

Troubleshooting (continued)

- **Smoke entering the room from the firebox when the door is open may be caused by**
 - Insufficient length of flue (flue to be 4500mm minimum underneath the base of heater to underside of cowl)
Increase height of flue
 - Flue downdraught
Consult dealer or increase height of flue.
 - Creosote buildup in flue
Remove cowl and clean flue as per cleaning instructions. Check moisture content of wood.

- **Excessive ash build up**

Some woods will give large amounts of ash despite how you run the heater. Others will give you very little. Use the wood which is most convenient for you as long as it is dry. After a period of time you will get to know when to empty your unit. Bark will give you excessive ash. Try not to burn it.

If you are burning wood that gives you charcoal, you may find that after running the heater say for 8 hours at maximum burn rate, the charcoal builds up excessively. Overnight burn will reduce this charcoal back to a fine ash. If you are not ready to shut down for overnight burn when you next fuel the stove, load the stove with only one piece of wood and lay it across the firebox on top of the charcoal. Open the air control wide open and you will find the charcoal will burn down with the one piece of wood. Repeat the process until the ash level is significantly reduced.

WARRANTY

- Subject to clauses 2 & 3 of this Warranty, A.F. Gason Pty Ltd ACN 004 667 556 (Gason warrants the following components of its heaters against defects in workmanship and/or materials for the following periods from the date of purchase:
 - the firebox for ten years;
 - the paint finish for a period of twelve months if the Purchaser has followed the instructions provided by Gason in the Operation and Installation Instructions manual; and
 - all other components for twelve months except the glass, fire brick lining or baffle plate if, in the opinion of Gason, these items have been damaged by impact.
- This extended warranty does not apply;
 - if the heater is purchased from a person who has not been authorised by Gason to sell its products;
 - if, in the opinion of Gason, the heater or any other component has been subject to abuse, misuse, alteration, modification or has not been installed, operated or maintained in accordance with the instructions provided by Gason; or,
 - to owners other than the original Purchaser.
- If you believe that the heater you purchased contains a manufacturing defect and you wish to make a claim under this Warranty, please contact an authorised Gason service centre to arrange for an assessment.
- If, after assessing the heater, Gason determines that the heater contains a manufacturing fault, Gason may at its discretion:
 - replace the heater;
 - repair or replace specific components of the heater; or
 - provide a full refund.
- Parts replaced under warranty are warranted for the balance of their original warranty period.
- If, at the discretion of Gason, the heater or any part needs to be replaced, serviced or repaired at an authorised Gason service centre, then the person claiming under this Warranty must pay all costs associated with:
 - returning the heater; and
 - the delivery or collection of any new or repaired heater.

Our goods come with guarantees that cannot be excluded under the Australian Consumer Law. You are entitled to a replacement or refund for a major failure and for compensation for any other reasonably foreseeable loss or damage. You are also entitled to have the goods repaired or replaced if the goods fail to be of acceptable quality and the failure does not amount to a major failure.

Any benefits you receive under these warranties are in addition to other rights and remedies that you may have as a consumer under a law in relation to the heater to which these warranties relate.

These warranties are given by:

A.F. Gason Pty. Ltd.
Blake Street
Ararat VIC 3377

Please contact us if you have any queries on:

Phone: 03 97633200

or email us via the "Contact Us" section of our website: www.gason.com.au

Jindara[®]
Heating
A Division of A.F. Gason Pty. Ltd.



Hamersley Mk3 Insert

Operation & Installation Instructions

Rev*

Please keep these instructions for future reference.

236079



Read and follow these instructions carefully before installing and using this appliance

SAVE THESE INSTRUCTIONS



Safety Warnings

- A flue fire with resulting damage may occur if the appliance is not installed, operated and maintained as per this booklet.
- Never place combustible materials such as wood, paper or furniture near the appliance.
- This appliance is designed to burn dry hardwood. Do not burn rubbish, driftwood, flammable liquids or any substance containing salts or corrosives.
- This appliance must not be installed and operated in an area where kerosene, petrol, paint thinner or other flammable liquid is used or stored.
- The flue system must be inspected and cleaned annually or sooner if required. Failure to do so could result in an excessive build up of creosote which may result in a flue fire which may damage the flue or cause damage to your home.
- The surface of the appliance becomes hot during operation. Do not touch the surface of this appliance. Keep children away from this appliance during operation. Do not allow anyone to operate this appliance who is not familiar with this instruction booklet.



Paint Curing and Care

Your heater is coated with the best available heat resistant paint. Even though the paint has been baked after application, it may require further temperature curing. It may, if you overfire the heater on its first fire, discolour. For your first two or three firings, never exceed the medium air setting and always have the fan on when above low burn. Do not wipe the heater while the paint is curing. After the paint has cured the only maintenance required to maintain the heater's finish is to wipe it with a soft cloth. Do not use any commercial cleaners or solvents on the paint finish.

We are proud of the presentation of our products. If at any time you need to freshen up the paint, your local dealer has touch up paint available for purchase. You may even change the colour of your heater if you wish.

If you have any enquiries, please contact the dealer from whom you purchased your heater:

PLEASE COMPLETE:

Dealer Name _____

Dealer Address _____

Phone: _____

Please attach your original purchase dockets to this booklet for future reference.

Operating your Jindara Wood Heater (continued)

Door handle adjustment

When the door gasket become loose and leaking occurs it is necessary to adjust the door handle.

- Ensure heater is cold – open door.
- Undo M20 locknut, note that roll pin may need to be offset.
- Unscrew hex head screw in door handle shaft.
- Rotate handle shaft anti-clockwise – 1 turn = 1 millimetre of adjustment.
- Replace M20 locknut.
- Centralize roll pin.
- Close door, engaging handle to check for seal
- Trying to rip a small piece of paper inbetween door rope and firebox will help determine if sealing is sufficient. If paper is removed without resistance, repeat adjustment process until resistance is achieved.
- Replace hex head screw when adjustment process is complete.

Troubleshooting

Noisy Fan

Turn the power off and remove the three pin plug from the power point. Remove the two screws that hold the front fan access panel. Remove the panel. Disconnect the wiring loom via the plastic joiner. Unscrew the two nuts which holds the fan in position and remove the fan. Clean any dust with a dry paint brush and vacuum the fan blades. Clean around the motor. After completion place two or three drops of sewing machine oil on the shafts at the bearings. Replace the fan in reverse to the removal.

Fan not working

Check the power connection with another appliance. If the power point is okay assume the fan or the switch is defective. Isolate the power as above. Check that the terminals on the loom and the switch are firmly connected. If the fan then fails to function, remove the fan and switch by firstly removing the knob off the fan switch by pulling it away from the heater. Undo the holding nut and pull the switch out. Disconnect the wiring from the power lead and remove the fan and switch. Convey the same to the authorised Jindara dealer from whom you purchased your unit for service. Replace in the reverse order.

Air Control Jamming

Lift up and remove the top plate. Remove the air control knob by turning anti-clockwise. Lift air control panel out of the way. There are three bolts holding the air slide in place. Undo them and remove the air slide. Wipe any ash or dust that may have accumulated on the back of the air slide or on the face of the heater. If any burrs have developed on the back of the air slide or on the face of the heater, rub them off with fine wet and dry sand paper till you have a smooth surface and edges. Replace the air slide and make sure the washers, spacers and springs are on the bolts when you screw the bolts back into the face of the heater. Do not apply any type of lubricant to the air slide whatsoever as this will attract dust and make the slide stick.

No Overnight Burn

Remove the air slide as per air control jamming and check that the air slide is hard against the face of the heater. If it is loose, tighten up the bolts holding the air slide to the face of the heater. Do not overtighten. Check that the door rope has an even indentation from the sealing strip, which is on the face of the firebox. If it is uneven and it appears as though air could leak through the seal, adjust the thickness of the door rope to suit. Stretch the rope to make it thinner where the indentation is the heaviest and bunch up the excess where the indentation is smaller. The door may become loose through the door seal shrinking. Refer "Door handle adjustment" instructions above.



Overfiring

NEVER OPERATE THE HEATER WITH THE DOOR LOOSE OR NOT AIR TIGHT. OVERFIRING COULD RESULT IN DETRIMENTAL WEAR AND TEAR ON THE FIREBOX.

Operating your Jindara Wood Heater (continued)

Cleaning the glass

Generally the only time you will possibly need to clean your glass is after a long overnight burn. If you find that you have a wet sticky black film on your glass (creosote), it is better to burn the heater as normal for one load of wood. When the wood has burnt down to a hot bed of embers, open the door and leave it wide open until the glass cools sufficiently to be wiped with a damp cloth. This should clean all the white smoky film off the glass. Creosote on the glass is normally a sign that you have tried to get too long an overnight burn or you have burnt excessively wet or green wood. If the film on the glass won't come off with a wet cloth, you can use wet ash from the ash bed as a cleaner or commercial products such as Crystal Clear, Johnson Foam Clean or Windex.

Normal Operations

When you get up in the morning, open up the air control of the heater to high position to start the embers glowing. Place some wood on top of the embers and leave the door open 25mm. Once the fuel starts to flame close the door. As the heater starts to heat up turn the fan on to low, (approx 20 minutes) and begin reducing the air control towards a lower setting.

You will find with the fan on low you will only need to run the heater between low and medium to maintain the temperature you desire in your home. To obtain the maximum heat dissipation from the heater it is necessary to run the fan at any time the heater is running above the low position.

For best results it is best to burn 290mm long wood and load your wood straight into the firebox front to rear. This will give optimum efficiency and recoverable heat, and minimise creosote formation and smoke emissions.

Overnight burn

Approximately 30 minutes before turning the heater down to overnight burn it is recommended to load the heater with fuel for the overnight burn. Leave the air control in the medium to high position. Let the heater run for about thirty minutes. This will reduce the moisture content in the fuel before shut down. (This will help reduce the creosote formation in the firebox and flue.) Set the air control to the setting you have found best for your requirements. Turn the fan off and retire. The aim when overnight burning is to have only a few hot embers left in the bottom of the firebox in the morning, not huge lumps of wood.



WARNING

Operation of the fan

If firebox failure is reported and it is found that the firebox has been abused through improper use of the fan, Jindara reserve the right to disallow any warranty claims in relation to firebox failure.



WARNING

The Door

Leaving Door Open

As stated previously in relation to leaving the door open 25mm to encourage the fire to pick up at a faster rate, your heater has been tested to ensure that no structural damage can take place if the door is inadvertently left open. However your paint finish can be damaged if the door is left open for a long period with a full firebox of fuel with the fan off. Closely supervise your heater while the door is left open.

Closing the Door

Always ensure that before you close your door there is no wood protruding beyond the front of the firebox opening. Do not use the door glass as a 'battering ram' to push the wood back into the firebox. Damage to the glass by such impact is not covered by your warranty.

Installation



WARNING

Installation

This heater is to be installed into a masonry fireplace or a Jindara ZCV Clearance cabinet.
 THE INSTALLATION OF THIS APPLIANCE MUST BE CARRIED OUT AS PER THIS MANUAL AND THE FLUE MANUFACTURER'S SPECIFICATIONS.
 WE RECOMMEND THAT YOU USE A QUALIFIED INSTALLER TO CARRY OUT THE INSTALLATION.
 If you have any other enquiries, please contact the dealer from whom you purchased your heater.
 THIS APPLIANCE WEIGHS IN EXCESS OF 140 KILOGRAMS. EXTREME CARE SHOULD BE TAKEN WHEN HANDLING THE APPLIANCE.

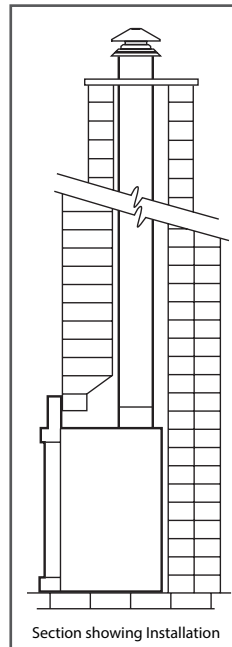


Figure 1. Masonry Installation

AF Gason Pty Ltd accepts no liability whatsoever for any interpretation of AS/NZS 2918:2001. It is important you understand these installation instructions, and minimum clearances to combustibles before installing your Jindara Hamersley Insert.

All dimensions used in this document are in millimetres and are minimum unless otherwise stated. These dimensions state the minimum distance the Jindara Hamersley Insert can be placed in relation to any combustible materials – plaster, wallpaper, timber, MDF etc.

Installation Permit

Depending on your local authority requirements, a permit may be required for the installation of your heater. It is your responsibility to arrange the same.

Installation into existing or masonry fireplace

The Jindara Hamersley Insert can be installed into a masonry fireplace with a flue system that is in accordance with the relevant sections of AS/NZA 2198:2001. No combustible or heat sensitive material may be placed closer than 975mm from the top of the hearth/base of appliance and 150mm either side of the appliance's fascia.

In a masonry fireplace installation, the minimum hearth depth of 600mm from the front of the fascia panel must be achieved. In the instance the fireplace is raised above a combustible floor, and it is desired to reduce the hearth depth, please refer to the elevated installation instructions on page 7 for hearth reduction information.

For detailed mantle clearance dimensions, refer Figure 4.



WARNING

Brick Removal

IF BRICKS REQUIRE REMOVAL WHEN PREPARING THE FIREPLACE, ENSURE THAT YOU DO NOT EXPOSE COMBUSTIBLE MATERIALS BEHIND THE BRICKWORK OR WEAKEN THE INTEGRAL STRUCTURE OF THE CHIMNEY.

Installation (continued)

Clearance to combustibles & Gason Zero Clearance Box (ZCV) installation

The Jindara Hamersley Insert conforms to AS/NZS 2918:2001 Appendix B, when the appliance is placed in relation to combustible surfaces. For additional clearance details, or to access the Jindara Hamersley Insert thermal clearance test report – HCMG-15-067 – please contact the Jindara dealer from whom you purchased your heater.

The Gason ZCV box is an approved cabinet that allows certain Jindara Insert wood heaters, in conjunction with a triple skin flue system to be installed within a non-masonry fireplace in accordance with AS/NZS 2918:2001.

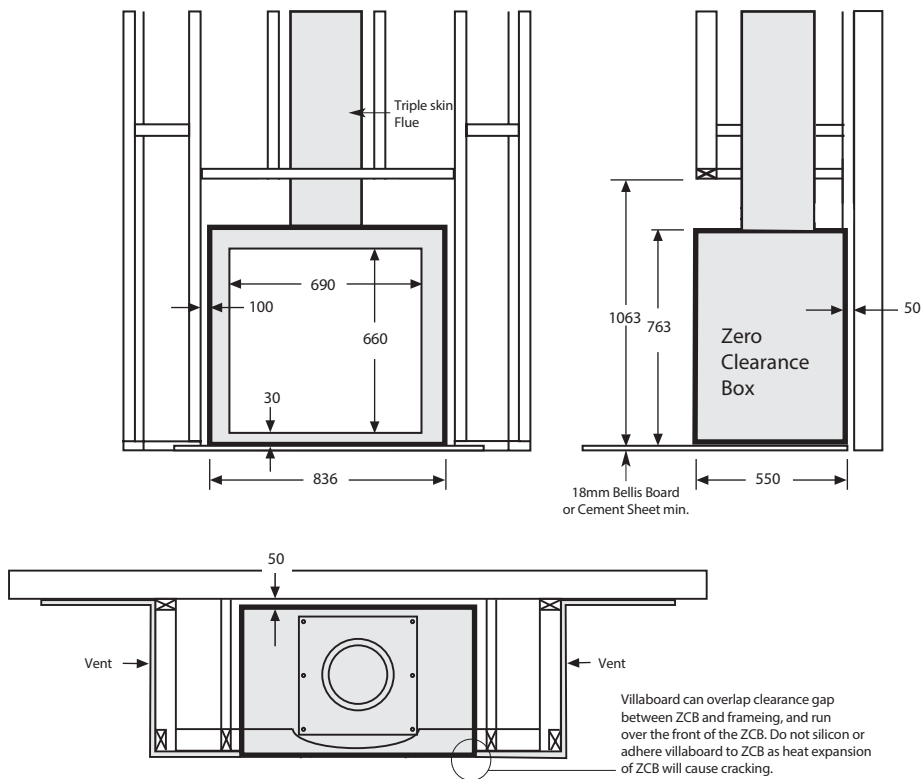
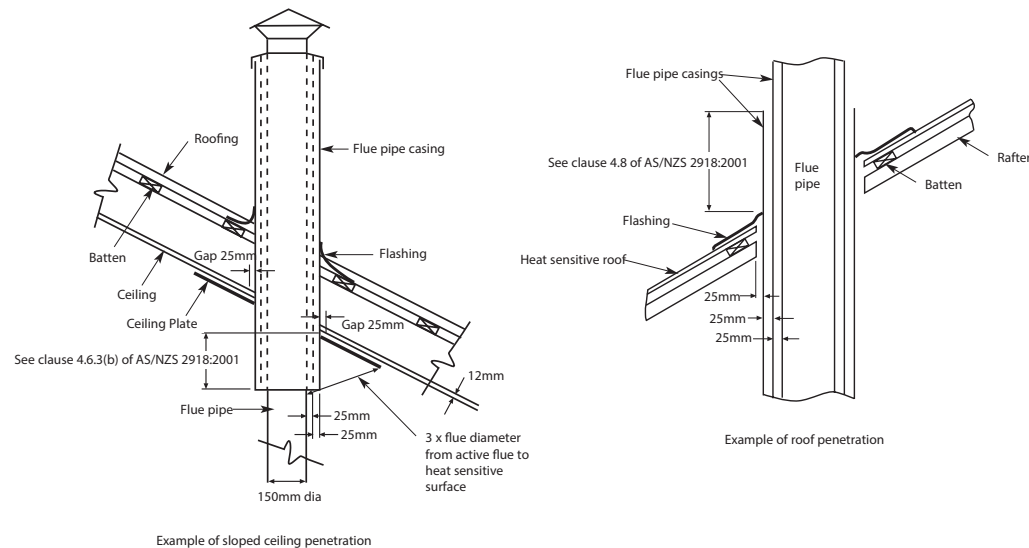


Figure 2. ZCB Installation detail

Installation (continued)



Operating your Jindara Wood Heater

WARNING
Read these instructions

DO NOT ATTEMPT TO OPERATE THIS APPLIANCE WITHOUT READING AND UNDERSTANDING THESE OPERATING INSTRUCTIONS THOROUGHLY. FAILURE TO OPERATE THIS APPLIANCE PROPERLY MAY CAUSE UNDUE DAMAGE TO THE APPLIANCE OR RESULT IN A FLUE FIRE.

Starting your fire

Place a firelighter or paper in the bottom of the firebox and place a large amount of small kindling on top. Ignite the paper or the firelighter. Set the air control to high and leave the main door open approximately 25mm. When the kindling is burning, place about four pieces of small wood on top of the burning kindling. Once the wood is alight, close the main door. After approximately 20 minutes, turn the air control down to medium and turn the fan on to low speed.

On the initial fire-up you may detect smoke coming from the paint finish and from any oils that may be on the steel on the outside of the firebox. This is normal. It is suggested to well ventilate your home on the initial fire up. Please refer to our section 'Paint Curing and Care'.

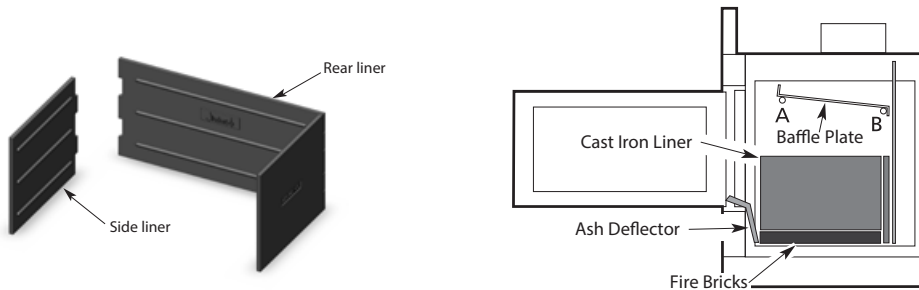
The glass door

Always operate your heater with the door closed and locked. The only time you can leave the door open is on initial lighting, or when reloading the heater.

Care of your glass

If you are burning good dry hard wood, you will have very little discolouration of your glass in a normal burning cycle. If you aim for an overnight burn, you should not get much discolouration. You can control this by adjusting the air control, moving from the left and slowly creeping the control to the right. After a number of days you will find the right position to suit your requirements and the fuel that you are using.

Installation (continued)

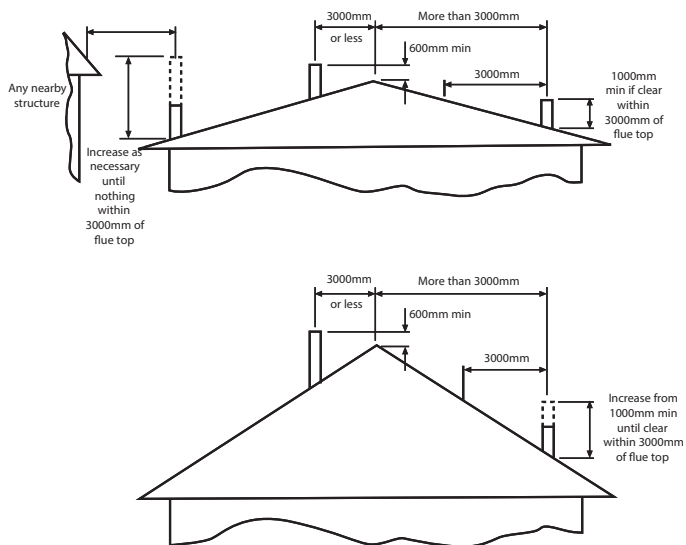


Final inspection prior to use

- Ensure the baffle plate is firmly located.
- Ensure cast iron liners – side and back – are positioned correctly.
- Ensure fire bricks are sitting flat and covering entire base.
- Ensure ash deflector is positioned correctly.
- Check fan cord has not been damaged during transit.
- Plug in fan cord and ensure cord does not touch stove surface.
- Check all door seals are fitting correctly.

Flue and chimney requirements

The flue pipe shall extend not less than 4.6m above the top of the floor protector. Note: Installation must be carried out by a licensed installer in accordance with AS/NZS 2918:2001.



Installation (continued)

ZCV installation notes

- Select the position that you wish to install your ZCV, carefully allowing for flue clearances of 305mm in the roof cavity (the outer flue being 255mm requires a 25mm clearance on either side to combustibles, making overall clearance of 305mm).
- Place hearth (cement fibre sheet) under the position desired for the zero box. Place the zero box into position.
- Fit flue upstands to zero box.
- Fit flue to the upstands and terminate at the required height above the roof line.
- Fit 300mm x 100mm vermin proof vent directly behind where the zero box will be located, as near as practicable to the floor. This vent will allow air access to the zero box either from another room or external air. Note: If installed on a timber floor, an additional two vents are required. i.e. either through the floor, one each side of the ZCV, or alternatively, through the side wall(s) if applicable.
- Build your frame around the ZCV maintaining the clearances listed above.
- Cover the front with a 4mm cement sheet or non-combustible material for the first 300mm above the appliance.
- Insert your Jindara Hamersley Insert into the ZCV. It is important that the base of the appliance is sitting on 2x galvanized C-section strips supplied with ZCV. These strips allow a correct installation height and fresh air to circulate around the appliance base.
- Install the mantle if required. Note: If mantle is made out of combustible material the following dimensions must be adhered to.

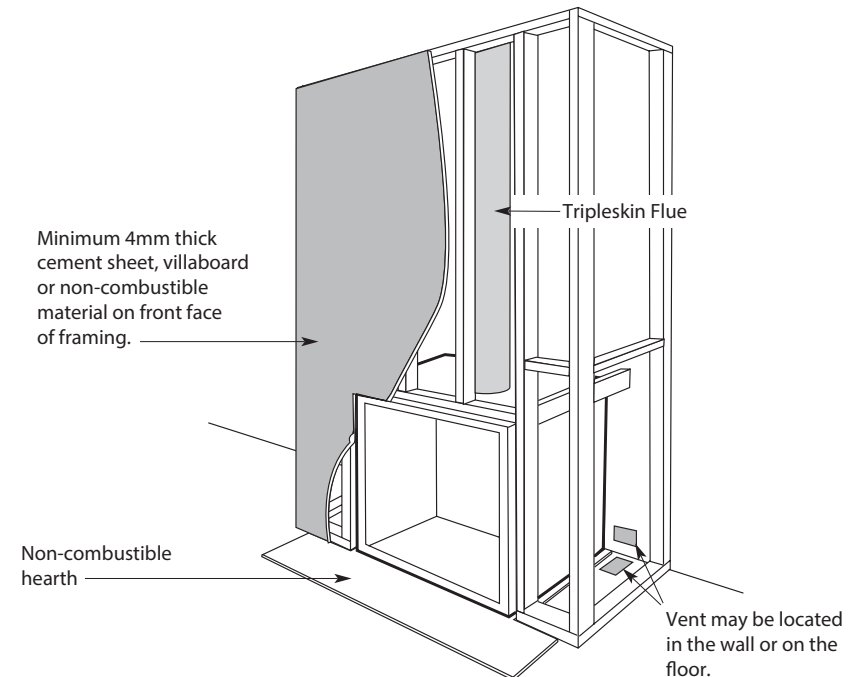


Figure 3. ZCB Installation Step 1.

Installation (continued)

Mantle Clearances

A	B	C	D
1225	975	150	250

Minimum hearth sizes

Hearth Depth	Width	Depth Overall	Thickness
600	1000	1300	18

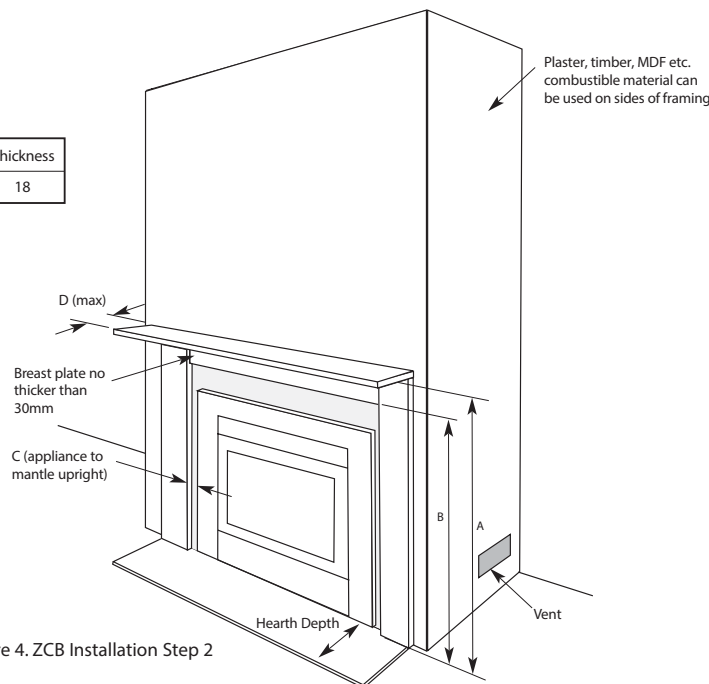


Figure 4. ZCB Installation Step 2

Elevated installation details

Minimum Hearth Depth	Appliance raised by
X	Y
600	0
575	25
550	50
525	75
500	90
475	110
450	130
425	145
400	160
375	175
350	185
325	195
300	205
300	≥205

Table 1. Appliance height vs hearth requirements

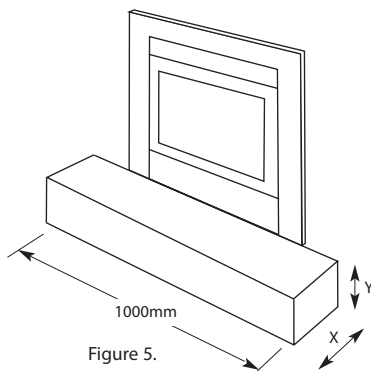


Figure 5.

Installation (continued)

Elevated installation

Masonry

In some instances it may be desirable, or required that the Jindara Hamersley Insert wood heater be installed into an existing fireplace which is raised above a combustible floor. In this situation, the minimum required hearth can be reduced to the corresponding elevated height dimensions mentioned in Table 1.

Scenario 1 – If the appliance is installed onto a non-combustible fireplace (or step), which is 120mm above a combustible floor, the minimum required hearth depth is 475mm. (refer Table 1.)

Scenario 2 – If the appliance is installed onto an existing non-combustible fireplace (or step) 80mm above a combustible floor, and the existing fireplace (or step) extends 350mm in front of the appliance’s fascia, some additional hearth may be required.

Using Table 1, the closest minimum height related to 80mm is 75mm. The reflective hearth depth required for a raised installation of 80mm is 525mm.

For this installation to conform with AS/NZS2918:2001, a minimum 175mm of 18mm thick villaboard (or similar non-combustible material –Bellis Board, tiles etc.) must extend in front of the fireplace (or step) to achieve a combined hearth depth of 525mm. It must also include a minimum overall width of 1000mm.

ZCV

It is essential that the information contained in the ZCV installation notes (page 5) are followed to ensure safe and correct installation is achieved. By raising the ZCV (with the Jindara Hamersley Insert inside it), the minimum hearth depth in front of the appliance fascia can be reduced in accordance with Table 1. In the instance the ZCV is raised, any structured used to support the appliance must be constructed of non-combustible material and withstand the combined weight of the Jindara Hamersley wood heater and ZCV.

When the appliance is raised 209mm or more above a combustible floor, a 300mm non-combustible hearth or floor protector is always required as per AS/NZS 2918:2001.

Fitting the Baffle Plate - Ref. page 8.

1. Feed baffle plate through the door opening with front edge folded up, feeding plate all the way to the rear of the heater.
2. Lift front over Pin A and slide towards front of heater.
3. Lift rear so baffle plate is horizontal and move towards back of heater.
4. Lower over Pin B.
5. Baffle plate must be sitting on Pins A & B.

Placement of Cast Iron Liners into firebox- Ref. page 8.

The rear cast iron liner is to be positioned to the rear with rib and logos facing into the firebox. Side cast liner are to be positioned on the appropriate side and interlock into the rear cast plate. Fire bricks can then be installed.

Placement of Fire Bricks into firebox - Ref. page 8.

Fire bricks must be sitting flat on the bottom of the firebox, covering base.

Placement of Ash Deflector into firebox - Ref. page 8.

After cast iron plates and fire bricks are fitted correctly into position, slide ash deflector inbetween the cast plates and down in front of the fire bricks. The deflector should be positioned such that the 100mm leg is placed within the firebox, and the 50mm leg faces towards the door to prevent ash build up on the door.