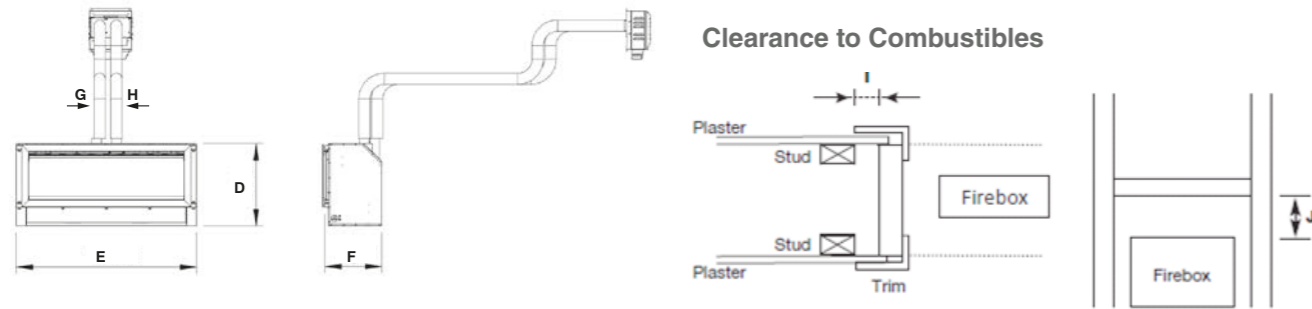
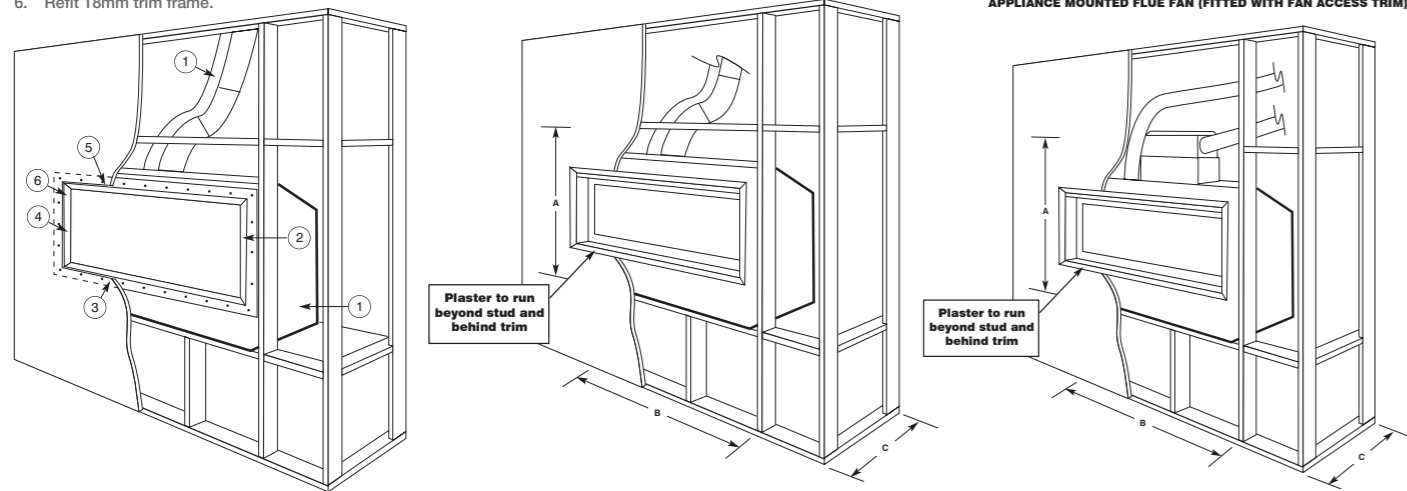


# ELEMENT 1200

1. Install Element 1200 onto base and connect flue, gas and power.
2. Fit 18mm trim frame.
3. Locate 4 sided flange kit.
4. Remove 18mm frame.
5. Clad wall to flange kit and finish.
6. Refit 18mm trim frame.



	A	B	C	D
1200	660 (880)	1420	460	625

(880) for unit mounted fan. All measurements in millimetres (mm)

E	F	G	H	I	J	K	TRIM	L	M
1405	455	83	83	25	25	25	50mm	1270	469
							18mm	1208	405
							BB	1434	850

Mj/h			kW			Star Rating			GPO	Ventilation
NG	LPG	ULPG	NG	LPG	ULPG	NG	LPG	ULPG	Required	
37	33	33	9.2	7.7	7.7	4.9	5.2	5.2	10 amp	Not Required



### Head Office, Factory and Showroom:

Scoresby VIC  
1340 Ferntree Gully Road  
T 03 8706 2000  
F 03 8706 2001

Free on site advisory service  
[www.realflame.com.au](http://www.realflame.com.au)

Richmond VIC  
300 Swan Street  
T 03 9428 4443

Dandenong Sth VIC  
3/328 Sth Gippsland Hwy  
T 03 9702 7853

Geelong VIC  
2a Gordon Avenue  
T 03 5229 0844

Chatswood NSW  
546 Pacific Highway  
T 02 8905 0189

Miranda NSW  
36 Kareena Road  
T 02 8513 6202

Norwood SA  
173 Magill Road  
T 08 8132 0371

Osborne Park WA  
47-53 McDonald Street  
T 08 9444 9900

Milton QLD  
46 Douglas Street  
T 07 3368 2011

Fyshwick ACT  
88 Wollongong Street  
T 02 6280 5522

Ulverstone TAS  
31a Victoria Street  
T 03 6425 4440

**Warranty:** Provided your Real Flame Gas Fire is installed by a licensed Gas Fitter in accordance with our installation instructions and any other relevant codes and operated in accordance with our operating manual, your firebox is warranted for a period of 15 years and all other parts for 2 years from date of purchase. Refer to our web site or our IOM's for a comprehensive warranty.

Available from:

A professional resource and buyers guide

# Element 1200



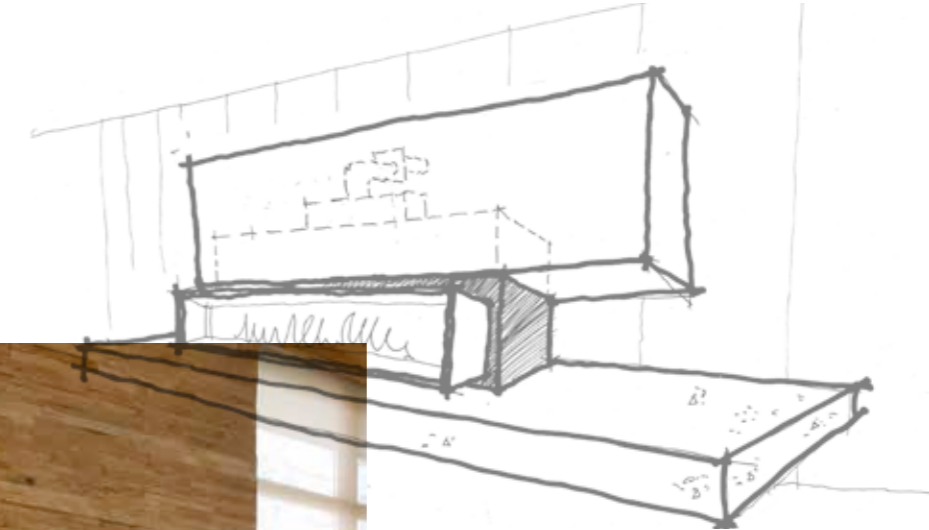
[www.realflame.com.au](http://www.realflame.com.au)



## A BREATHTAKING ADDITION TO ANY SPACE

The Element 1200 is simply breathtaking with its clean lines, beautiful flame pattern and multiple media options. With an impressive star rating and the latest in power balanced flue technology it makes it the perfect package for the discerning buyer. The Power Flue allows total flexibility during installation in two storey homes, apartments and commercial projects.

A full remote is standard giving the owner complete control of the fire. The Element also has wifi capability with an app enabling operation of your fire from your smart device so the room is nice and cosy for when you get home!



- 🔥 Power balanced flue
- 🔥 New Application
- 🔥 Natural gas, LPG or ULPG
- 🔥 Up to 5.2 star efficiency
- 🔥 Full remote control function
- 🔥 Double glazed space heater.
- 🔥 1200 heats up to 110m2
- 🔥 Driftwood, Pebbles or Log and Coal media options
- 🔥 WiFi compatible
- 🔥 Conceived, designed, researched, developed and built in Australia

