

Read and follow these instructions (in conjunction with the Jewel / Spectre Freestanding manual) carefully before installing this appliance.

**SAVE THESE INSTRUCTIONS**

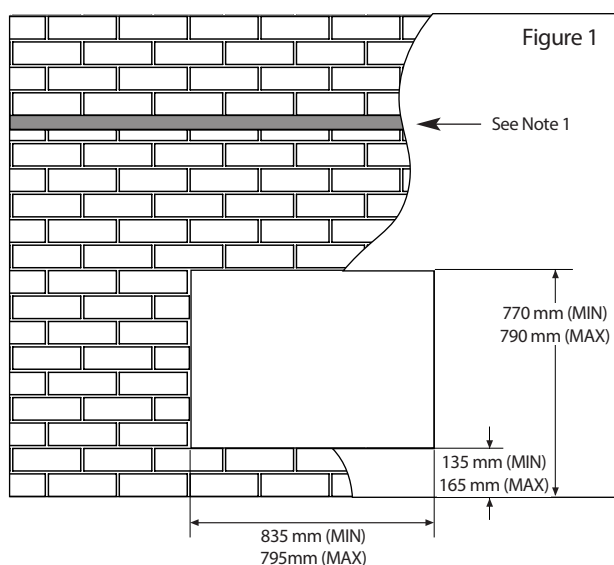
- The installation of this appliance must be carried out as per the manual and the flue manufacturer's specifications. We recommend that you use a qualified installer to carry out the installation.
- Default clearance values and flue requirements specified in AS/NZS 2918-2001 must be used for any clearance values not given in these instructions.
- If in doubt, do not hesitate to contact your local Jindara or Eureka dealer.
- This appliance weighs in excess of 230 kilograms. Extreme care should be taken when handling the appliance.

### Hole cutting dimensions & clearances to combustibles

- This thru-wall kit is designed for use with non-combustible walls, with a total thickness ranging between 100mm and 230mm.
- Note that the wall section below the appliance fascia on the insert side is filled, as per figures 1 & 2. If using standard size bricks in this section, bricks will need to be cut to a thickness of less than 90mm with a recess on the underside of the bottom row, as per figure 2.
- This is only required in the lower fill section, for a width of no less than 640mm, central to the cut-out. This is to allow the base of the freestanding unit to protrude far enough through the wall for the fascia to be positioned correctly in the insert side.
- All vertical distance measurements given are taken from the base of the appliance (top face of the floor protector).

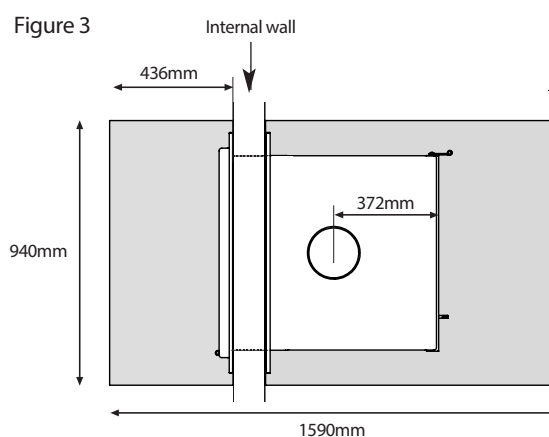
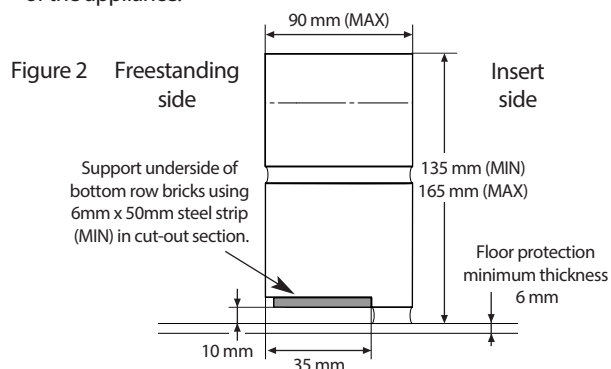
Note 1: If present, a combustible mantle shelf must be positioned a minimum of 500mm above the appliance hot air outlet.

Note 2: Combustible internal wall framing must not be installed less than 475mm above the appliance top plate.

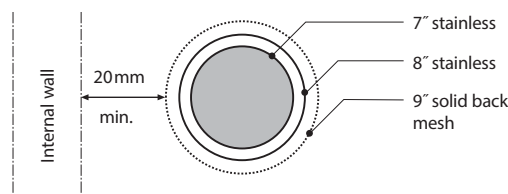


See Figure 2 for cross section of lower wall fill section.

- A minimum 1590mm x 940mm floor protector with a minimum thickness of 6mm must be installed under the appliance, as per figure 3.
- The floor protector must extend a minimum of 420mm from each appliance door and 155mm from the pedestal base on either side of the appliance.



These must be used to make the installation conform.



NB: First flue height 4600 mm (+/- 300mm) from floor protector



### Minimum flue requirements

This Heater has been tested to AS2918:2001 Appendix B. Test Report No. ASFT18004 - 1 using an Australian Standard flue kit. For the through wall installation additional 8" stainless is to be fitted over the 7" stainless active flue, then a 9" mesh flue shield installed to ceiling height. (See diagram opposite)

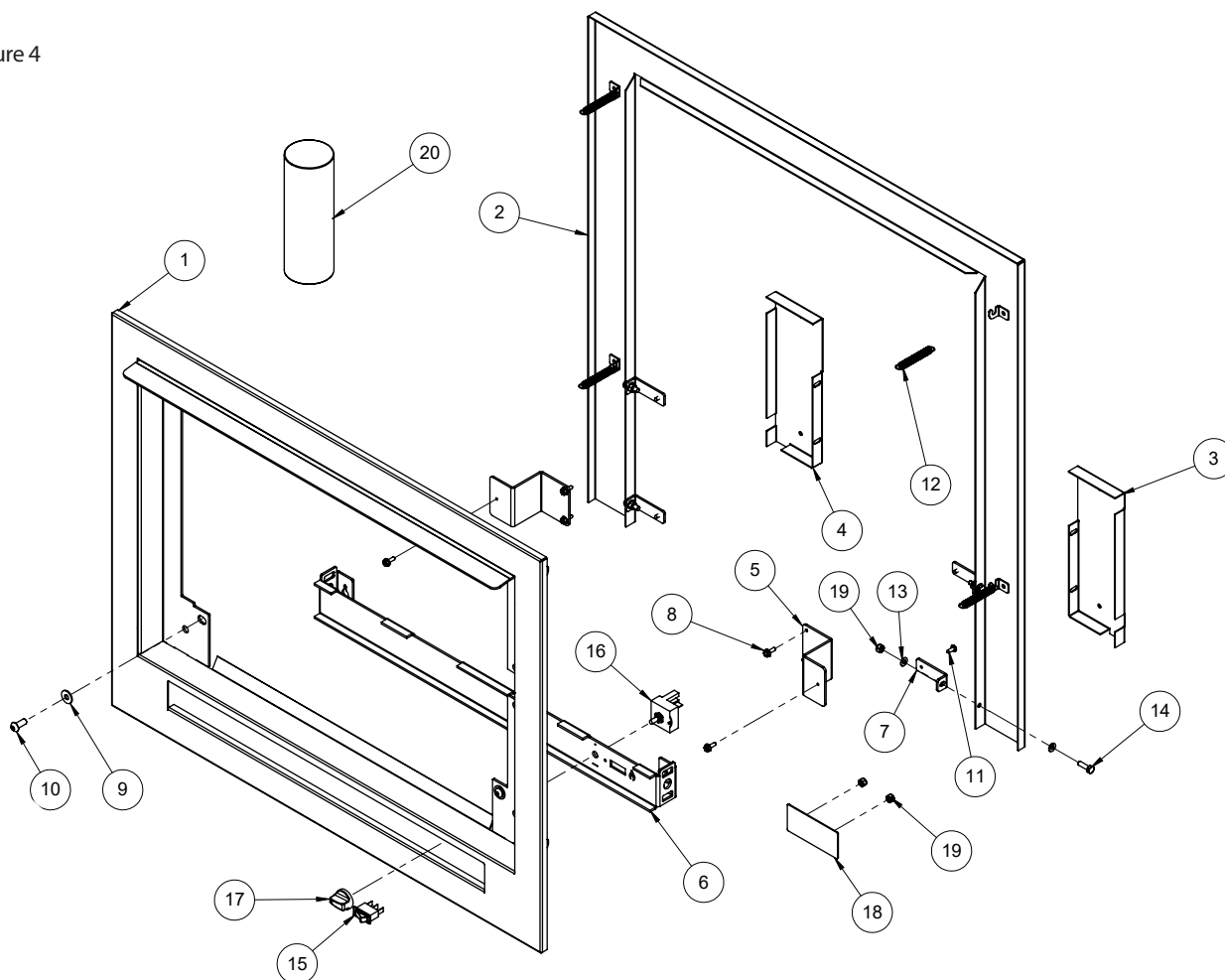
## Parts

Ref.	Description	Qty.
1	Insert Fascia Panel	1
2	Freestanding Fascia Panel	1
3	Side Fill Panel L/H	1
4	Side Fill Panel R/H	1
5	Front Fill Panel Mount	2
6	Front Fill Panel	1
7	Side Fill Mount Bracket	4

Ref.	Description	Qty.
8	Tek Screw 10-16 x 16mm	6
9	Washer Flat M8	4
10	Cap Screw M8 x 20	4
11	Screw P/H	4
12	Retaining Spring	4
13	Washer M6	12
14	Bolt M6 x 20	6

Ref.	Description	Qty.
15	Switch - 2 Position	1
16	Switch - 3 Position	1
17	Switch Knob	1
18	Blanking Panel	1
19	Nut Nyloc M6	8
20	Paint - Metallic Black	1

Figure 4

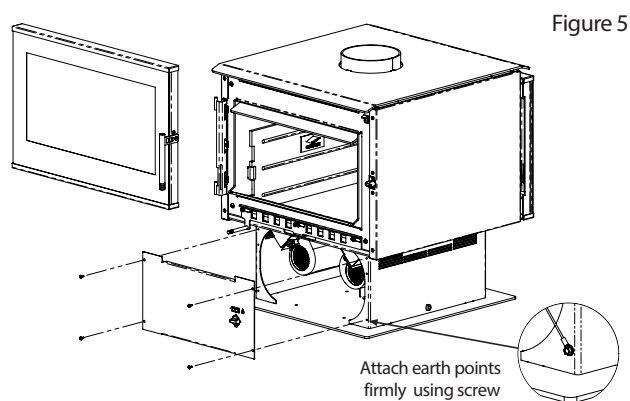


## Step 1

- Ensure that the power lead of the appliance is disconnected.
- Remove the door from the appliance, at the end being installed through the wall.
- Note that if fan controls are intended to be installed on the thru-wall face if the installation, the door at the end of the appliance with fan controls in the pedestal base should be selected for this step. Refer to figure 5.

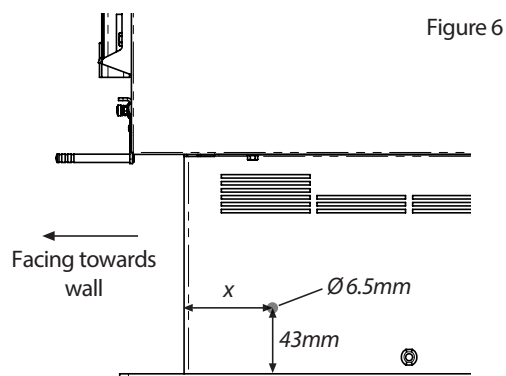
## Step 2

- Remove the pedestal fill panel from the base of the appliance, at the end being installed through the wall.
- Disconnect fan harness connectors from the switches housed in the fill panel and secure the earth wire eyelets to the pedestal base, at the point shown in figure 5.



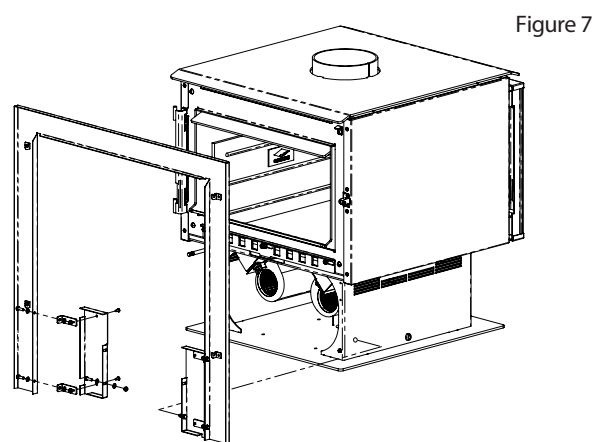
## Step 3

- Measure the thickness of the wall that the heater is being installed through. Using this measurement, determine value ( $x$ ) using the following equation:  
 $x = \text{wall thickness} - 96\text{mm}, (\pm 2\text{mm})$
- Referring to figure 6, measure distance  $y$  from the front of the pedestal base at the side pointed towards the wall. Mark and drill a 6.5mm hole at this point, 43mm above the pedestal base on both sides of the appliance.



## Step 4

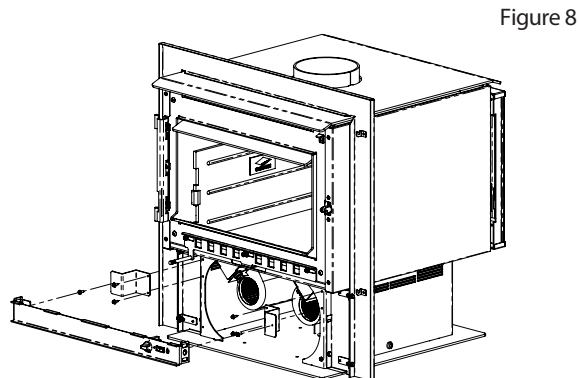
- Fit the freestanding side fascia over the heater, in line vertically with the holes drilled during step 3.
- Using the supplied M6 fasteners and self tapping screws, secure the rear fascia fill panels and mount brackets in position, as per figure 7.
- Take care not to scratch painted surfaces during this step.



Component assembly.  
Refer to page 2 for component identification.

## Step 5

- Fit the fill panel mounts using tek-screws supplied, as per figure 8.
- Connect the fan control switches (already fitted to the fill panel), ensuring connections are made as per the diagram in appendix A. Ensure that all wiring is secured and unable to be caught in fans or be crushed/rubbed through on heater panels.
- Secure the fill panel to the panel mount brackets.
- The easiest way to do this is to drive the tek-screws into the panel mount brackets until they are around 4mm from fully seated. Press the fill panel over the heads of the screws and push down, locating the screws in the cut-out slots. Tighten the tek-screws the rest of the way using a spanner. Refer to figure 9.

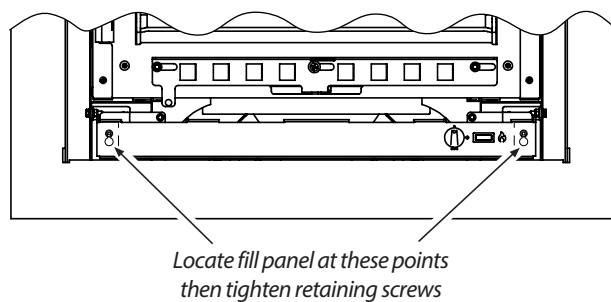


Component assembly.  
Refer to page 2 for component identification.

## Step 5 (continued)

- **Note:** If the fan controls have been left in the pedestal base on the freestanding side of the installation, remove the switches fitted to the fill panel and fit the blanking panel as per figure 10.

Figure 9



Locate fill panel at these points  
then tighten retaining screws

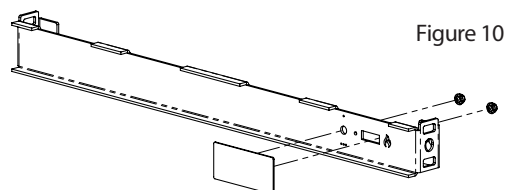
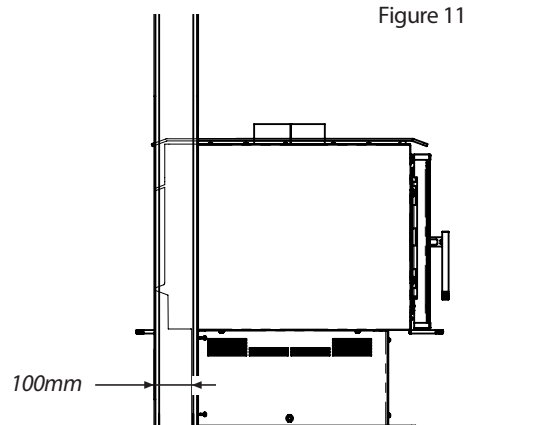


Figure 10

## Step 6

- Move the heater into position, central to the wall cut-out, as per figure 11.
- Position the appliance so that the lower ash lip is almost flush with the front face of the wall but is not quite protruding through. Measured distance from the front face of the wall to the pedestal front face should be 100mm.

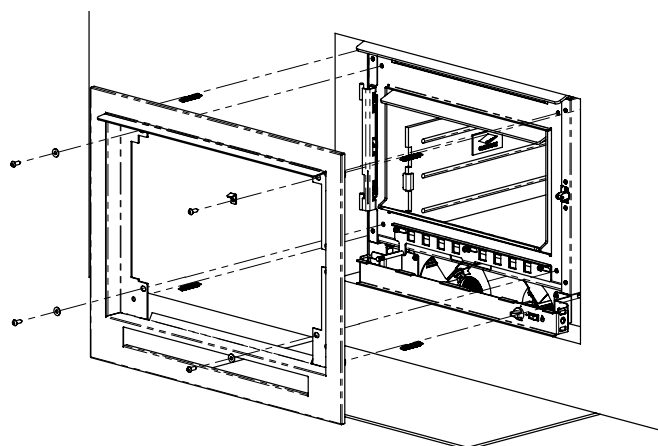
Figure 11



## Step 7

- Fit the insert side fascia panel, connecting the fascia panels on both sides of the wall with 4x retaining springs, as shown in figure 12.
- **Note:** It may be necessary to shorten the springs for walls thinner than 120mm.
- Secure the front fascia using 4x M8 button head bolts and washers, re-fitting the door rider plate over the fascia at the top right corner. Ensure that the fascia sits squarely and centrally on the appliance.
- **Note:** If the front fascia is protruding excessively from the wall, the heater should be shifted backwards to take up this gap. Do not attempt to adjust the fascia position by bending or shimming the fascia panel at its mounting points - This will likely interfere with door operation. The fascia on the freestanding side should be checked to ensure it is still sitting correctly after any adjustments are made.

Figure 12

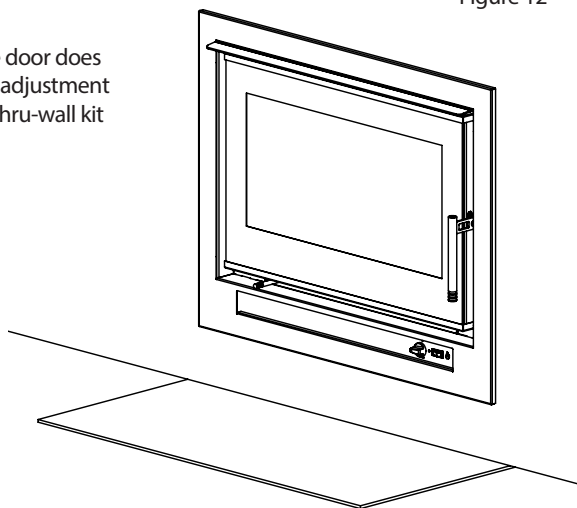


---

## Step 8

- Re-fit the door to the appliance, ensuring that it opens and closes correctly. If the door does not latch correctly, refer to the user manual supplied with the appliance for door adjustment procedures. If required, use the spray can supplied to touch up the paint on the thru-wall kit and the appliance, following the directions on the spray can.

Figure 12



---

Any enquiries contact the dealer from whom you purchased your heater.

PLEASE COMPLETE:

Dealer name:

Dealer Address:

Phone Number:

Please attach your original purchase dockets to this instruction book for future reference.



Phone (03) 9729 1422

Fax (03) 9729 1455

Gason Heating reserves the right to modify or alter specifications, materials, etc in the interests of product improvement.

**APPENDIX A - JEWEL/SPECTRE WIRING HARNESS & LEAD**

**Rotating Switch Connections:**  
Pin 1 – Brown (2 wire)  
Pin 2 – Black  
Pin 3 – Brown  
Pin 4 – Blank  
Pin 5 – White

**Rocker switch terminals**

3

2

1

**Flame to terminal 1**

**Thermostat 214289**

**Thermostat loom 231646**

**Brown LIVE from power cord to terminal 2 of rocker switch**

**Harness joiner ensure connector is fully covered by sheath**

**Twin Fan loom 214428**

**FAN 2 CONNECTOR**

**FAN 1 CONNECTOR**

**EARTH**

**Power Cord WS10078**

