



Greenfire® GF1500L Gas Fireplace

Owners & Installation Manual



MODELS: GF1500L-NG
GF1500L-LP
GF1500L-ULPG

LISTINGS AND CODE APPROVALS

These gas appliances have been tested in accordance with AS4553 / NZS5262 / NZS5266 and have been certified by the Australian Gas Association for installation and operation as described in these Installation and Operating Instructions.

Must be installed as per AS/NZS 5601-2013

Your unit should be serviced annually by an authorised service person.

www.regency-fire.com.au

WARNING:

If the information in these instructions are not followed exactly, a fire or explosion may result causing property damage, personal injury or loss of life.

FOR YOUR SAFETY

Do not store or use petrol or other flammable vapors and liquids in the vicinity of this or any other appliance.

Installation and service must be performed by a qualified installer, service agency or the gas supplier.

FOR YOUR SAFETY

What to do if you smell gas:

- Do not try to light any appliance.
- Do not touch any electrical switch.
- Do not use any phone in your building.
- Immediately call your gas supplier from a neighbour's phone. Follow the gas supplier's instructions.
- If you cannot reach your gas supplier, call the fire department.

Installer: Please complete the details on the back cover and leave this manual with the homeowner.

Homeowner: Please keep these instructions for future reference.

To the New Owner:

Congratulations!

You are the owner of a state-of-the-art Gas Fireplace by REGENCY®. The GF1500L has been designed to provide you with all the warmth and charm of a wood fireplace at the flick of a switch. The model GF1500L has been approved by AGA for both safety and efficiency. As it also bears our own mark, it promises to provide you with economy, comfort and security for many trouble free years to follow. Please take a moment now to acquaint yourself with these instructions and the many features of your Regency® Fireplace.

PAIRING THE REMOTE HANDSET AND CONTROL BOX ID CODE

The Remote Control Handset has a set of unique ID codes that is pre-programmed into its memory. This set of ID codes helps to differentiate one Remote Control Handset from another so that only the control box with a matching ID code will respond to the appropriate Remote Control Handset. To match the control box, the following steps are to be followed:

1. Ensure the Remote is switched OFF.
2. Remove main power to the control box.
3. Reconnect main power to the control box.
4. Press and hold the PROG and FAN buttons simultaneously. The temperature display will show the letters "LC" momentarily indicating the ID codes have been transmitted
5. The display will revert back to the normal off mode display.
6. Release both the PROG and FAN buttons.

The control box will only learn the Remote ID codes during the first 30 seconds after power is applied and will ignore this special command from the Remote after the first 30 seconds

Note: The pairing up process can be carried out by anyone.

Note: In addition; please also go to: www.regency-fire.com.au to see the pairing up video.

Pairing the Remote Handset + Control Box ID Code	2	Gas Pipe Pressure Testing	27
Copy of data badge	4	Wiring Diagram.....	28
Unit Dimensions	5	845 S.I.T. Valve Description	28
Important Message	6	Aeration Adjustment	28
General Safety Information.....	6	Conversion Kit from NG to LP/ULPG.....	29
Installation Checklist.....	7	Optional fan ducting kit installation	31
Locating Your Gas Fireplace.....	7	Log Set Installation	34
Clearances	8	Front Trim Removal / Installation	36
Mantel Clearances.....	9	Inner Panel Removal / Installation	36
Mantel Leg Clearances.....	9	Faceplate & Deflector Installation	37
Unit Assembly Prior To Installation	10	Screen & Inner Door frame Installation	38
Nailing Strips.....	10	Optional finishing Trim installation	39
Installation Access Panel.....	10	Operating Instructions	40
Framing Dimensions.....	11	Lighting Instructions	40
Optional Framing Kit.....	12	Shutdown Instructions	40
NON combustible Facing Installation.....	13	First fire.....	40
Framing & Finishing.....	14	Remote Control	40
Framing & Finishing.....	15	Summary Of Controls	40
Combustible Requirements	15	Fan Operation.....	40
Exterior Flue Termination Locations	16	Copy of Lighting Plate Instructions	41
Clearances	17	Normal Operating Sounds Of Gas Appliances	41
FLUE Restrictor settings.....	18	Resetting the unit.....	41
Flueing Introduction.....	19	Fan Service	42
Flueing Arrangement for Horizontal Terminations	19	Maintenance Instructions	43
Flueing Arrangements	20	General flue Maintenance	43
Horizontal Termination (Flex).....	20	Glass Gasket.....	43
Rigid Pipe Flueing Systems.....	21	Glass Door.....	43
Basic Horizontal & Vertical Terminations	21	Glass Replacement	43
Flueing Arrangement for Vertical Terminations.....	22	Troubleshooting	44
Direct flue zero Clearance top exit vertical flue Kit installation instructions GF1500L	23	Glass door Installation.....	45
Unit Installation with Horizontal Termination	24	Valve Tray Replacement	46
Unit Installation with Vertical Termination	25	Electronic components parts list.....	47
Unit Installation.....	26	Main Assembly	48
High Elevation.....	27	Accessories	50
Gas Line Installation.....	27	Warranty	52
Pilot Adjustment.....	27		

safety decal

This is a copy of the data badge that accompanies each GF1500L Direct Vent Gas Fireplace. We have printed a copy of the contents here for your review.

NOTE: Regency® units are constantly being improved. Check the badge on the unit and if there is a difference, the badge on the unit is the correct one.

COPY OF DATA BADGE

Regency Gas Fireplace			
Model	<input type="radio"/>	<input type="radio"/>	<input type="radio"/>
Gas Type	NG	LP	ULPG
Model	GF1500L-NG	GF1500L-LP	GF1500L-ULPG
Gas Consumption	50 MJ/hr	49 MJ/hr .	44 MJ/hr
Manifold Pressure	0.87kPa	2.49kPa	2.49kPa
Injector Size	1 x #29 3.40mm	1 x #47 1.95mm	1 x #49 1.05mm

Approval No. AGA 8240 G
Code AS4553 / NZS5262 / NZS5266

Electrical: 240V 50 Hz

919-581

Distributed by:
Western Australia:
Air Group Australia
28 Division St
Welshpool, WA 6106

Eastern Australia
Fireplace Products
Australia Pty. Ltd.
1 Conquest Way
Hallam, VIC 3803

New Zealand:
Aber Holdings
17 Main Street Place
Te Rapa, HA 3200

To be installed by an authorised person in accordance with installation instructions provided with the appliance.

Serial Number **442**



- DO NOT** OPERATE THIS APPLIANCE BEFORE READING THE INSTRUCTIONS BOOKLET.
- DO NOT** PLACE ARTICLES ON OR AGAINST THIS APPLIANCE
- DO NOT** STORE CHEMICALS OR FLAMMABLE MATERIALS NEAR THIS APPLIANCE.
- DO NOT** OPERATE WITH PANELS, COVERS OR GUARDS REMOVED FROM THIS APPLIANCE.

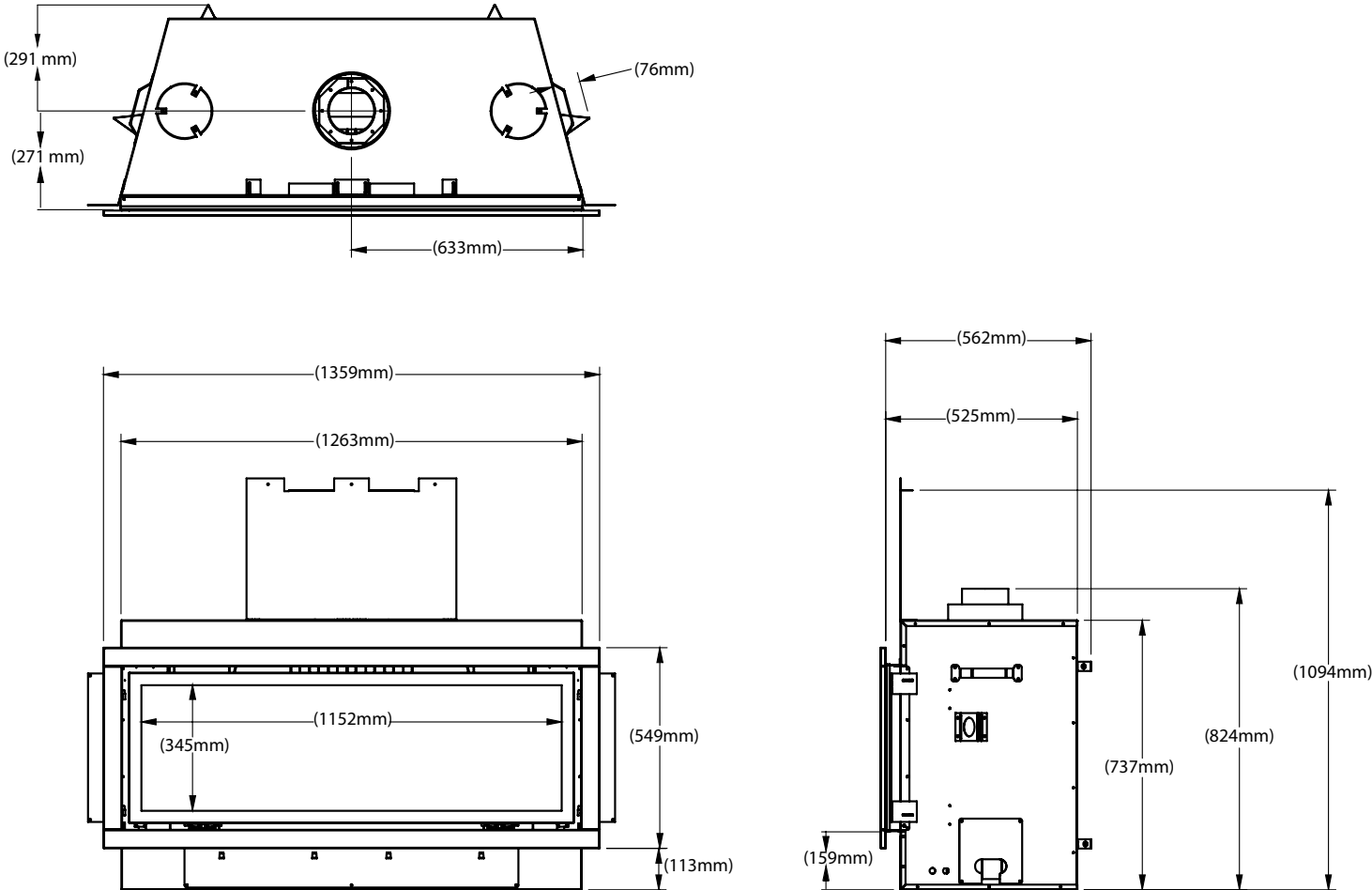
908-602c

THE GUARD IS FITTED TO THIS APPLIANCE TO REDUCE THE RISK OF FIRE OR INJURY FROM BURNS AND NO PART OF IT SHOULD BE PERMANENTLY REMOVED.



FOR PROTECTION OF YOUNG CHILDREN OR THE INFIRM, A SECONDARY GUARD IS REQUIRED.

UNIT DIMENSIONS



installation

IMPORTANT MESSAGE SAVE THESE INSTRUCTIONS

The GF1500L™ Direct Vent Fireplace must be installed in accordance with these instructions. Carefully read all the instructions in this manual first. Consult the "authority having jurisdiction" to determine the need for a permit prior to starting the installation. It is the responsibility of the installer to ensure this fireplace is installed in compliance with manufacturers instructions and all applicable codes and complies with a AS/NZS 5601-2013

INSTALLATION AND REPAIR SHOULD BE DONE BY AN AUTHORIZED SERVICE PERSON. THE APPLIANCE SHOULD BE INSPECTED BEFORE USE AND AT LEAST ANNUALLY BY A PROFESSIONAL SERVICE PERSON. MORE FREQUENT CLEANING MAY BE REQUIRED DUE TO EXCESSIVE LINT FROM CARPETING, BEDDING MATERIAL, ETC. IT IS IMPERATIVE THAT CONTROL COMPARTMENTS, BURNERS AND CIRCULATING AIR PASSAGEWAYS OF THE APPLIANCE BE KEPT CLEAN.

DUE TO HIGH TEMPERATURES, THE APPLIANCE SHOULD BE LOCATED OUT OF TRAFFIC AND AWAY FROM FURNITURE AND DRAPERIES.

WARNING: FAILURE TO INSTALL THIS APPLIANCE CORRECTLY WILL VOID YOUR WARRANTY AND MAY CAUSE A SERIOUS HOUSE FIRE.

CHILDREN AND ADULTS SHOULD BE ALERTED TO THE HAZARDS OF HIGH SURFACE TEMPERATURES, ESPECIALLY THE FIREPLACE GLASS, AND SHOULD STAY AWAY TO AVOID BURNS OR CLOTHING IGNITION.



YOUNG CHILDREN SHOULD BE CAREFULLY SUPERVISED WHEN THEY ARE IN THE SAME AREA AS THE APPLIANCE. TODDLERS, YOUNG CHILDREN AND OTHERS MAY BE SUSCEPTIBLE TO ACCIDENTAL CONTACT BURNS. A PHYSICAL BARRIER IS RECOMMENDED IF THERE ARE AT RISK INDIVIDUALS IN THE HOUSE. TO RESTRICT ACCESS TO A FIREPLACE OR STOVE, INSTALL AN ADJUSTABLE SAFETY GATE TO KEEP TODDLERS, YOUNG CHILDREN AND OTHER AT RISK INDIVIDUALS OUT OF THE ROOM AND AWAY FROM HOT SURFACES.

CLOTHING OR OTHER FLAMMABLE MATERIALS SHOULD NOT BE PLACED ON OR NEAR THE APPLIANCE.

GENERAL SAFETY INFORMATION

1. The appliance installation must conform with local codes or, in the absence of local codes, with the current Installation and Building Codes.
2. The appliance when installed, must be electrically grounded in accordance with local codes.
3. See general construction and assembly instructions. The appliance and flue should be enclosed.
4. This appliance must be connected to the specified flue and termination cap to the outside of the building envelope. Never vent to another room or inside a building. Make sure that the flue is fitted as per Flue instructions.
5. Inspect the flue system annually for blockage and any signs of deterioration.
6. Flue terminals shall not be recessed into a wall or siding.
7. Any safety glass removed for servicing must be replaced prior to operating the appliance.
8. To prevent injury, do not allow anyone who is unfamiliar with the operation to use the fireplace.
9. Wear gloves and safety glasses for protection while doing required maintenance.
10. Be aware of electrical wiring locations in walls and ceilings when cutting holes for termination.

11. Under no circumstances should this appliance be modified. Parts that have to be removed for servicing should be replaced prior to operating this appliance.
12. Installation and any repairs to this appliance should be done by an authorized service person. A professional service person should be called to inspect this appliance annually. Make it a practice to have all of your gas appliances checked annually.
13. Do not slam shut or strike the glass door.
14. Under no circumstances should any solid fuels (wood, paper, cardboard, coal, etc.) be used in this appliance.
15. The appliance area must be kept clear and free of combustible materials, (gases and other flammable vapours and liquids).

The gas appliance connected to the electricity supply shall be provided with the means of double pole electrical isolation that is adjacent to the appliance location and accessible with the appliance installed. Per AS/NZS 5601-2013

"THIS UNIT MUST ALWAYS TERMINATE / FLUE DIRECTLY TO THE OUTDOORS."

INSTALLATION CHECKLIST

1. Locate appliance
 - a) Room location (Refer to "Locating Your Gas fireplace" section)
 - b) Clearances to Combustibles (Refer to "Clearances" section)
 - c) Mantle Clearances (Refer to "Mantel Clearances" section)
 - d) Framing & Finishing Requirements (Refer to "Framing & Finishing" section)
 - e) Flueing Requirements (Refer to "Flue" section)
2. Assemble the standoffs and nailing strips (Refer to "Unit Assembly Prior to Installation").
3. Slide unit into place.
4. Install flue (Refer to "Flue Arrangement" sections).
5. Make gas connections (Refer to "Gas Line Installation section").
6. Pair up Remote Control (Refer to "Pairing up Remote Handset" section)
7. Test the pilot (Refer to "Pilot Adjustment" section).
8. Test Gas Pressure (Refer to "Gas Pipe Pressure Testing" section).
9. Install standard and optional features. Refer to the following sections:
 - a) Log Install
 - b) Faceplate / Door Frame Overlay
 - c) Remote Control
10. Final check.

Before leaving this unit with the customer, the installer must ensure that the appliance is firing correctly and **operation fully explained to customer.**

This includes:

1. Clocking the appliance to ensure the correct firing rate (noted on label) after burning appliance for 15 minutes.
2. If required, adjusting the primary air to ensure that the flame does not carbon. First allow the unit to burn for 15-20 min. to stabilize.

CAUTION: Any alteration to the product that causes sooting or carboning that results in damage is not the responsibility of the manufacturer.

4. The GF1500L Direct Vent Gas Fireplace is approved for alcove installations, see "Clearances" section for details.
5. We recommend that you plan your installation on paper using exact measurements for clearances and floor protection before actually installing this appliance. Have an authorized inspector, dealer, or installer review your plans before installation.

Note: For flue terminations refer to "Exterior Flue Termination Locations" section.

LOCATING YOUR GAS FIREPLACE

1. When selecting a location for your fireplace, ensure that the clearances are met.
2. The appliance must be installed on a flat, solid, continuous surface. For example a wood, metal or concrete floor or in a raised (on the wall) application. The appliance must be installed on a metal or wood panel extending the full width and depth of the appliance.
3. The GF1500L Direct Vent Gas Fireplace can be installed in a recessed position or framed out into the room as in A, B, C and D. See Diagram 1.

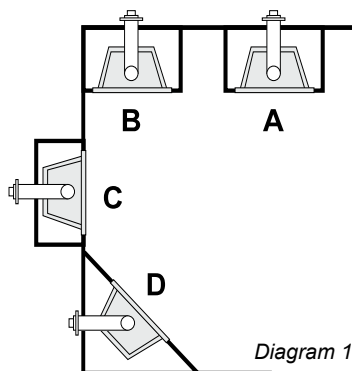


Diagram 1

- A) Flat on Wall
- B) Flat on Wall Corner
- C) Recessed into Wall/Alcove
- D) Corner

installation

CLEARANCES

The clearances listed below are Minimum distances unless otherwise stated:

A major cause of chimney related fires is failure to maintain required clearances (air space) to combustible materials. It is of the greatest importance that this fireplace and flue system be installed only in accordance with these instructions.

Caution Requirements

The top, back and sides of the fireplace are defined by standoffs. The metal ends of the standoff may **NOT** be recessed into combustible construction.

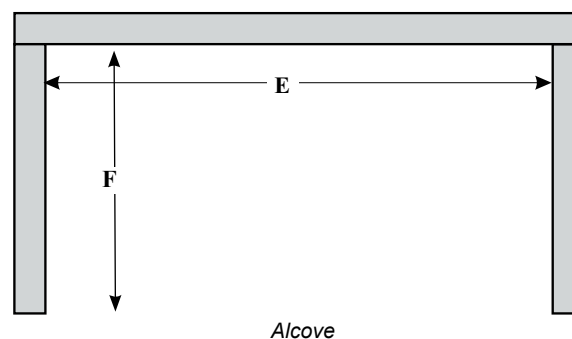
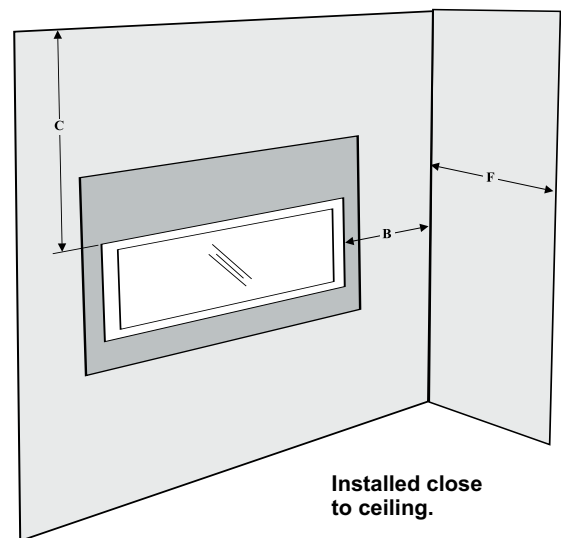
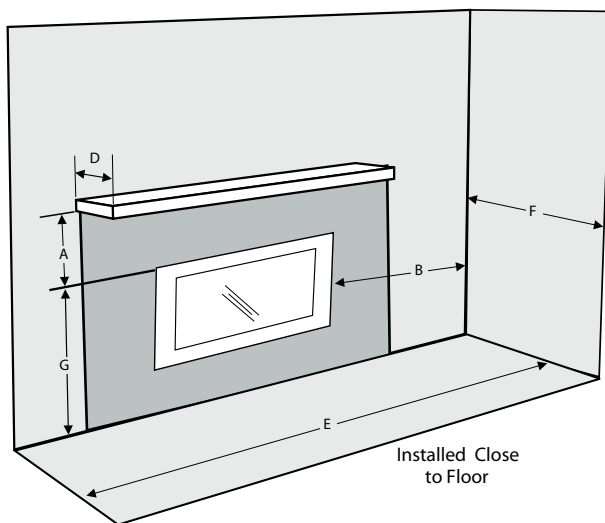
WARNING

Fire hazard is an extreme risk if these clearances (air space) to combustible materials are not adhered to. It is of greatest importance that this fireplace and flue system be installed only in accordance with these instructions.

Clearance:	Dimension	Measured From:
A: Mantel Height (min.)	502 mm	Top of Fireplace Opening
B: Sidewall (on one side)	152 mm	Side of Fireplace Opening
C: Ceiling (room and/or alcove)	1162 mm	Top of Fireplace Opening
D: Mantel Depth (max.)	305mm	730mm Above Fireplace Opening
E: Alcove Width	1524 mm	Sidewall to Sidewall (Minimum)
F: Alcove Depth	914 mm	Front to Back Wall (Maximum)
G: From Floor	617 mm	Top of Fireplace Opening
Note:	0	No hearth required

Flue Clearances to Combustibles	
Horizontal - Top	76mm
Horizontal - Side	51mm
Horizontal - Bottom	51mm
Vertical	51mm

IMPORTANT: If installing a television above this appliance, the television must be either fully recessed into the wall above the fireplace and or have a mantle below the television. If the television is left unprotected, the extreme heat being emitted from this appliance will result in damage to the television. See clearance requirements for both mantle (page 9) and or enclosing the top of the appliance (Page 11 (D) dimension).

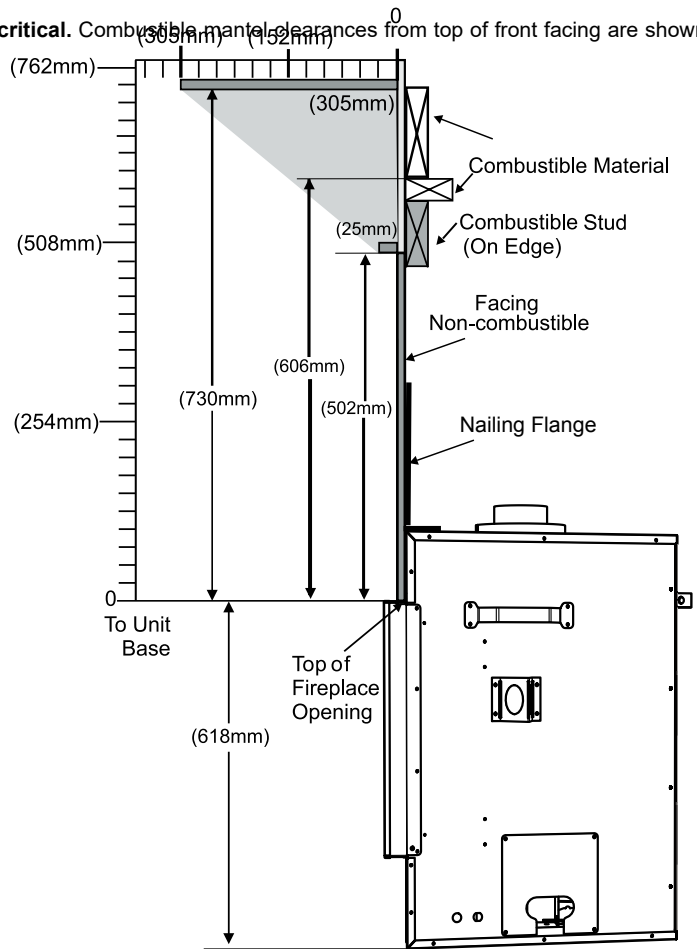


MANTEL CLEARANCES

the diagram on the right.

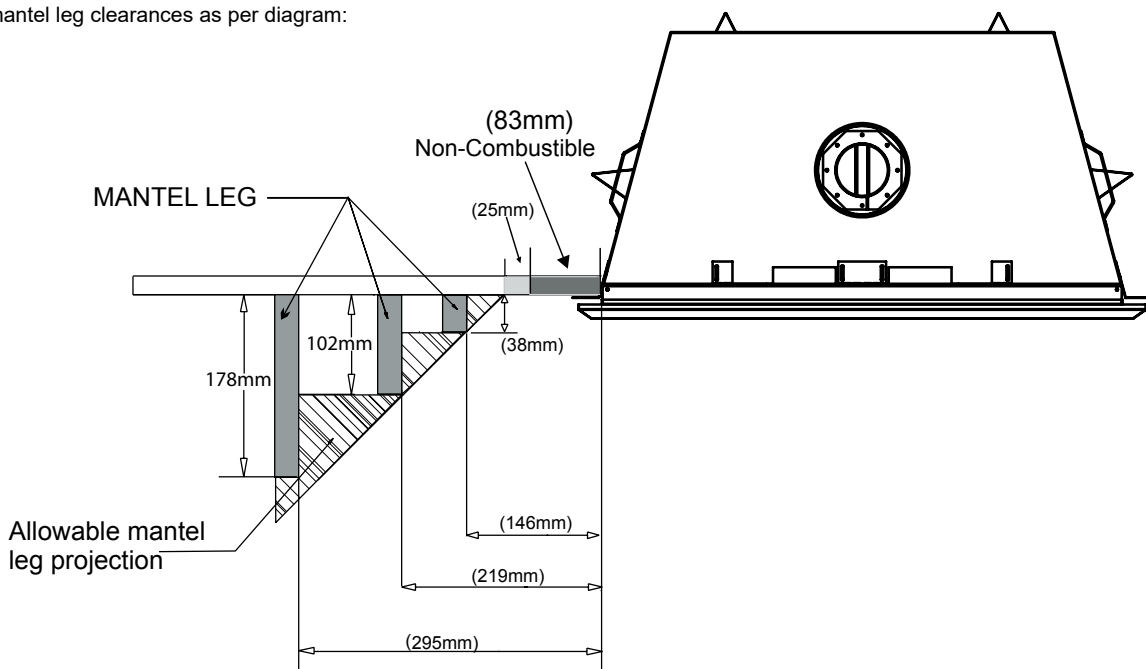
Due to the extreme heat this fireplace emits, the mantel clearances are critical. Combustible mantel clearances from top of front facing are shown in

Note: Ensure the paint that is used on the mantel and the facing is "high quality" or the paint may discolour.



MANTEL LEG CLEARANCES

Combustible mantel leg clearances as per diagram:



installation

UNIT ASSEMBLY PRIOR TO INSTALLATION

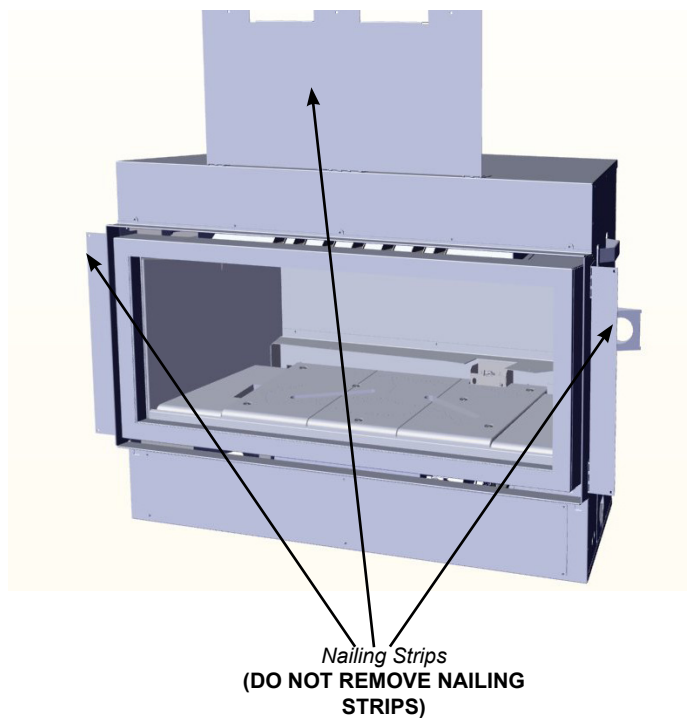
The nailing Strips must be correctly positioned and attached before unit is slid into position.

NAILING STRIPS

The nailing strips come attached to the unit. There is 1 plate on each side, 1 on the top. The top and side nailing strips are secured to the framing.

IMPORTANT NOTE

Framing depth measurement is noted with the nailing strips set as far forward on the firebox as possible. The nailing strips can be adjusted back up to 38mm to allow for varying thicknesses in non-combustible material & wall finishes.

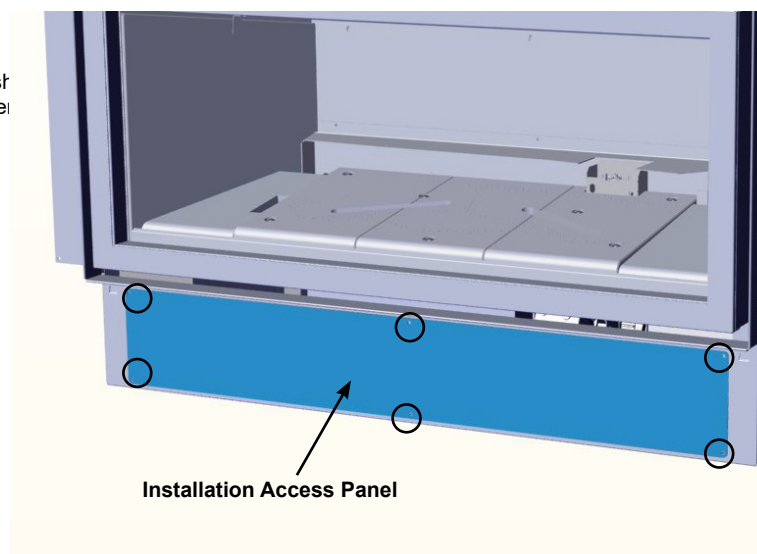


INSTALLATION ACCESS PANEL

The unit is equipped with a removable access panel for the pre-finish installation of optional components - this panel is located on the lower front face.

- 1) Remove 6 screws to remove access panel.
- 2) Easier access to gas connection with panel removed.
- 3) Install any optional components with access panel removed.
- 4) Reinstall access panel with 6 screws

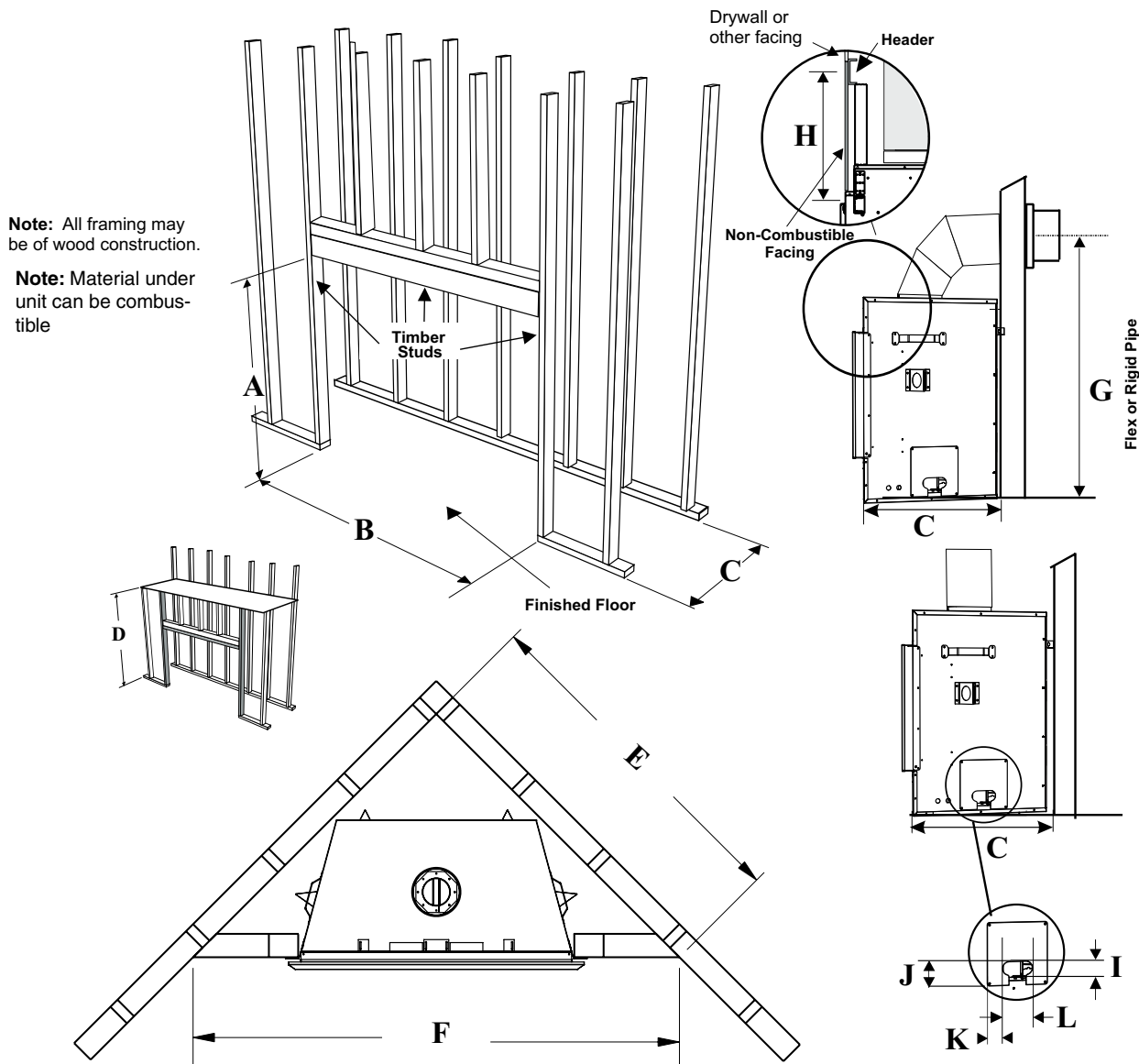
Note: Access panel is no longer usable once facing material installed.



FRAMING DIMENSIONS

Framing Dimensions	Description	GF1500L
A	Framing Height	1095 mm
B	Framing Width	1394 mm
C*	Framing Depth	568 mm
D	Minimum Height to Combustibles	1225 mm
E	Corner Wall Depth	1460 mm
F	Corner Facing Wall Width	2065 mm
G	Vent Centerline Height	1016 mm
H	Non-combustible facing height	508 mm
I	Gas Connection Opening Height	38 mm
J	Gas Connection Height	67 mm
K	Gas Connection Inset	44 mm
L	Gas Connection Opening Width	89 mm

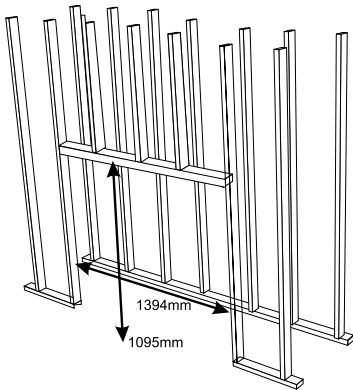
* Framing depth measurement is noted with the nailing strips set as far forward on the firebox as possible. The nailing strips can be adjusted back up to 38mm to allow for varying thicknesses in non-combustible material & wall finishes.
 - A minimum thickness of 12mm non-combustible facing board compliant with AS1530-1 and AS1530-3 is required.



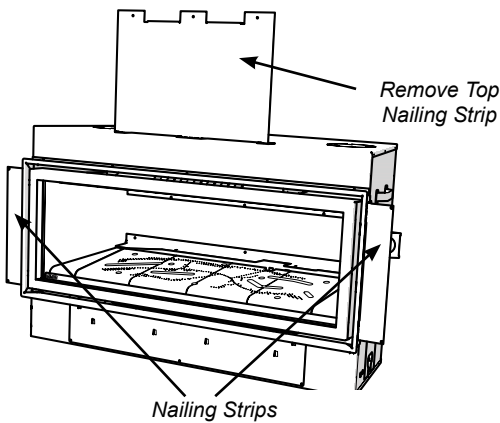
installation

OPTIONAL FRAMING KIT

1. Construct the timber framing, ensure inside dimensions are 1095mm H x 1394mm W as shown below.

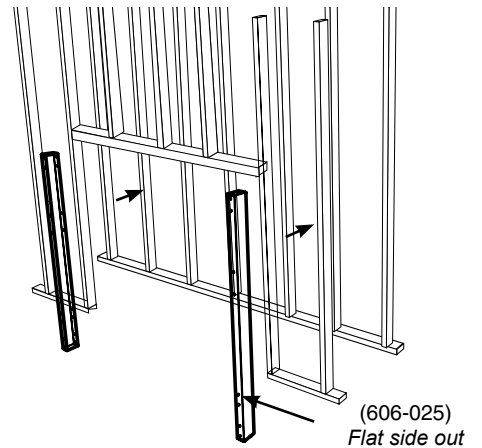
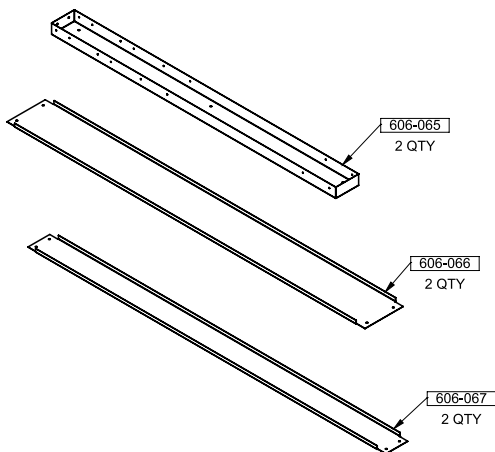


2. Bend both side nailing strips from the side of the appliance until positioned as shown below. Determine the overall combined thickness of the non-combustible board + finished material being used. The nailing strips can be adjusted up to 38mm. Remove top nailing strip and recycle.

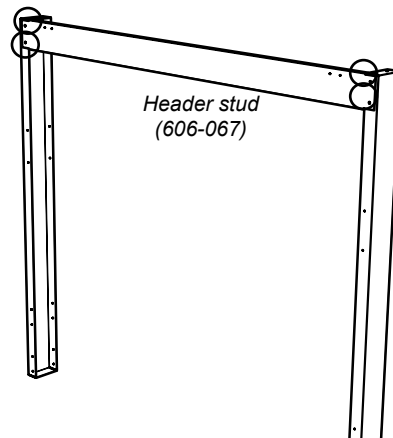


3. Adjust the nailing strips by loosening 2 screws on each nailing strip - adjust and retighten screws.
4. Attach both vertical studs (606-025) to the vertical timber studs and secure using 6 screws (2 at bottom, 2 at top and 2 on sides) as shown.

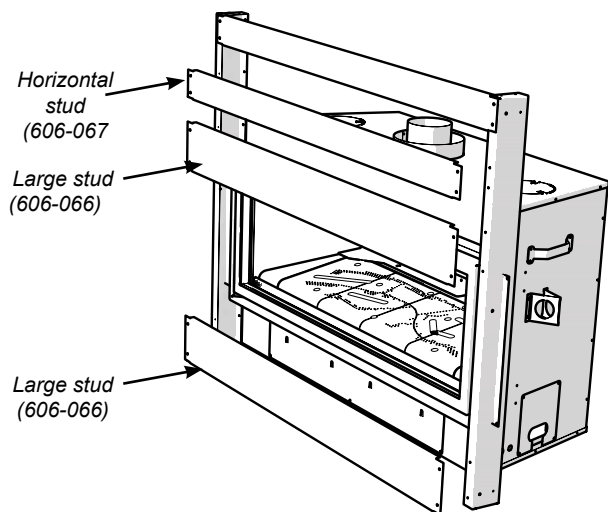
NOTE: Ensure the flat side of the steel stud is facing the timber framing.



5. Secure horizontal steel header stud (606-067) with 2 screws per side as per diagram.



6. Slide the unit into position. Hook up gas, flueing, electrical and conversion kit (if purchased) prior to installing the remaining steel studs.
7. Secure the upper horizontal steel studs as shown with 2 screws per side.
8. Secure the 2 remaining large horizontal studs (606-066) with 2 screws per side as shown.



NON COMBUSTIBLE FACING INSTALLATION

IMPORTANT NOTE:

Prior to installation of non-combustible materials by others, check and inspect carefully for any hairline cracks and or damage to board. The non combustibile board must be a minimum of 12mm thick and comply with AS1530-1 and AS1530-3. Material which is thinner may crack as a result due to the high temperatures this appliance emits.

1. Using screws for use with non-combustible boards-secure non-combustible material around unit, framing and top nailing strip every 150mm.

Important Note: To avoid cracking the board-pre-drill holes prior to securing to unit/framing.

2. Wipe any debris/dust from the non-combustible material and dry wall.
3. Prior to securing, it is mandatory to prime the facing and edges using a quality primer. This will ensure proper adhesion of the tape, filler and paint.

Failure to follow this procedure will result in cracked seams.

4. Tape the seams using a mesh type tape.
5. Fill seams as normal. Avoid using filler which shrinks excessively. Filler must be cured as per manufacturer's recommendations.
6. Prime wall for a second time for proper adhesion of paint.
7. Paint walls using a high quality paint which will withstand the high temperatures being emitted from this appliance.

NOTE: When applying 12mm minimum non-combustible board to frame-work it is advisable to use the same 12mm minimum non-combustible board on the whole front face of the wall.

When using a standard fascia cut out the clean edge trim opening plus a further 10mm border.

When using a 15mm finishing trim cut out the clean edge trim opening plus a further 4mm border.

When using painted 12mm minimum non-combustible board as finished wall surface use 15mm finishing trim.

When using clean edge trim do not seal heater to finished wall material. The above will allow for possible expansion and contraction.

IMPORTANT

Regency Fireplace Products are designed, produced, tested and certified to the highest industry standards. The finishing of the walls surrounding Regency is as critical as the installation itself. The temperatures around linear gas fireplaces are typically higher than would be acceptable for the combustibile materials. Your Regency Fireplace is no exception to this rule. Therefore, the units are specified with non-combustible required materials to specific dimensions above and around the units. This is due to these areas reaching higher temperature levels than required/acceptable for a combustibile material. To obtain the best, most durable finish around your fireplace, this calls for a high level of care and attention to the preparation and finish around this appliance, using only the highest quality materials, able to withstand the temperatures produced.

By following the installation instructions in the manual exactly, you will increase your chances for a damage free finish.

Every precaution is taken in providing the recommendations on preparation and finish, given the variation in paint quality, with temperature limits and workmanship applied to or used in any application surrounding the fireplace. This includes framing as well as finishing.

Over time natural convection from any fireplace can cause discoloration in the area directly above the appliance. Lower quality paints, under prepared finishes, poor applications and any framing discrepancies or in the installation can cause this discolouration process to be expedited.

Discolouration is not the responsibility of Regency Fireplace Products, we believe careful attention to the recommendations provided here will be result in aesthetically pleasing result free of issues outlined above.

installation

FRAMING & FINISHING

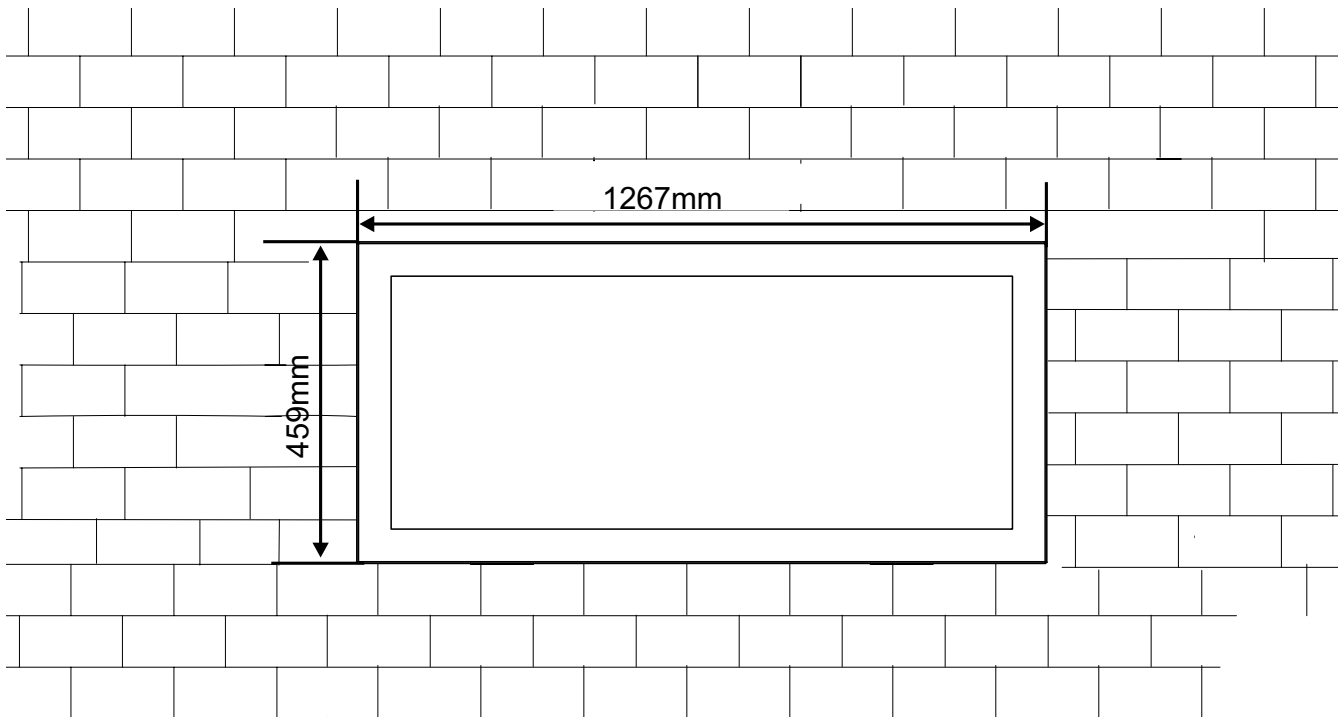
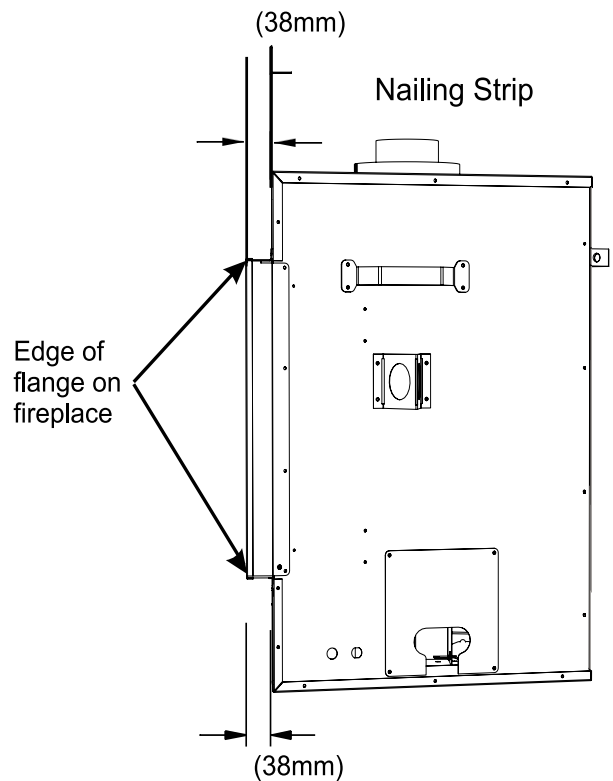
1. Frame in the enclosure for the unit with framing material.

Note: It is beneficial to install the unit, gas connection and flue to the unit prior to the wall facing being installed.

2. For exterior walls, insulate the enclosure to the same degree as the rest of the house, apply vapour barrier and drywall, as per local installation codes. (Do not insulate the fireplace itself.)

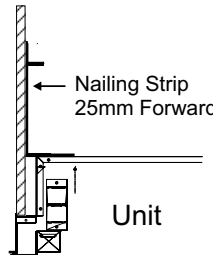
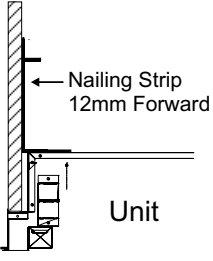
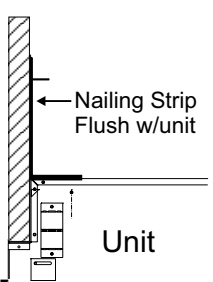
WARNING: Failure to insulate and add vapor barriers to the inside of the exterior wall will result in operational and performance problems including, but not limited to: excessive condensation on glass doors, poor flame package, carbon, blue flames etc. These are not product related issues.

3. The unit does not have to be completely enclosed in a chase. You must maintain clearances from the flue to combustible materials: See "Clearances" section. Combustible materials can be laid against the side and back standoffs and the stove base.
4. Non-combustible material (ie. tile, slate, etc) may be brought up to and overlap the unit (top and bottom) ensuring that the maximum thickness does not go beyond the 38mm as shown in the diagram below. The faceplate will not be able to be mounted if finished material is beyond 38mm.



*Unit shown with inner door frame only
Using the clean edge of the unit, shown in a
typical tiled facing*

FRAMING & FINISHING

Finished Material	Nailing Strip Position	
12mm	25mm	 <p>Nailing Strip 25mm Forward</p> <p>Unit</p>
25mm	12mm	 <p>Nailing Strip 12mm Forward</p> <p>Unit</p>
38mm	0mm (flush)	 <p>Nailing Strip Flush w/unit</p> <p>Unit</p>

Note:

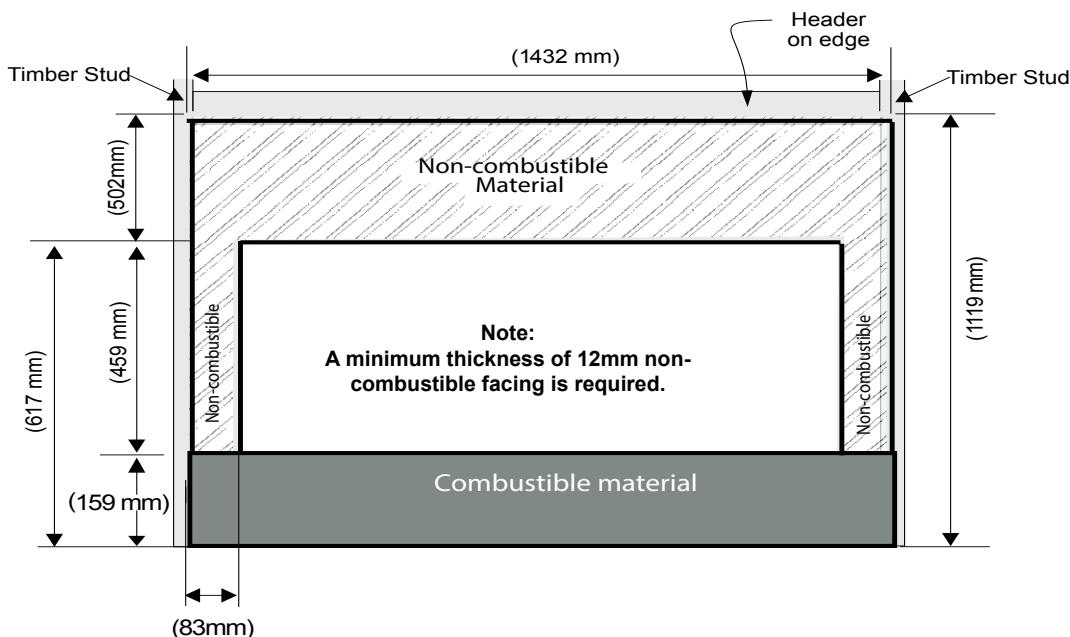
The siding nailing strips are factory set at 12mm. The top nailing strip is fixed during transit to the rear of the appliance.

Note:

Depending on the material used for finishing, the nailing strips must be set accordingly so that the finished material is always at the 38mm edge of the flange.

MINIMUM THICKNESS OF THE FINISH MATERIAL: 12MM

COMBUSTIBLE REQUIREMENTS



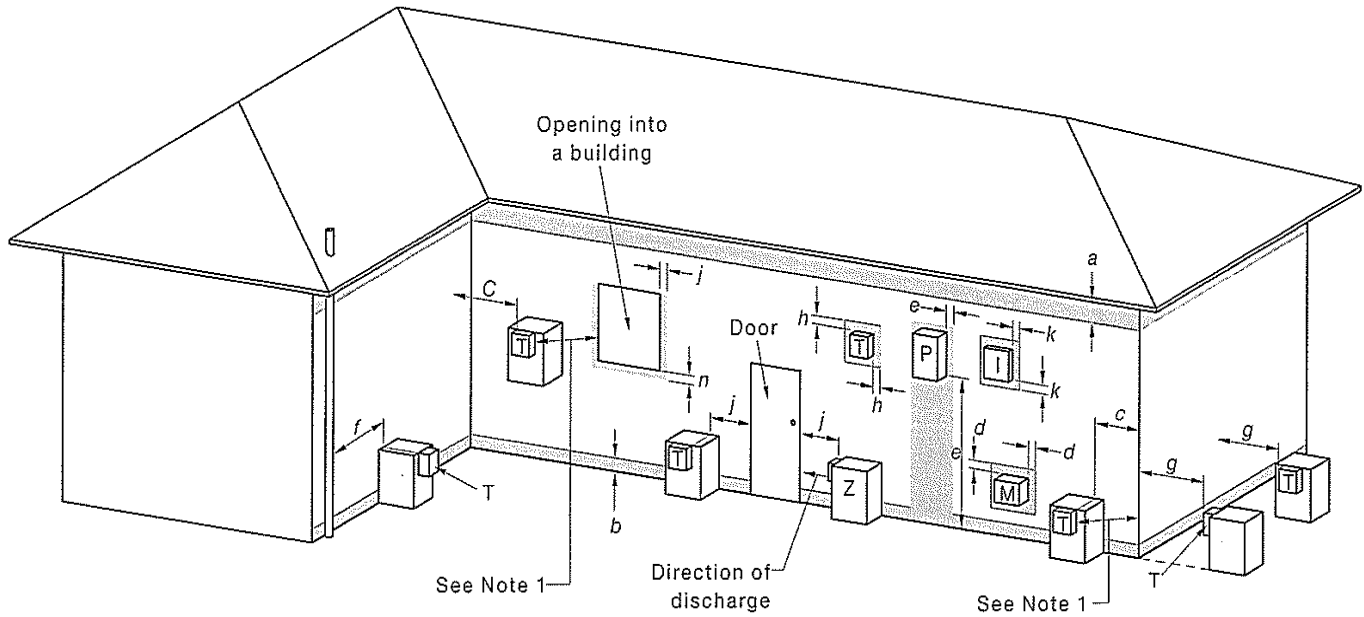
NOTE:

The appliance must be installed on a flat, solid continuous surface, For example., a wood, metal or concrete floor or in a raised (on the wall) application. The appliance must be installed on a metal or wood base extending the full width and depth of the appliance.

NOTE:

If raising the unit, then the minimum height measurement (A) on page 11 of the framing dimensions must be adhered to. For example., Unit raised 300mm then A+ 300mm = 1395mm.

EXTERIOR FLUE TERMINATION LOCATIONS



I = Mechanical air inlet M = Gas meter P = Electricity meter or fuse box T = Flue terminal Z = Fan-assisted appliance only


 Shading indicates prohibited area for flue terminals

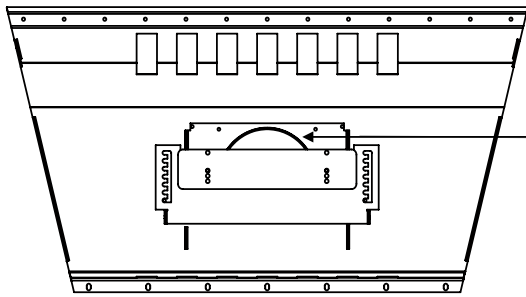
FIGURE 6.2 (in part): LOCATION OF FLUE TERMINALS OF BALANCED FLUE AS/NZ 5601-2013, ROOM-SEALED, FAN ASSISTED, OR OUTDOOR APPLIANCE

CLEARANCES

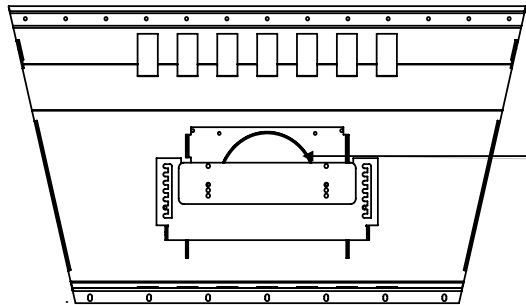
Ref.	Item	Minimum clearances (mm)	
		Natural Draught	Fan Assisted
<i>a</i>	Below eaves, balconies and other projections:		
	<i>Appliances up to 50 MJ/h input</i>	300	200
	<i>Appliances up to 50 MJ/h input</i>	500	300
<i>b</i>	<i>From the ground, above a balcony or other surface*</i>	300	300
<i>c</i>	From a return wall or external corner*	500	300
<i>d</i>	From a <i>gas meter</i> (M) (see Note 5) (see Clause 5.11, 5.9 for vent terminal location of regulator) (see Table 6.7 for New Zealand requirements)	1000	1000
<i>e</i>	From an <i>electricity meter</i> or <i>fuse box</i> (P) [†] (see Note 5)	500	500
<i>f</i>	From a drain or soil pipe	150	75
<i>g</i>	Horizontally from any building structure* or obstruction facing a terminal	500	500
<i>h</i>	From any other <i>flue terminal, cowl, or combustion air intake</i>	500	300
<i>j</i>	Horizontally from an openable window, door, non-mechanical air inlet, or any other opening into a building iwth the exception of sub-floor ventilation:		
	<i>Appliances up to 150MJ/h input*</i>	500	300
	<i>Appliances over 150MJ/h input up to 200 MJ/h input*</i>	1500	300
	<i>Appliances over 200MJ/h input up to 250 MJ/h input**</i>	1500	500
	<i>Appliances over 250MJ/h input*</i>	1500	1500
	All fan-assisted <i>flue appliances</i> , in the direction of discharge	-	1500
<i>k</i>	From a mechanical air inlet, including a spa blower	1500	1000
<i>n</i>	Vertically below an openable window, non-mechanical air inlet, or any other opening into a building iwth the exception of sub-floor ventilation:		
	Space heaters up to 50MJ/h input	150	150
	<i>Other appliances up to 50 MJ/h input</i>	500	500
	<i>Appliance over 50 MJ/h input and up to 150 MJ/h input</i>	1000	1000
	<i>Appliances over 150 MJ/h input</i>	1500	1500
<p>* Unless <i>appliance</i> is <i>certified</i> for closer installation. [†] Prohibited area below electricity meter or fuse box extends to ground level.</p> <p>NOTES: 1 Where dimension c, j or k cannot be achieved an equivalent horizontal distance measured diagonally from the nearest discharge point of the terminal to the opening may be deemed by the <i>Technical Regulator</i> to comply. 2 See Clause 6. 9. 4 for restriction on the <i>flue terminal</i> under a covered area. 3 See Figure J3 for clearances required from a flue terminal to an LP Gas cylinder. A flue terminal is considered to be a source of ignition. 4 For appliance not addressed above acceptance should be obtained from the Technical Regulator. 5 Minimum clearance <i>d and e</i> also apply to any combustion air intake openings of appliances.</p>			

installation

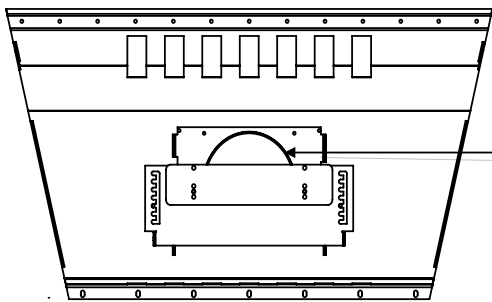
FLUE RESTRICTOR SETTINGS



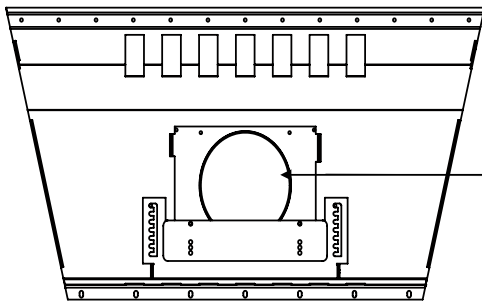
Set 3-(32mm)



Set 2-(41mm)



Set1-(44mm)



Set-0 (108mm)

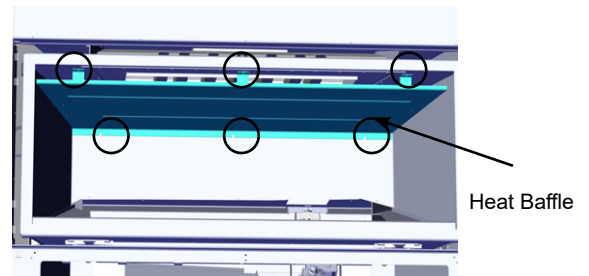
FULLY OPEN
FACTORY SETTING

Flue restriction is required for certain venting installations, see the diagrams in the "Flueing Arrangements" section to determine if they are required for your installation.

The Flue Restrictor plate is located on the inside top of the firebox.

To set the flue restriction as indicated in the flueing arrangements diagrams, refer to the following instructions;

1. Remove the glass door and inner panels - see instructions in this manual.
2. Remove 6 screws (3 front - 3 back) to remove heat baffle to access restrictor plate.
3. Remove the screws that hold the flue restrictor in place.



4. Adjust the flue restrictor plate to the required flue restrictor position as per the diagrams shown below.
5. Once the flue restrictor plate is in the required position, secure with screws.

FLUEING INTRODUCTION

The GF1500L uses the "balanced flue" technology Co-Axial system. The inner liner vents products of combustion to the outside while the outer liner draws outside combustion air into the combustion chamber thereby eliminating the need to use heated room air for combustion and losing warm room air up the chimney.

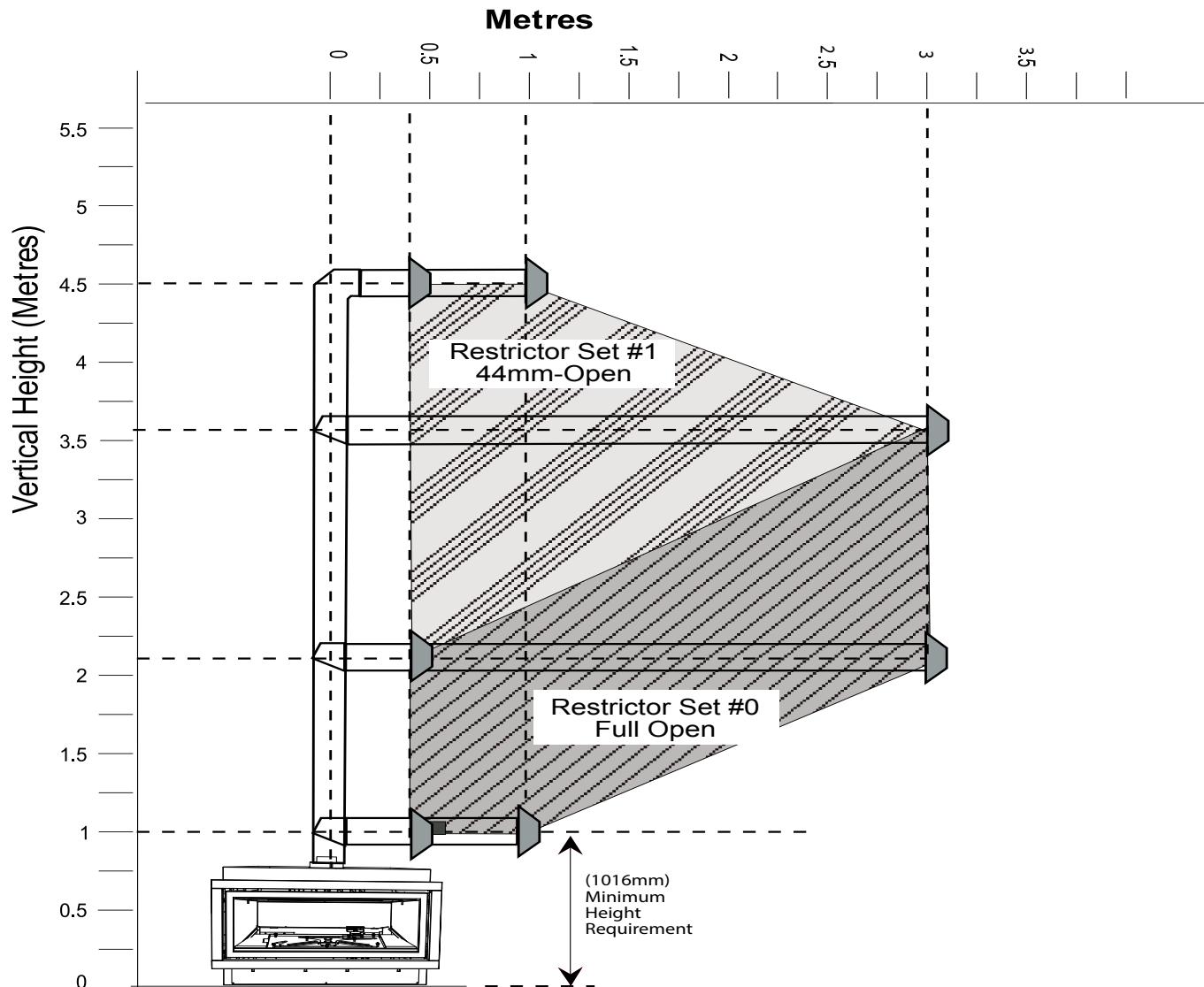
Note: These flue pipes must not be connected to any other appliance.

The gas appliance and flue system must be vented directly to the outside of the building, and never be attached to a chimney serving a separate solid fuel or gas burning appliance. Each direct vent gas appliance must use it's own separate flue system. Common flue systems are prohibited.

FLUEING ARRANGEMENT FOR HORIZONTAL TERMINATIONS

The diagram shows all allowable combinations of vertical runs with horizontal terminations, using one 90° (two 45° elbows equal one 90° elbow).

Note: Must use optional rigid pipe adapter (Part# 770-994) when using Simpson Dura Vent Only.



FLUE RESTRICTOR SETTING:

Flue restrictor factory set at Set 0.

Refer to the "Flue Restrictor Position" section for details on how to change the flue restrictor from the factory setting of Set 0 to Set 1 if required.

- Maintain clearances to combustibles as listed in "Clearances" section
- Horizontal flue must be supported every 0.9m
- A flue guard should be used whenever the termination is lower than the specified minimum or as per local codes.
- Flex system can only be used up to 3m - otherwise rigid system must be used.

installation

FLUEING ARRANGEMENTS

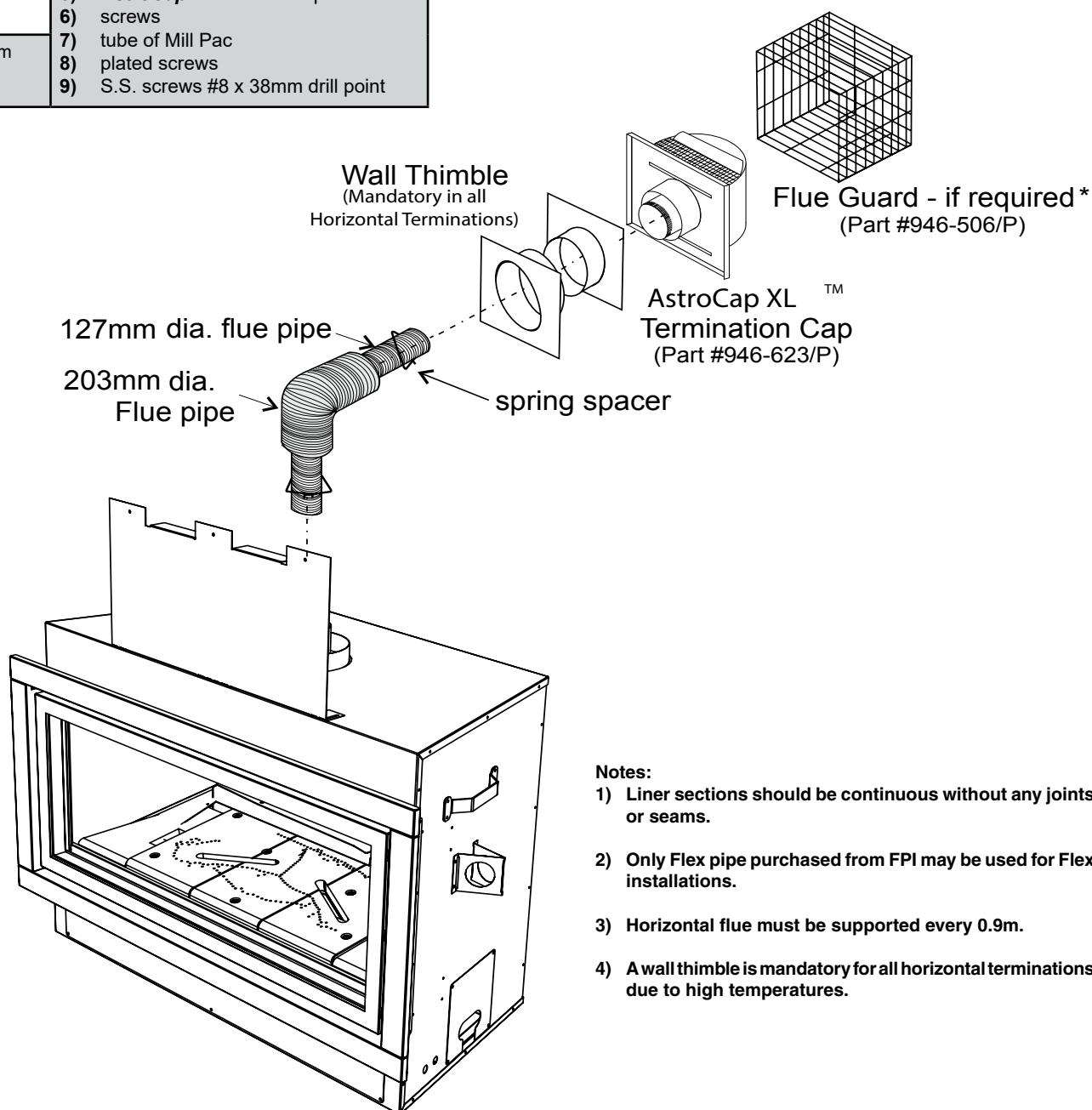
HORIZONTAL TERMINATION (FLEX)

Regency® Direct Vent System

These flueing systems, in combination with GF1500L, have been tested and listed as a Direct Vent system by AGA. The location of the termination cap must conform to the requirements in the Flue Terminal Locations diagram from the "Exterior Flue Termination Locations" section.

FPI Direct Vent (Flex) System Termination Kits include all the parts needed to install the GF1500L using a flexible vent.

FPI Kit #	Length	Contains:
#946-615	1.2 m	1) 203mm flexible liner (Kit length) 2) 127mm flexible liner (Kit length) 3) spring spacers
#946-618	1.8 m	4) thimble 5) AstroCap termination cap 6) screws
#946-616	3 m	7) tube of Mill Pac 8) plated screws 9) S.S. screws #8 x 38mm drill point



Notes:

- 1) Liner sections should be continuous without any joints or seams.
- 2) Only Flex pipe purchased from FPI may be used for Flex installations.
- 3) Horizontal flue must be supported every 0.9m.
- 4) A wall thimble is mandatory for all horizontal terminations due to high temperatures.

RIGID PIPE FLUEING SYSTEMS

BASIC HORIZONTAL & VERTICAL TERMINATIONS

Rigid Pipe Flue Systems offer a complete line of component parts for installation of both horizontal and vertical installations. Many items are offered in decorative black, as well as galvanized finish.

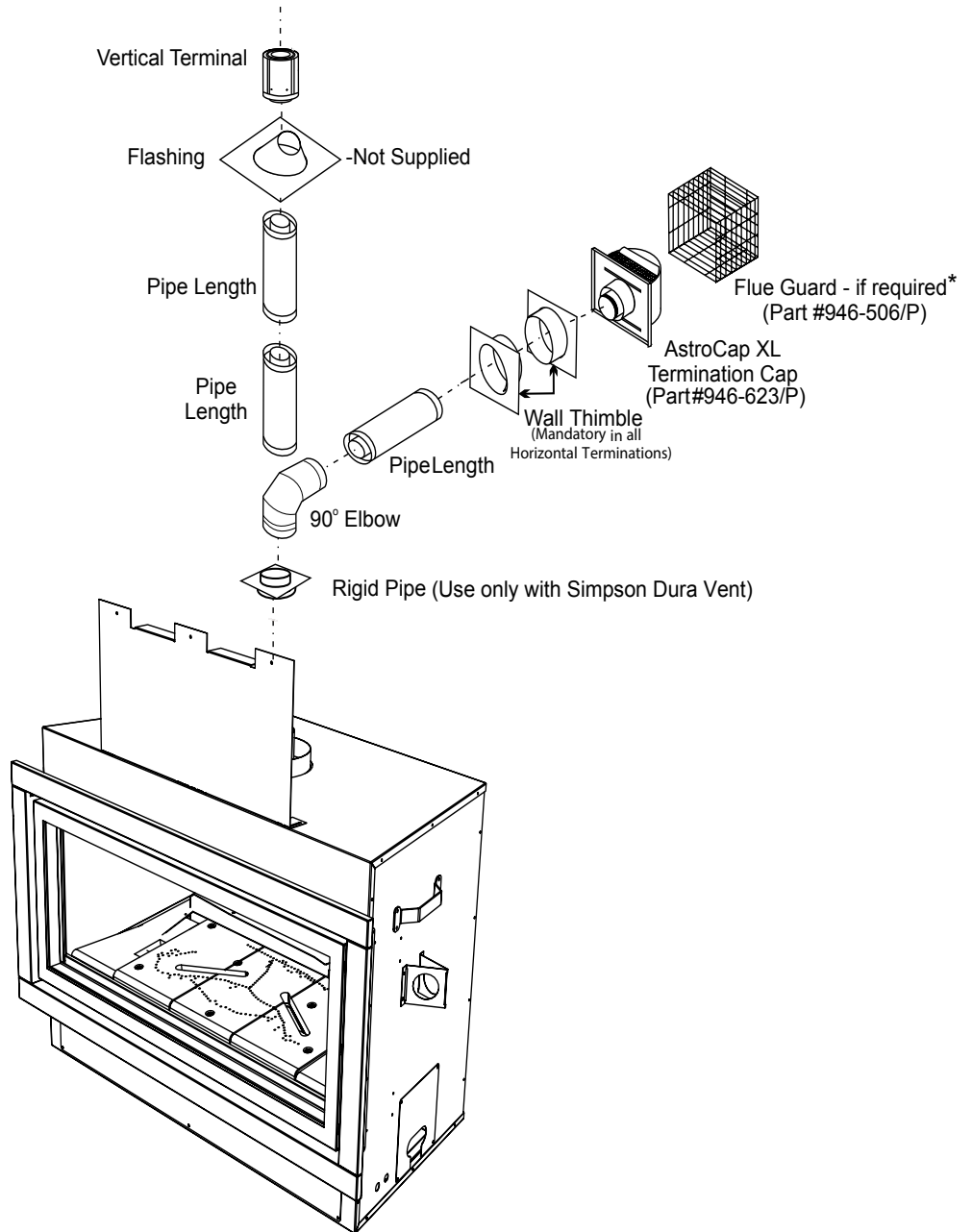
The minimum components required for a basic Horizontal Termination are:

- 1 AstroCap XL Termination Cap
- 1 90o Elbow
- 1 Rigid Pipe Adaptor (*Dura Vent Only*)
- 1 Wall Thimble
- 1 Length of rigid pipe to suit wall thickness

The minimum components required for a basic Vertical Termination are:

- 1 Vertical Termination Cap
- 1 Rigid Pipe Adaptor (*Dura Vent Only*)
- 1 Lengths of pipe to adequately penetrate roof
- 1 Flashing (*As required per AS/NZS 5601-2013, to be supplied by installer*)

Wall thickness is measured from the back standoffs to the inside mounting surface of termination cap. For siding other than vinyl furring strips may be used, instead of the vinyl siding standoff, to create a level surface to mount the vent terminal. The Terminal must not be recessed into wall cladding. Measure the wall thickness including wall cladding.



WARNING:

Do not combine flueing components from different venting systems.

Exception: However, use of the the AstroCap XL™ is acceptable with all systems.

When using Rigid Flue other than Simpson Dura-Vent, 3 screws must be used to secure rigid pipe to adaptor.

installation

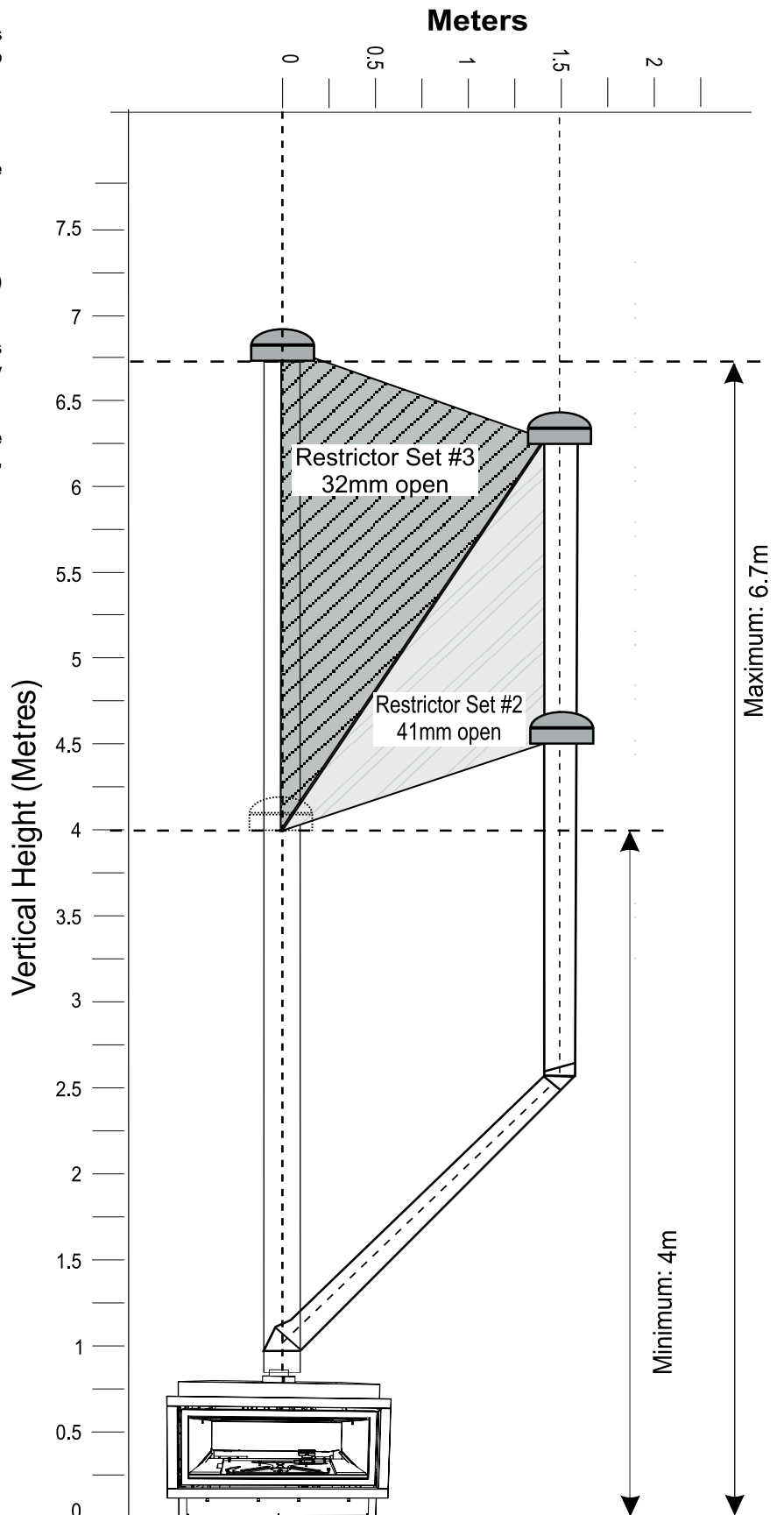
FLUEING ARRANGEMENT FOR VERTICAL TERMINATIONS

Vertical Flue with One(1) 90° Elbows (1 - 90° = 2 - 45°)

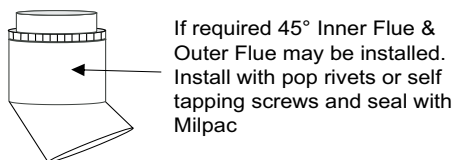
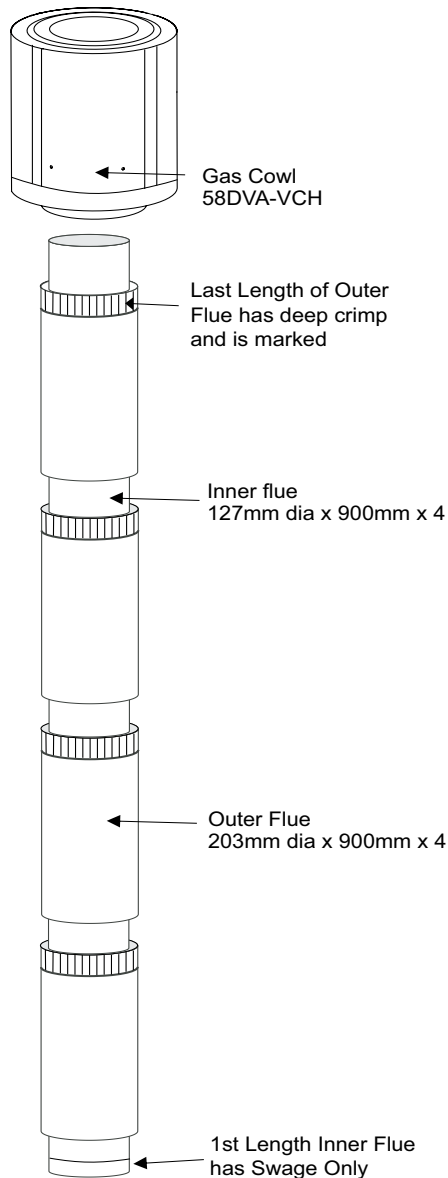
The shaded area in the diagram shows all allowable combinations of straight vertical and offset to vertical terminations, using two 45° bends, with Rigid Pipe Flueing Systems.

- Flue must be supported at offsets.
- Maintain clearances to combustibles as listed in the "Clearances" section.
- Horizontal vent must be supported every 1M.
- Must use optional rigid pipe adaptor (Part# 770-994) when using rigid pipe flue systems (*Dura Vent Only*).
- Refer to the "Flue Restrictor Position" section for details on how to change the flue restrictor from the factory setting of Set 0 to Set 1, Set 2 or Set 3 if required.
- Vertical flue must terminate a minimum of 600m to the underside of the cowl from the nearest part of the roof, as per AS/NZS 5601-2013

"THIS UNIT MUST ALWAYS TERMINATE / FLUE DIRECTLY TO THE OUTDOORS."



DIRECT FLUE ZERO CLEARANCE TOP EXIT VERTICAL FLUE KIT INSTALLATION INSTRUCTIONS GF1500L



Mill-Pac SEALANT
INNER FLUE

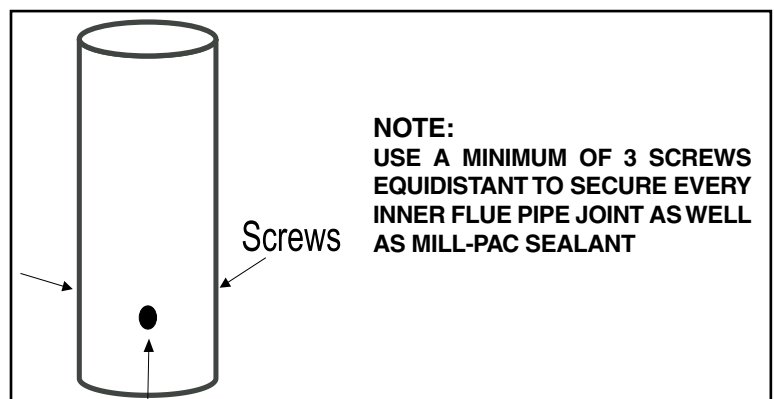
This flue kit has been manufactured for use with GF1500L and to be installed in accordance with AS/NZS 5601-2013. To ensure safety and correct unit operation this flue kit must be installed as outlined in these instructions. Heater and flue clearances from combustible materials must be in accordance with these instructions and AS/NZS 5601-2013.

1. Locate the heater in its proposed position and mark the point for penetration directly above the centre of the heater flue outlet. Check the heater location allows the outer flue to clear all structural timber and combustible surfaces by 40mm minimum.
2. If the enclosure consists of a ceiling – cut a 303mm square hole (minimum) for the flue to penetrate, cut hole through roofing material and prepare flashing for termination.
3. Starting at the heater, install first length of inner pipe, using Mill-Pac sealant and self-tapping screws (or rivets). Note – first length of inner pipe has a Swage only.
4. Continue assembling flue pipes inner and outer, ensuring each inner joint is sealed using Mill-Pac sealant and self-tapping screws (or rivets). Outer flue pipe installs crimped end up and must be sealed and fixed together also.
5. If required, fix outer flue in the ceiling space using non-combustible bracing to stop movement. On penetration of roof, fit an appropriate flashing or weather seal to suit the roofing material, ensure all joints outside are sealed with appropriate sealer.
6. Fit approved gas cowl ensuring inner and outer flue pipes are sealed.
7. Start heater and run for at least 15 minutes to check flue seal. If operational issues are noted, check flue again to ensure proper seal of inner pipe.

SUPPLIED Mill-Pac SEALANT MUST BE USED OR WARRANTY WILL BE VOID – IF REQUIRED, MORE SEALANT CAN BE PURCHASED USING PART NUMBER 948-128

45° bends (if required) part number 946-688 – Note, if bends are used at the start of flue run, a deeper crimp may be required at the unit for inner pipe fitment. Can be crimped on site and sealed with Mill-Pac sealant and self-tapping screws (or rivets).

Note – It is the installers responsibility to ensure the installation complies with AS/NZS 5601-2013 and all local and building codes.



installation

UNIT INSTALLATION WITH HORIZONTAL TERMINATION (Rigid Flue Systems)

A top clearance of 76mm and side & bottom clearance of 51mm must be maintained; except when passing through a wall, ceiling, or at the termination where the use of a firestop or wall thimble reduces the required clearance to 38mm. We recommend framing a 279mm x 279mm (inside dimensions) hole to give structural rigidity for mounting the termination.

Install the flue system according to the manufacturer's instructions included with the components.

1. Set the unit in its desired location. Check to determine if wall studs or roof rafters are in the way when the flueing system is attached. If this is the case, you may want to adjust the location of the unit. Rough in the gas preferably on the right side of the unit.
2. Simpson Dura-Vent Flue pipe and fittings are designed with special twist-lock connections to connect the venting system to the appliance flue outlet. A twist-lock appliance adaptor is required.

Note: If using Flomet Rigid Flue System (Part No: 946-686), no Twist-lock appliance adaptor is required.

3. In conjunction with the Simpson Direct Vent Pro system, install the adaptor after the unit is set in its desired location. Put a bead of Mill Pac inside the outer section of the adaptor and a bead of Mill Pac on the inner collar. Slip the adaptor over the existing inner and outer flue collar. Fasten to the outer collar only with the 3 supplied screws (drilling pilot holes will make this easier).
4. Level the fireplace and fasten it to the framing using nails or screws through the top and side nailing strips.
5. Assemble the desired combination of pipe and elbows to the appliance flue outlets and secure.

Note: For best results and optimum performance with each approved flueing system, apply "Mill-Pac" sealant to every inner pipe connection. Failure to do so may result in drafting or performance issues not covered under warranty.

"THIS UNIT MUST ALWAYS TERMINATE / FLUE DIRECTLY TO THE OUTDOORS."

NOTE: "NOT INTENDED FOR FIREPLACE INSERT".

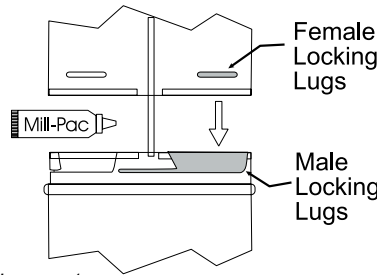


Diagram 1

Horizontal runs of flue must be supported every 0.9 metre. Wall straps are available for this purpose.

6. Mark the wall for a 279mm x 279mm square hole. The center of the square hole should line up with the center-line of the horizontal pipe. Cut and frame the 279mm square hole in the exterior wall where the flue will be terminated. See diagram 2 for center line requirements.

If the wall being penetrated is constructed of non-combustible material, i.e. masonry block or concrete, an 203mm diameter hole is acceptable.

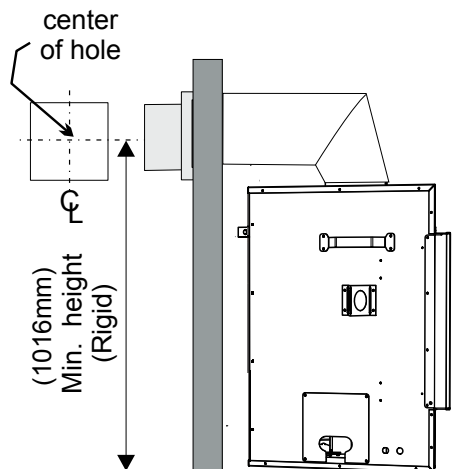


Diagram 2

Note:

- a) The horizontal run of flue must be level, or have a 6mm rise for every 305mm of run towards the termination. Never allow the flue to run downward. This could cause high temperatures and may present the possibility of a fire.
- b) The location of the horizontal flue termination on an exterior wall must meet all local and national building codes, and must not be blocked or obstructed. See "Exterior Flue Termination Locations" section for more details.

7. Ensure that the pipe clearances to combustible materials are maintained (Diagram 3). Install the termination cap.

The four wood screws provided should be replaced with appropriate fasteners for stucco, brick, concrete, or other types of sidings.

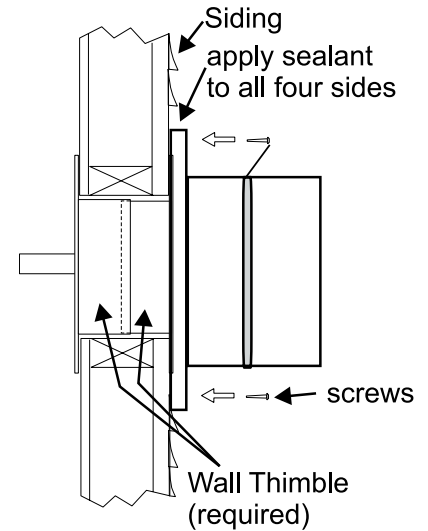


Diagram 3

8. Before connecting the horizontal run of flue pipe to the vent termination, slide the Wall Thimble over the vent pipe. The wall thimble is required for all horizontal terminations.
9. Slide the appliance and flue assembly towards the wall carefully inserting the flue pipe into the flue cap assembly. It is important that the flue pipe extends into the flue cap sufficient distance so as to result in a minimum pipe overlap of 32mm. Secure the connection between the flue pipe and the flue cap.
10. Install wall thimble in the center of the 279mm square and attach with wood screws (Diagram 4).

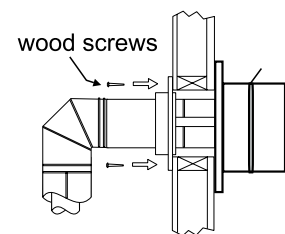


Diagram 4

UNIT INSTALLATION WITH VERTICAL TERMINATION (Rigid Systems)

Note: A clearance of 50mm must be maintained. We recommend framing a 279mm x 279mm (inside dimensions) hole to give structural rigidity for mounting the termination.

1. Do not pack air spaces with insulation. Check "Flueing Arrangement - Vertical Termination" section for the maximum vertical rise of the flueing system and the maximum horizontal offset limitations.

2. Set the gas appliance in its desired location. Drop a plumb bob down from the ceiling to the position of the appliance flue exit, and mark the location where the flue will penetrate the ceiling. Drill a small hole at this point. Next, drop a plumb bob from the roof to the hole previously drilled in the ceiling, and mark the spot where the flue will penetrate the roof. Determine if ceiling joists, roof rafters or other framing will obstruct the flueing system. You may wish to relocate the appliance or to offset, as shown in Diagram 2 to avoid cutting load bearing members.

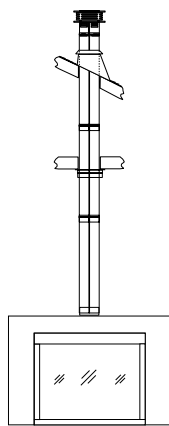


Diagram 1

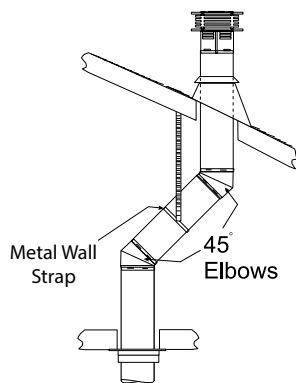


Diagram 2

3. Cut a hole large enough to allow for proper clearances and or large enough for heat to escape cavity. .

4. Assemble the desired lengths of pipe and elbows. Ensure that all pipes and elbow connections are in the fully twist-locked position and sealed.

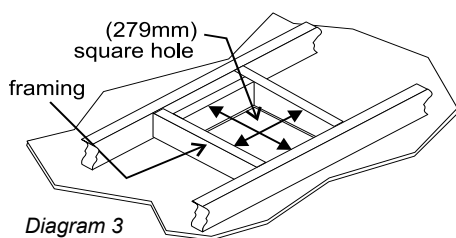
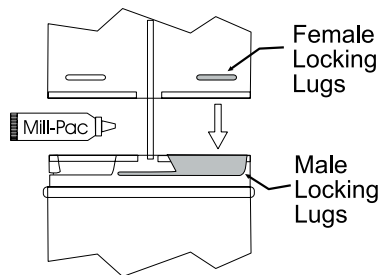


Diagram 3

Note: For best results and optimum performance with each approved flueing system, "Mill-Pac" sealant to every inner pipe connection. Failure to do so may result in drafting or performance issues not covered under warranty.



5. Cut a hole in the roof centered on the small drilled hole placed in the roof in Step 2. The hole should be of sufficient size to meet the minimum requirements for clearance to combustibles of 50mm.

6. Continue to assemble pipe lengths.

Note: If an offset is necessary in the roof space to avoid obstructions, it is important to support the flue pipe every 0.9 meter, to avoid excessive stress on the elbows, and possible separation. Metal Wall straps can be used (Diagram 2). Do not combine flueing components from other manufacturers.

Galvanized pipe is desirable above the roofline due to its higher corrosion resistance. Continue to add pipe sections through the flashing until the height of the flue cap meets the minimum height requirements specified in local codes. Note that for steep roof pitches, the vertical height must be increased.

"THIS UNIT MUST ALWAYS TERMINATE / FLUE DIRECTLY TO THE OUTDOORS."

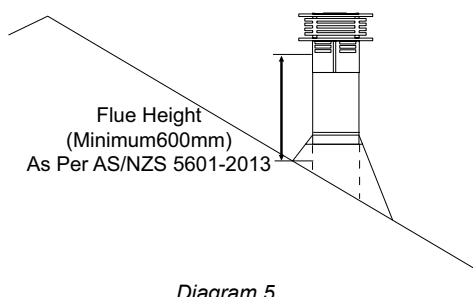


Diagram 5

A poor draft, or down drafting can result from high wind conditions near big trees or adjoining roof lines, in these cases, increasing the flue height may solve the problem. Maximum height is 6.7 meters.

7. Penetrate roof and secure flashing (supplied by installer)

8. Install the vertical termination cap .

Note: Any closets or storage spaces, which the flue passes through must be enclosed.

installation

UNIT INSTALLATION

(With Horizontal Termination Flex System)

Note: A top clearance of 76mm and side & bottom clearance of 51mm must be maintained; except when passing through a wall, ceiling, or at the termination where the use of a wall thimble reduces the required clearance to 38mm. We recommend framing a 279mm x 279mm (inside dimensions) hole to give structural rigidity for mounting the termination.

1. Locate the unit in the framing, rough in the gas (preferably on the right side of the unit). Locate the centerline of the termination and mark wall accordingly. Cut an 279mm hole in the wall (inside dimension).
2. Level the fireplace and fasten it to the framing using nails or screws through the nailing strips.
3. Assemble the flue assembly by applying Mill Pac to the 127mm inner collar of the termination and slipping the 127mm liner over it at least 35mm. Fasten with the 3 screws (drilling pilot holes will make this easier). Apply Mill Pac or high temperature silicone to the 203mm flex pipe and slip it over the outer collar of the vent terminal at least 35mm and fasten with the 3 screws.

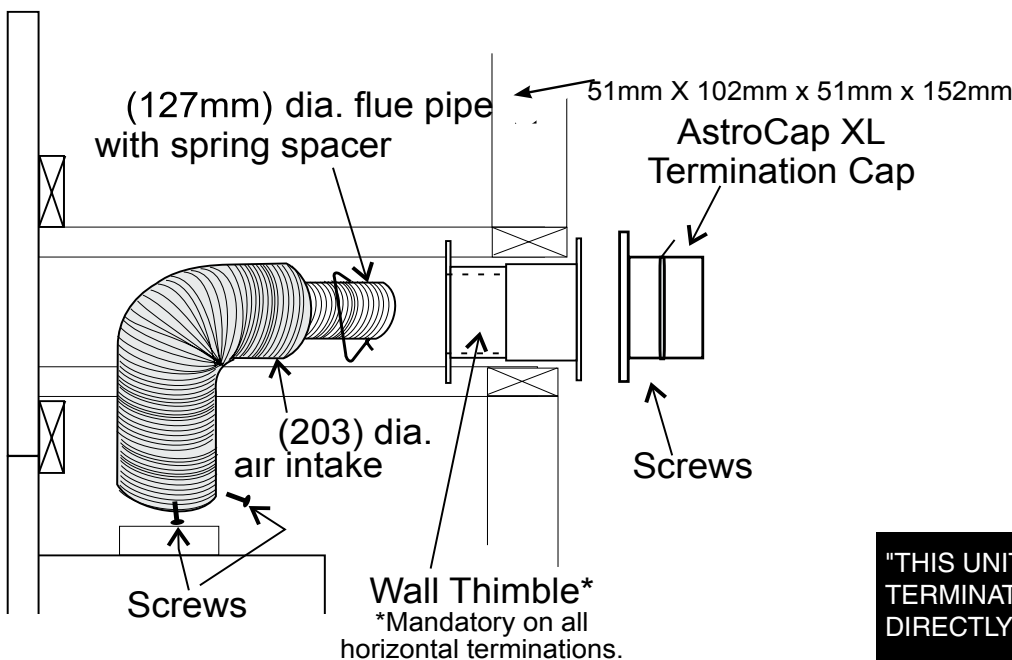
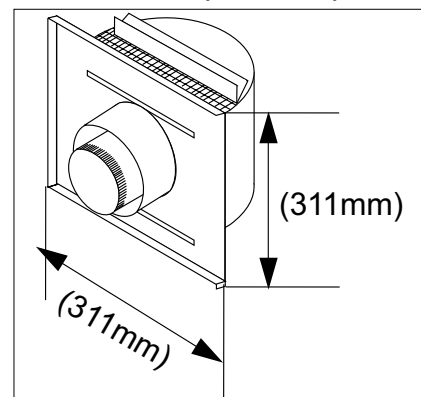
NOTE: Horizontal sections must be supported at intervals not exceeding 0.9 meter. (Flame picture and performance will be affected by sags in the liner).

4. Separate the 2 halves of the wall thimble and securely fasten the one with the tabs to the outside wall making sure that the tabs are on top and bottom. Fasten the other thimble half to the inside wall. The thimble halves slip inside each other and can be adjusted for 51 x 102mm x 51mm x 152mm walls.
5. Slip the assembled liner and termination assembly through the thimble making sure the termination cap faces up (there are markings on the cap that show which way is up). This will position the termination cap with proper down slope for draining water. Fasten the cap to the outer wall with the 4 supplied screws.
6. Pull the centre 127mm liner and outer 203mm liner out enough to slip over the flue collars of the fireplace. (You may wish to cut the liner shorter to make it more workable.) Do not bend liner more than 90°. **The liners must slip over the collars a minimum of 35mm.**
7. Apply Mill Pac over the fireplace inner collar and slip the 127mm liner down over it and attach with 3 supplied screws.

8. Do the same with the 203mm liner.
9. Apply a bead of silicone between the thimble and termination and around the outer edge of the terminal at the wall in order to keep the water out.

IMPORTANT: Do not locate termination hood where excessive snow or ice buildup may occur. Be sure to check flue termination area after snow falls, and clear to prevent accidental blockage of flueing system. When using snow blowers, make sure snow is not directed towards vent termination area.

ASTROCAP XL DIMENSIONS (946-623/P)



**"THIS UNIT MUST ALWAYS
TERMINATE / FLUE
DIRECTLY TO THE OUTDOORS."**

GF1500L-NG SYSTEM DATA

Min. Supply Pressure	1.13 kpa
Low Setting Man. Pressure	0.4kpa
Max. Manifold Pressure	0.87 kpa
Injector Size	#29 DMS (3.40 mm)
Minimum Input	36.9 MJ/hr
Maximum Input	50 MJ/hr

GF1500L-LP SYSTEM DATA

Min. Supply Pressure	2.75 kpa
Low Setting Man. Pressure	1.6 kpa
Max. Manifold Pressure	2.49 kpa
Injector Size	#47 DMS (1.95 mm)
Minimum Input	37.9 MJ/hr
Maximum Input	49 MJ/hr

GF1500L-ULPG SYSTEM DATA

Min. Supply Pressure	2.75 kpa
Low Setting Man. Pressure	1.6 kpa
Max. Manifold Pressure	2.49 kpa
Injector Size	#49 DMS (1.05mm)
Minimum Input	33.7 MJ/hr
Maximum Input	44 MJ/hr

HIGH ELEVATION

This unit is approved for altitude 0 to 1372m.

GAS LINE INSTALLATION

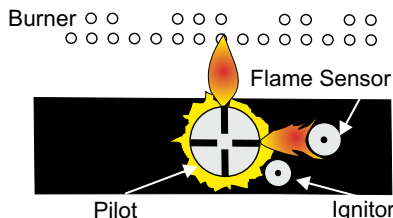
Since some municipalities have additional local codes it is always best to consult with your local authorities.

When using copper or flex connectors use only approved fittings. Always provide a union so that gas lines can be easily disconnected for servicing. Flare nuts for copper lines and flex connectors are usually considered to meet this requirement.

NOTE: A approved shutoff valve should be supplied in or near the unit (or as per local codes) for ease of servicing this appliance.

PILOT ADJUSTMENT

Periodically check the pilot flames. Correct flame pattern has two strong blue flames: 1 flowing around the flame sensor and 1 flowing across the burner (it does not have to be touching the burner).



Note: If you have an incorrect flame pattern, contact your Regency® dealer for further instructions.

Incorrect flame pattern will have small, probably yellow flames, not coming into proper contact with the rear burner or flame sensor.

GAS PIPE PRESSURE TESTING

The appliance must be isolated from the gas supply piping system by closing its individual manual shut-off valve during any pressure testing of the gas supply piping system at test pressures equal to or less than 3.45 kPa. Disconnect piping from valve at pressures over 3.45kPa.

The manifold pressure is controlled by a regulator built into the gas control, and should be checked at the pressure test point.

Note: To properly check gas pressure, both inlet and manifold pressures should be checked using the valve pressure ports on the valve.

1. Make sure the unit is in the "OFF" position.
2. Loosen the "IN" and/or "OUT" pressure tap(s), turning counterclockwise with a suitable wide flat screwdriver.
3. Attach manometer to "IN" and/or "OUT" pressure tap(s) using a suitable ID hose.
4. Turn the unit on with the remote or manual switch
5. The pressure check should be carried out with the unit burning and the setting should be within the limits specified on the safety label.

NOTE: All the adjustments must be carried out in the following order:

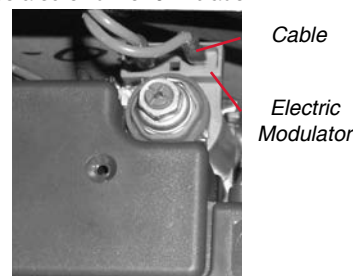
Remove the modulator plastic cap (A) using needle nose pliers.

Maximum pressure: Turn the unit ON to its highest input rating. Screw in the nut (B) to increase the outlet pressure and screw it out to decrease it. Use a 10 mm wrench.

NOTE: Do not screw in nut too far. If no pressure increases after two full turns, place manometer on inlet test point on gas valve and check flowing inlet pressure.

NOTE: The outlet pressure must be set to maximum 2.49 kPa for both LP/ULPG and 0.87 kPa for NG.

Minimum pressure: Remove one of the cables connected to the electric modulator. While holding the nut (B) with a wrench, screw in the screw (C) to increase the pressure and screw it out to decrease it. Use a screwdriver 6x1 blade.

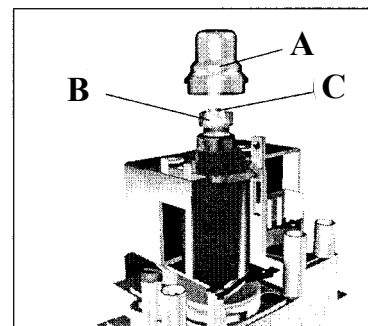


After carrying out all adjustments, block the setting screws with paint, taking care not to obstruct the breather orifice of the pressure.

Put back the modulator plastic cap.

WARNING: To ensure the correct operation of the modulator it is necessary that the plastic cap (A) is returned to its original location.

NOTE: The outlet pressure must be set to minimum 1.6 kPa. for both LP/ULPG and 0.4 kPa for NG.



6. Turn on gas supply and plug in power cord.
7. At the end of all setting and adjustment operations, check electrical installation and gas leaks.
8. Check operation of flame control.
9. Check for proper flame appearance and glow on logs.
10. When finished reading manometer, turn off the unit, disconnect the hose and tighten the screw (clockwise) with a suitable flat screwdriver.

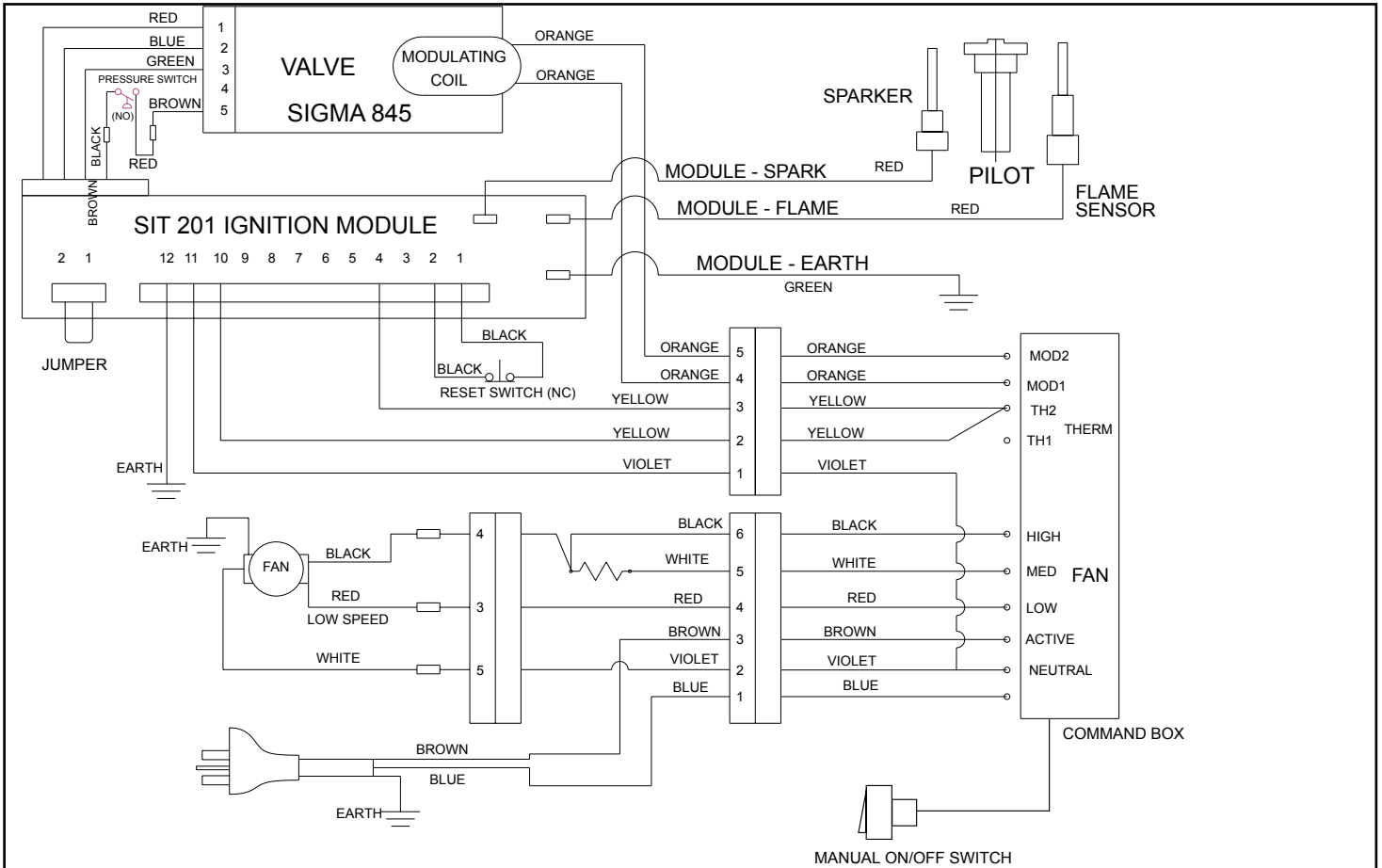
Note: Screw should be snug, but do not over tighten.

Installer Notice:
These instructions must be left with the appliance.

installation

WIRING DIAGRAM

DISCONNECT POWER SUPPLY TO UNIT PRIOR TO WORKING ON ELECTRICAL COMPONENTS.

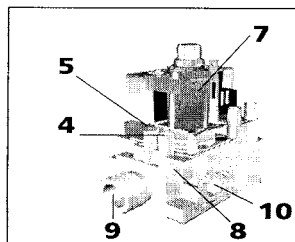
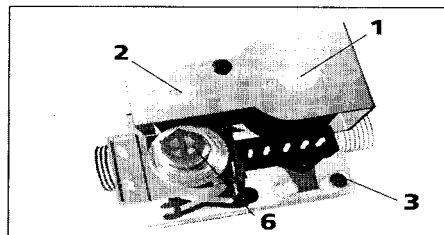


Caution: Ensure that the wires do not touch any hot surfaces and are away from sharp edges.

CAUTION: Label all wires prior to disconnection when servicing controls. Wiring errors can cause improper and dangerous operation.

845 S.I.T. VALVE DESCRIPTION

- 1) On-Off Solenoid Valve EV1
- 2) On-Off Solenoid Valve EV2
- 3) Inlet Pressure Test Point
- 4) Outlet Pressure Test Point
- 5) Connection for Pressure Regulator/Combustion Chamber Compensation
- 6) Pressure Regulator for Minimum and Maximum Outlet Pressure
- 7) Gas Outlet Pressure Electric Modulator
- 8) Pilot Outlet
- 9) Main Gas Outlet



AERATION ADJUSTMENT

The burner aeration is factory set but may need adjusting due to either the local gas supply or altitude. Open the air shutter for a blue flame or close for a more yellow flame.

Minimum Air Shutter Opening:

NG	18mm
LP	Full Open
ULPG	Full Open

Note: Any damage due to carboning resulting from improperly setting the aeration controls is NOT covered under warranty.

**CONVERSION KIT FROM NG TO LP/ULPG
FOR GF1500L USING SIT 845 NOVA GAS VALVE**

**THIS CONVERSION MUST BE DONE BY A QUALIFIED GAS FITTER
IF IN DOUBT DO NOT DO THIS CONVERSION !!**

Each Kit contains one LP / ULPG Conversion Kit		
Qty.	Part #	Description
1	904-431	Burner Orifice#49 ULPG
1	904-434	Burner Orifice #47 LP
1	918-590	Decal "Converted to LP"
1	908-528	Red Propane Label
1	918-272	Conversion to ULPG decal
1	904-529	5/32" Allen Key
1	910-037	Injector Orifice LP #30
1	918-273	Red ULPG label
1	919-586	Instruction Sheet

6. Remove burner by removing 3 screws in locations shown below.

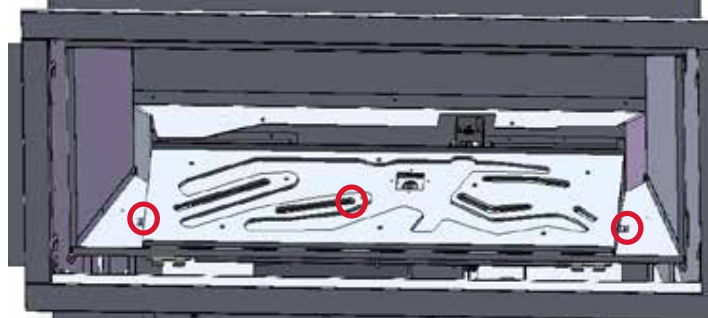


Diagram 2 - Burner Screw Locations

7. Pull off the pilot cap to expose the pilot orifice (see right).

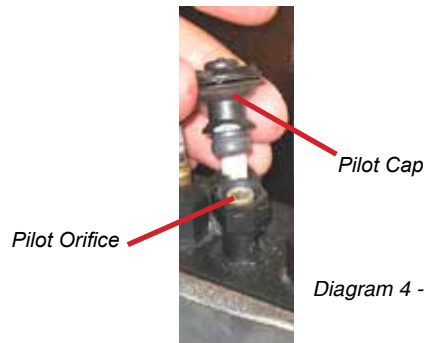
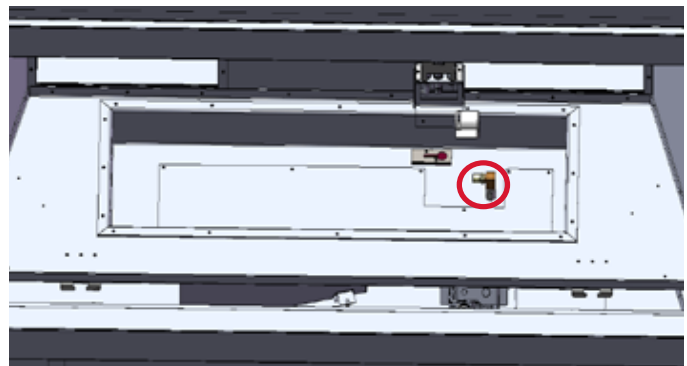


Diagram 4 - Remove Pilot Cap

8. Unscrew the pilot orifice with the Allen key and replace with the LP/ULPG pilot orifice in the kit and replace pilot cap (see right).



9. Remove burner orifice with a 12mm spanner and discard. Use another spanner to hold on to the elbow below the orifice.



IT WOULD BE BENEFICIAL TO CONVERT THE APPLIANCE PRIOR TO THE UNIT BEING INSTALLED OR WALL FACING MATERIAL FITTED WHICH ALLOWS ACCESS TO THE BOTTOM PANEL.

PRIOR TO CONVERSION, ENSURE UNIT HAS COOLED TO ROOM TEMPERATURE, ALL POWER IS DISCONNECTED AND GAS SUPPLY IS TURNED OFF.

1. Remove faceplate, inner frame, glass door, front trim piece- see instructions in this manual.
2. Remove logs.
3. Remove Inner panels
4. Remove burner side panels by lifting out as shown in Diagram 1.

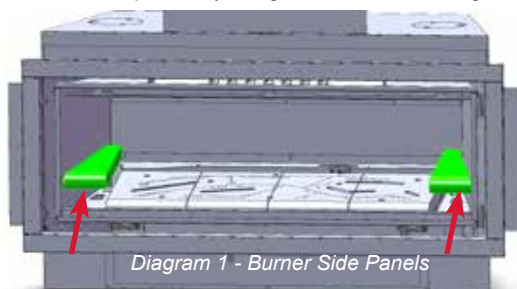


Diagram 1 - Burner Side Panels

5. Remove rear log tray by removing 3 screws as shown in Diagram 3 below.

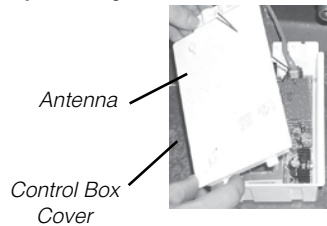


Diagram 3 - Rear Log Tray Screw Locations

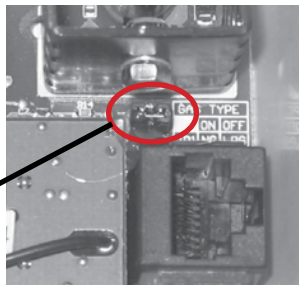
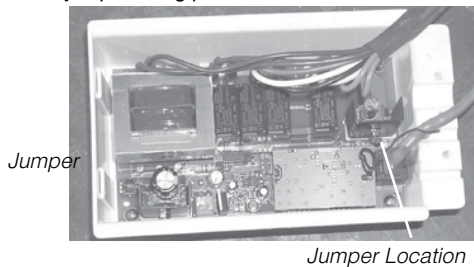
installation

10. Reinstall new burner orifice LP/ULPG and tighten.
11. Replace the yellow "NG" label with the red "LP or ULPG" label.
12. Carefully pull out the control box.

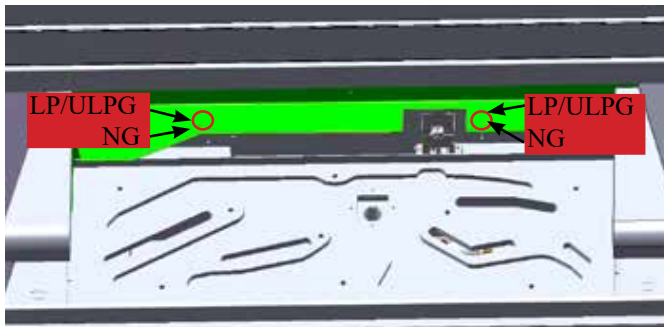
NOTE: The control box is held in place with velcro.
13. Remove the heat shield from the control box by removing the 2 screws.
14. Remove the control box cover by undoing the 3 screws. Manoeuvre through antenna.



15. Remove the jumper using pliers.



16. Reverse steps 14-12, 6 to reinstall.
17. Unscrew the 2 front NG log pins. Relocate those pins to the rear holes and reinstall.



18. Reverse steps 5-1.
19. Adjust Air shutter to fully open for both LP/ULPG.
20. Turn on gas supply and plug in power cord.

21. Adjusting the Outlet Pressure

All the adjustments must be carried out in the following order:

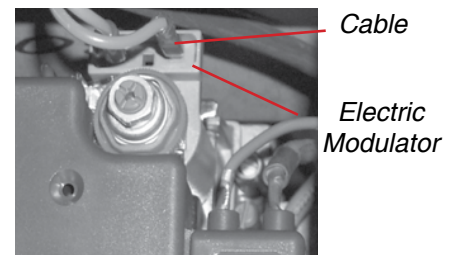
Remove the modulator plastic cap (A) using needle nose pliers.

Maximum pressure: Turn the unit ON to its highest input rating. Screw in the nut (B) to increase the outlet pressure and screw it out to decrease it. Use a 10 mm spanner.

NOTE: Do not screw in nut too far. If no pressure increases after two full turns, Place manometer on inlet test point on gas valve and check flowing inlet pressure.

NOTE: The maximum outlet pressure must be set to 2.49 kPa.

Minimum pressure: Remove one of the cables connected to the electric modulator. While holding the nut (B) with a wrench, screw in the screw (C) to increase the pressure and screw it out to decrease it. Use a suitable screwdriver.

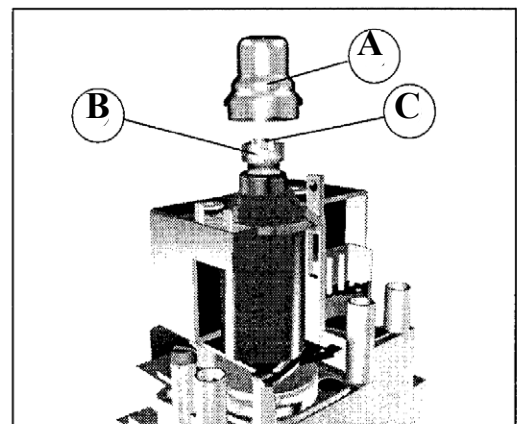


After carrying out all adjustments, block the setting screws with paint, taking care not to obstruct the breather orifice of the pressure.

Put back the modulator plastic cap.

WARNING: To ensure the correct operation of the modulator it is necessary that the plastic cap (A) is returned to its original location.

NOTE: The minimum outlet pressure must be set to 1.6 kPa.



22. Turn on gas supply and plug in power cord.
23. At the end of all setting and adjustment operations, check electrical installation and gas leaks.
24. Check operation of flame control.
25. Check for proper flame appearance and glow on logs.

Installer Notice:
These instructions must be left with the appliance.

OPTIONAL FAN DUCTING KIT INSTALLATION

LISTINGS AND CODE APPROVALS

This Fan Kit has been approved for use with GF1500L.

NOTE: ENERGY LABEL RATINGS DO NOT REFLECT INSTALL OF OPTIONAL FAN KIT.

Check with your local building code agency before you begin your installation to ensure compliance with local codes, including the need for "permits" and follow-up inspections. If any problems are encountered regarding code approvals, or if you wish clarification on any of the instructions contained here, contact your local dealer.

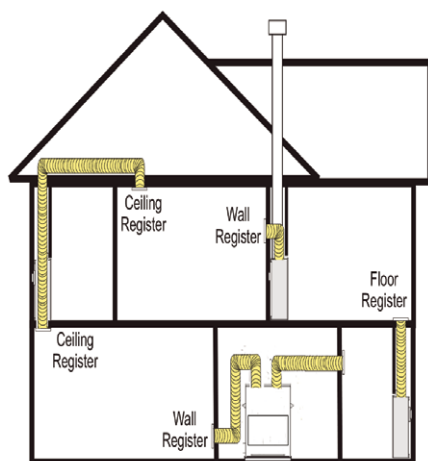


Diagram 1: Guide for possible air duct runs and locations. Keep duct length and number of bends to a minimum. Maximum duct length is 9.0m. The Extension Kit contains a maximum of up to 4.5m. Please purchase the Fan Duct Extension Kit to increase the 9.0m

Item No.	Description	No	Description
1	240V Fan Assembly	7	Aluminum Flex 4.5m
2	Duct Flange-Fan		
3	Adapter Round to Oval	8	Duct Flange-Stove
4	Angle Bracket	9	Sidewall Grille
5	Junction Box	10	Connector Clamp
6	Wall Adapter Plate		

NOTE: The fan kit (946-591) does not contain any ducting. The optional extension duct kit (7 in the noted table) is 4.5 metres in length and its part number is 946-596.

GENERAL INFORMATION

The Fan Kit increases the effectiveness of your fireplace by dispersing warm air from the fireplace to remote locations in the same room or other rooms in your home.

Up to two kits may be installed on the fireplace.

Important Installation Notes

1. The appliance installation must conform with local codes and installation codes.
2. The appliance when installed, must be electrically grounded in accordance with local codes.
3. This kit is tested and safe when installed in accordance with this installation manual. Please read all instructions before starting installation and follow all instructions carefully during installation.
4. Installation of this kit must be performed by a qualified service technician.
5. The Fan Kit must be installed only as specified. Any modifications of the kit or components will void the warranty and may cause a fire hazard.
6. Plan the location of the fireplace and the warm air duct runs, see diagram 1 as a guide for possible duct runs and locations.

Maximum Duct Run: 9.0m
Kit Contains 4.5m

If you require more than 4.5m please purchase Fan Duct Extension Kit.

NOTE: Airflow through the duct system is affected by the duct length and number of bends. Keep the length and bends to a minimum to maximize performance.

MINIMUM FRAMING CLEARANCES

* Wall studs must be 407mm on center for mounting fan housing.

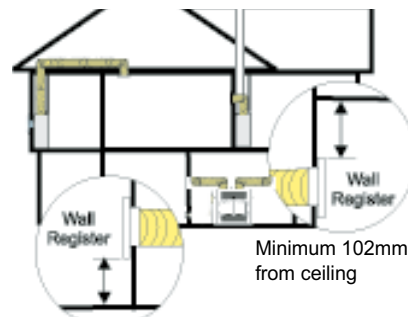
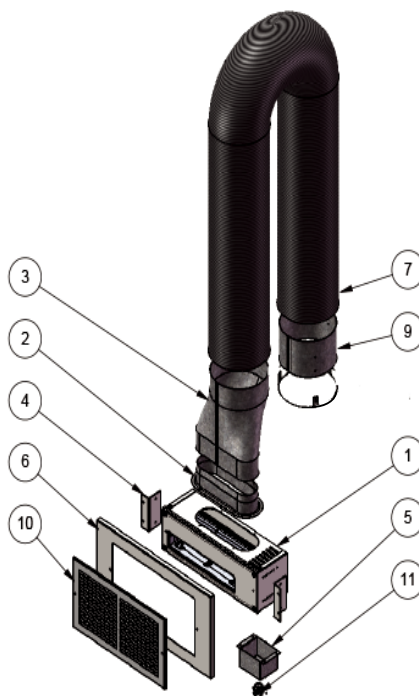
* Fan Housing: Maintain a 6mm clearance from fan housing to combustible material.

* Wall Registers must be 102mm above floor and / or 102mm below ceiling.

1. Determine the location of the air register/fan housing assembly. Cut a 121mm x 406mm hole between framing members (wall studs or floor joists). Maintain a 6mm clearance from fan housing to combustible material. See Framing Clearances section.

MINIMUM FAN DUCT CLEARANCES

The fan ducting requires a minimum of 25mm clearance to combustibles.



Minimum 102mm from floor

Minimum 102mm from ceiling

installation

NOTE: Installation of Fan Kit should be done prior to installation of the wall.

2) Mount and secure the fan housing assembly to framing members, the front of the fan housing will protrude 12.7mm out of the wall so it may be finished with drywall, etc. See diagram 2

3. Install the air duct run. Secure the duct to the duct collar on the unit and the fan housing with 3 screws per end and aluminum duct tape.

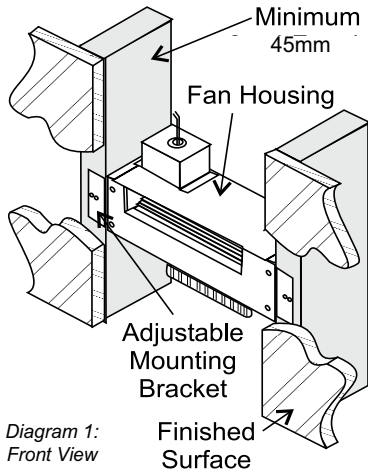


Diagram 1: Front View

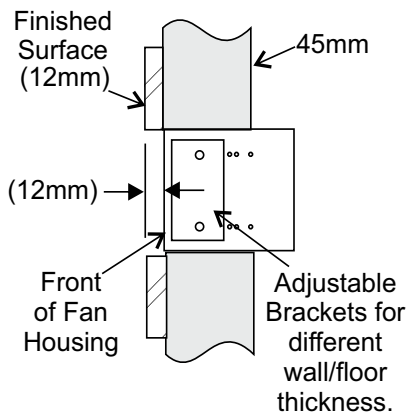


Diagram 2: Side View - Secure fan housing to minimum 45mm framing.

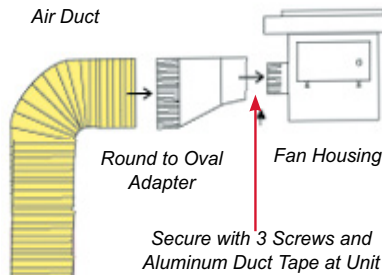
Round Air Duct: Attach the 152.4mm round air duct (supplied) to the fireplace collar and run the duct to the fan housing. Attach the round-to-oval adapter to the fan housing and the air duct to the adapter. 4. Install the On/Off switch in a convenient location. This switch controls the fan operation.

NOTE: Variable speed or Rotary 3 speed switch can be fitted.

5. Wire up the the fan, wall switch and power supply per local codes. See wiring diagram as reference. *Electrician to supply wiring.

6. Screw fan junction box to the fan housing.

919-592



7. Screw the Register Adapter Frame and the Air Register to the Fan Housing See diagram 4.

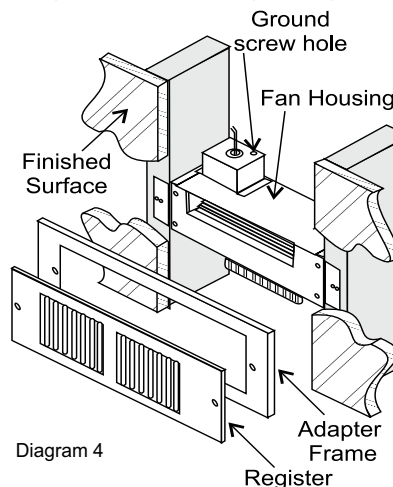
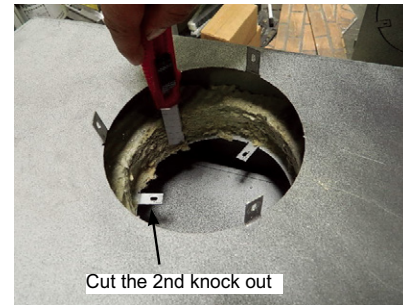
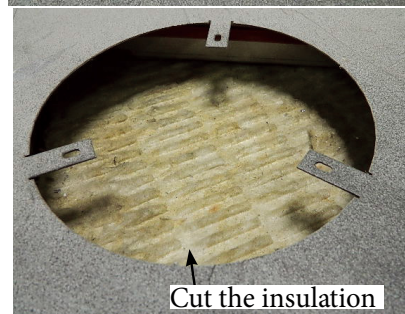
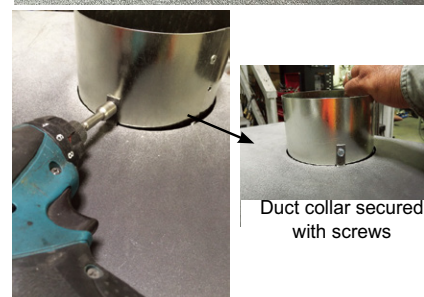


Diagram 4

8) Remove the knock out on the top of the unit. Cut away the insulation in a circular motion. Remove the second knock out, that is below the layer of insulations.



9) On the top of the unit, bend the 3 tabs up. Insert the Duct collar. Secure the collar to the 3 tabs with screws.



10) You are now ready to attach fan duct to the unit. Slide the ducting over the collar and secure with screws.



11) Final step is to double check the fan ducting connections at both the unit and fan. Next ensure there is a minimum of **25mm clearance to combustibles**. Strap and secure the fan duct. Double check the operation of the fan and all electrical work is completed.

In order to use the fan extension duct kit, you must have fan kit. This kit allows you to extend the fan duct to 9m.

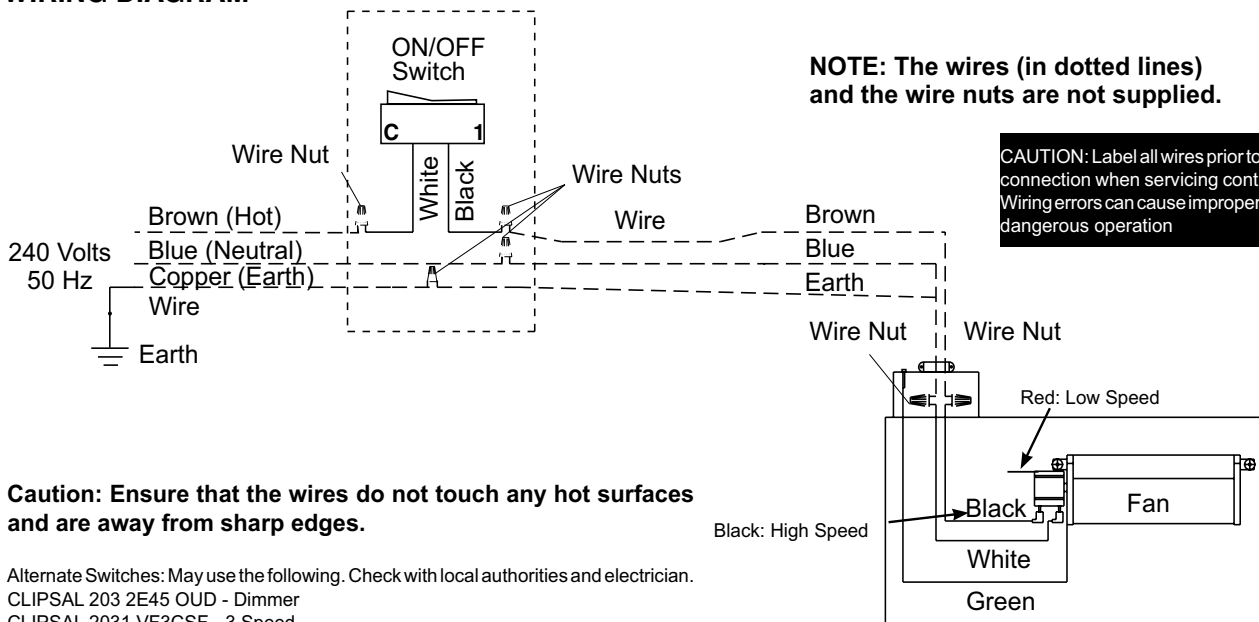
1. Attach the connecting collar to the duct that came with the duct kit. Use the screws provided.



2. Attach the 4.5m duct within this kit to the connecting collar on the opposite end with the screws provided. Extend the flex to the desired length.



WIRING DIAGRAM



installation

LOG SET INSTALLATION

Read the instructions below carefully and refer to the images. If the logs are broken do not use the unit until they are replaced. Broken logs can interfere with pilot operation.

Improper positioning of the logs may create carbon build-up and can alter the unit's performance which is not covered under warranty.

Log kit # 606-930 contains the following pieces:

	Description
1	Log 1-Rear Log
1	Log 2- Left log
1	Log 3- Center Log
1	Log 4- Right Log
1	Log 5- Front left Log Piece
1	Log 6- Front Center Log piece
1	Log 7- Front Right Log piece
1	Bag Embers

1. Install the supplied embers on exposed screw holes located on top of the ceramic burner as shown in Diagram 2.

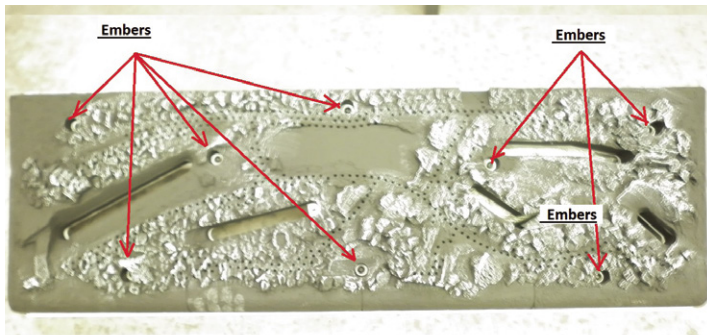


Diagram 2

2. Line up locators on Log 1 with corresponding locators on Log Tray as shown in Diagram 3.

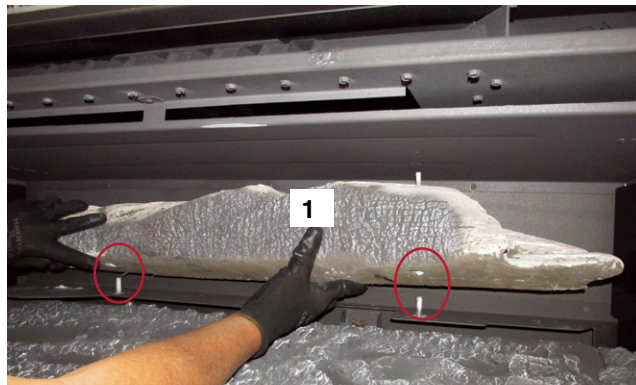


Diagram 3

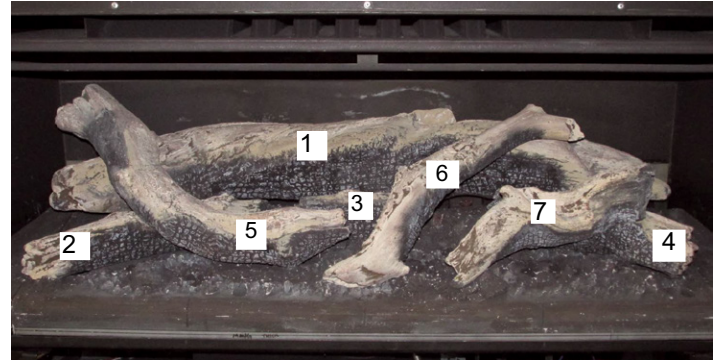


Diagram 1
Complete Log Install and Log Identification

3. Line up locators on Log 2 with corresponding locators on Ceramic Log Burner as shown in Diagram 4 and 5.

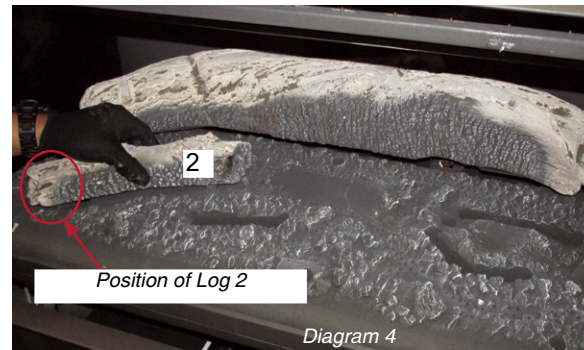


Diagram 4

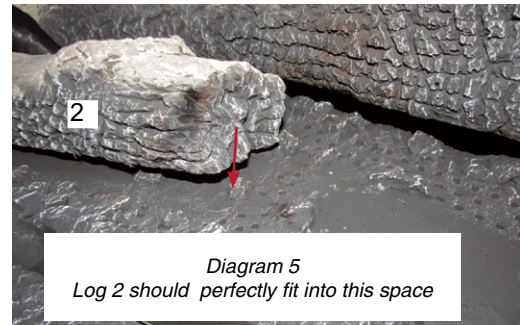


Diagram 5
Log 2 should perfectly fit into this space

4. Line up locator on Log 3 with corresponding locator on Ceramic Log Burner as shown in Diagram 6.

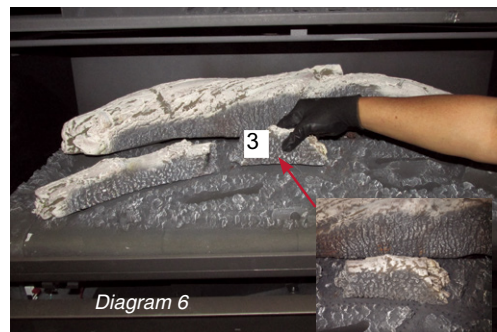


Diagram 6

5. Line up locator on Log 4 with corresponding locator on Ceramic Log Burner as shown in Diagram 7.

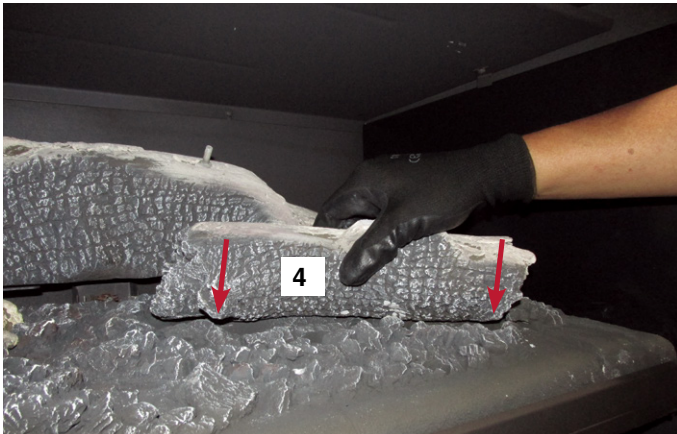


Diagram 7

6. Rest Log 6 on Log 1 and also on the Ceramic log Burner as shown in Diagram 10.

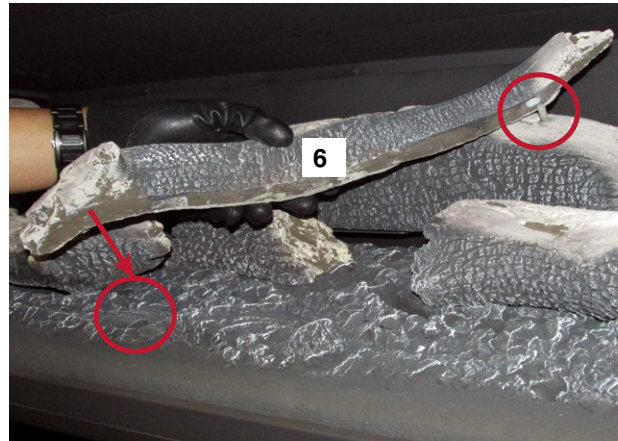


Diagram 10

6. Rest Log 5 on Log 2 and Log 1 and also on the Ceramic log Burner as shown in Diagram 8 and Diagram 9.

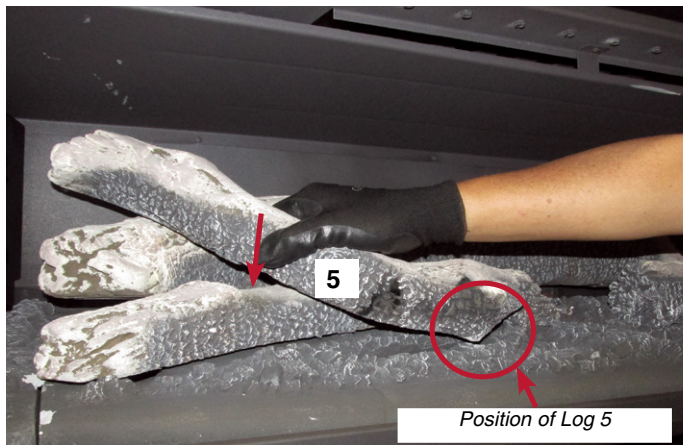


Diagram 8

7. Rest Log 7 on Log 4 and also on the ceramic Log Burner as shown in Diagram 11.

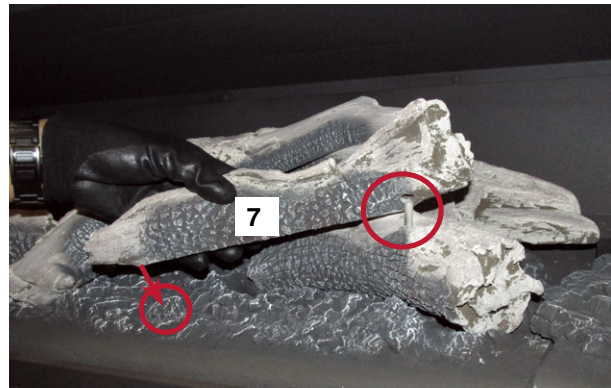


Diagram 11

8. Log 7 in final position shown in Diagram 12.



Diagram 12

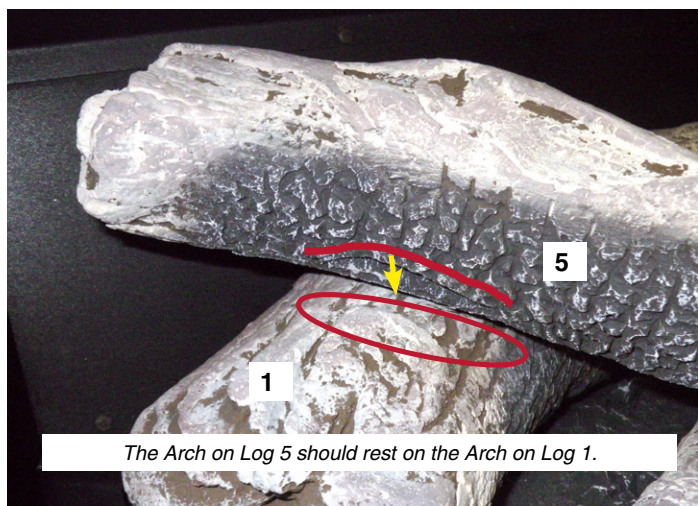


Diagram 9

installation

FRONT TRIM REMOVAL / INSTALLATION

1. Remove faceplate, inner door frame, and glass door if already installed - see instructions in this manual.
2. Remove two (2) screws in locations shown below to remove front trim piece.
3. Reverse steps to reinstall.

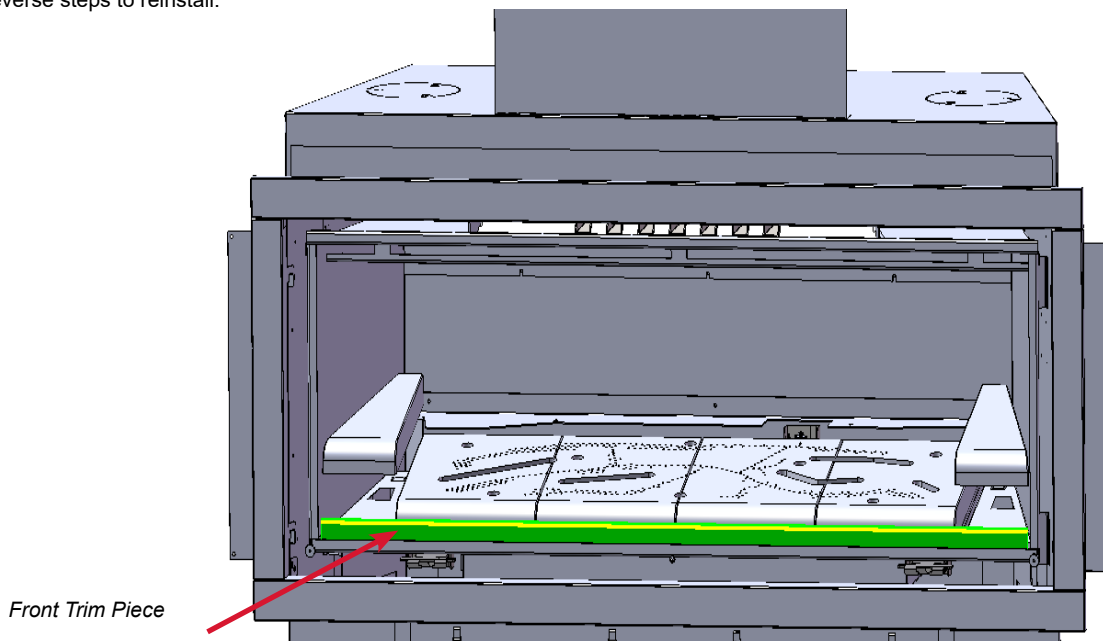
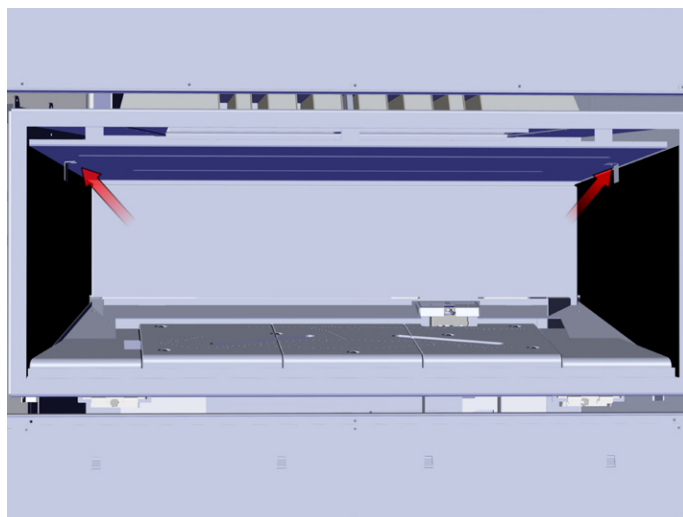


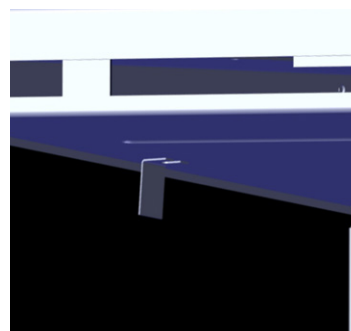
Diagram 1 - Front Trim Screw Locations

INNER PANEL REMOVAL / INSTALLATION

1. Remove front trim piece - see instructions above.
2. Remove two (2) screws in locations shown below to release panel clips.

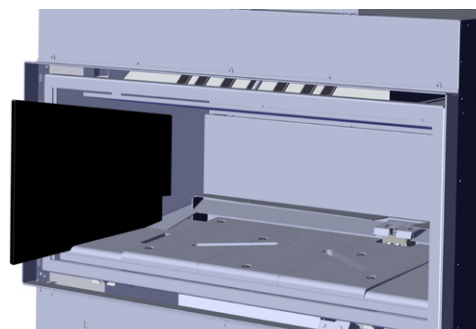


Panel Clip Screw Locations



Panel Clip

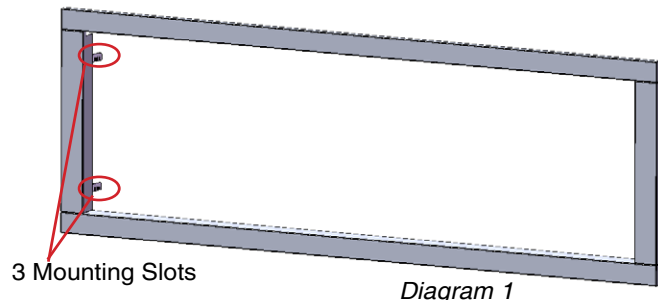
3. Remove panels by sliding out.



4. Reverse steps to reinstall.

FACEPLATE AND DEFLECTOR INSTALLATION

1. Install the fascia to the unit by hooking the left and right side mounting brackets into the mounting slots at the side of the firebox as shown below.



NOTE: When installing the stainless steel fascia, gloves should be worn to prevent finger prints.



Diagram 2

NOTE: There are 3 mounting slots available, this is to accommodate any finishing that protrudes slightly beyond the faceplate. **Verona Faceplate Shown**

It is recommended that you use the first mounting slot (the one closest to the door frame overlay) out of the 3 so that the faceplate and door frame overlay are flush with one another. See Diagram 2.

2. Install deflector by using 5 screws provided to the **underside** of the fascia as shown in Diagram 3 and 4.



Diagram 3

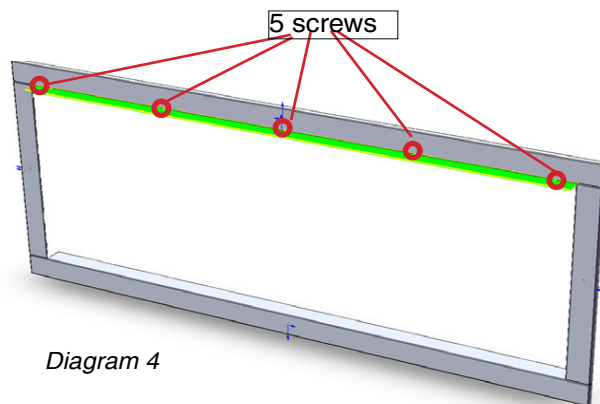


Diagram 4



Diagram 5

3. Hook the inner door frame to the unit. Refer to “Screen and Inner Door Frame Installation” in the manual prior to installing it on to the unit.

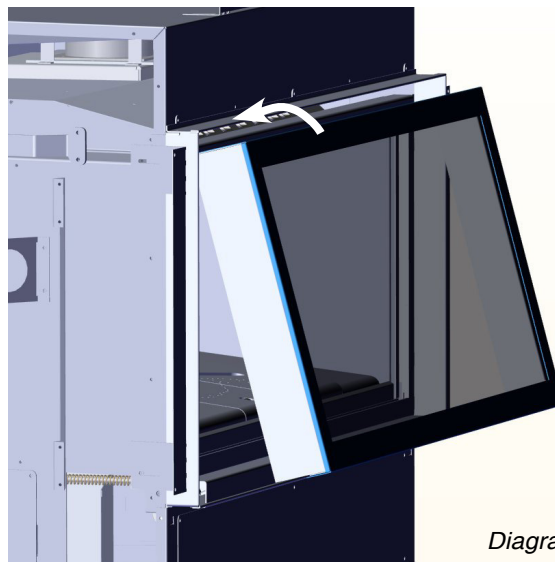


Diagram 6

4. Remove any finger prints/ marks prior to operating the unit.

5. **GF1500LST only:** Repeat Steps 1-4 to install Faceplate and Deflector on opposite side.

WARNING: Turn off the unit by way of the wall switch or remote. Allow unit to cool at least 10 min. - prior to removing the faceplate.

installation

SCREEN & INNER DOOR FRAME INSTALLATION

1. Hang Screen Mesh over Inner Door Frame as shown in Diagram 1.

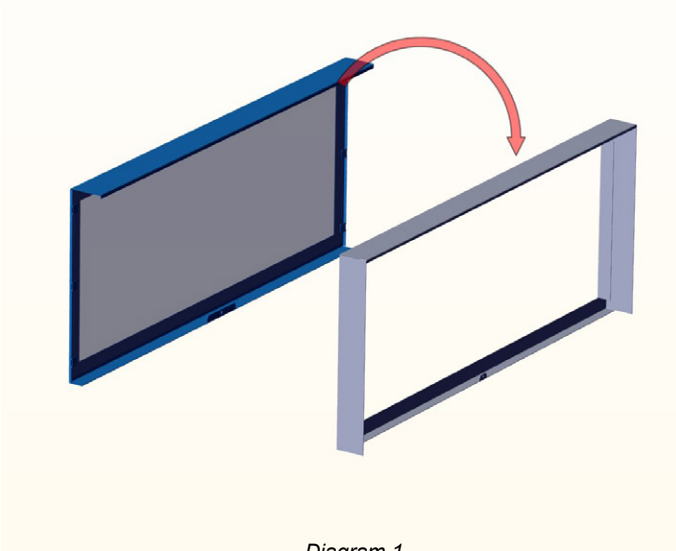


Diagram 1

2. Bend Tab on Screen Mesh to 90° as shown in Diagram 2. Secure to Inner Door Frame with one (1) screw as shown in Diagram 2a.

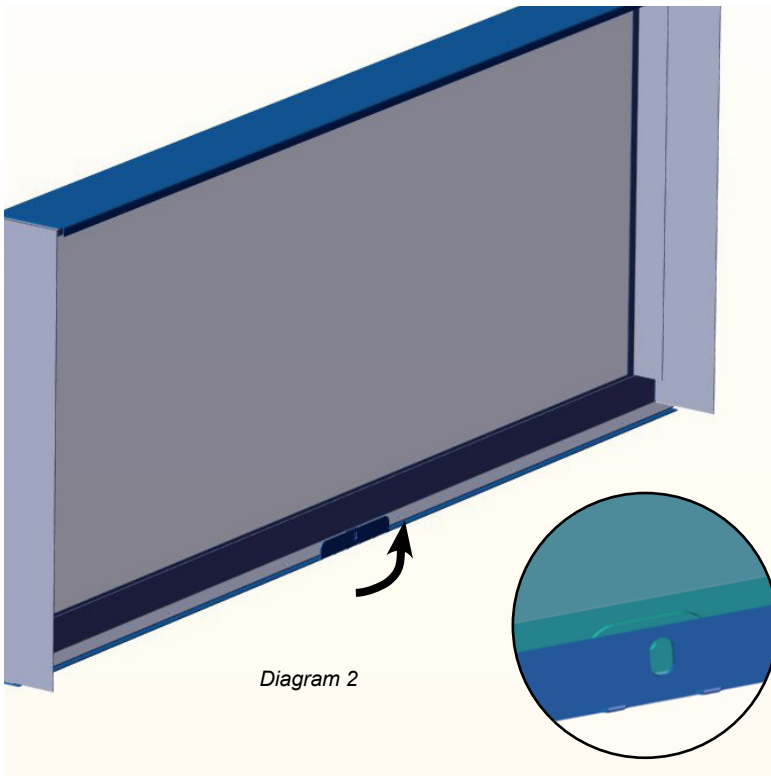


Diagram 2

Diagram 2a

3. Install Screen and Inner Door Frame to unit but hanging over glass door frame as shown in Diagram 3. Lower gently once in position over glass door frame.

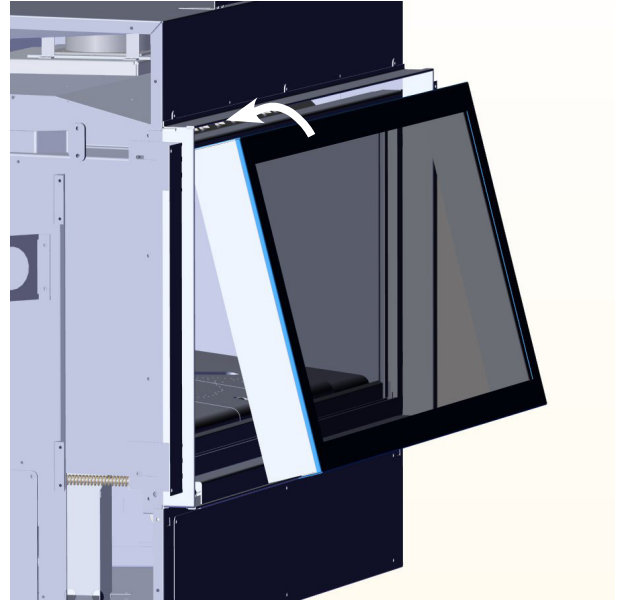
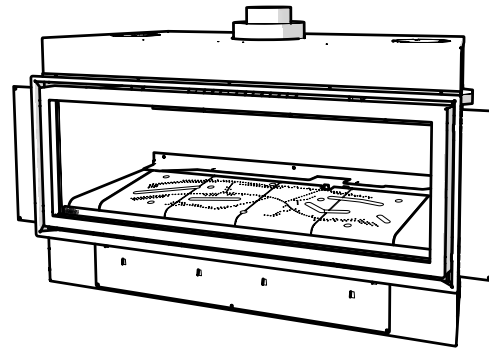
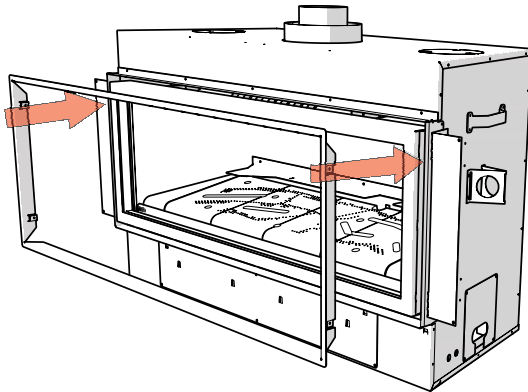


Diagram 3

OPTIONAL FINISHING TRIM INSTALLATION

1. Install the optional finishing trim by lining up trim with the outside of the fascia. Press trim inward firmly to seat onto the unit.

Note: magnets will keep the trim in place.



Finishing Trim Installed

2. Pull trim outward—away from the unit to remove.

operating instructions

OPERATING INSTRUCTIONS

Before operating this appliance, proceed through the following check list.

1. Read and understand these Instructions before operating this appliance.
2. Check to see that all wiring is correct and enclosed to prevent possible shock.
3. Check to ensure there are no gas leaks.
4. Make sure the glass door is in place. Never operate the appliance with the door glass removed.
5. Verify that all flueing and the termination cap is unobstructed.
6. Verify log placement.
7. The unit should never be turned off and on again without a minimum of a 60 second wait.
8. When lighting the appliance, the inside of the glass may fog up. This will burn off after a few minutes of operation.

LIGHTING INSTRUCTIONS

1. Plug the power cord into a power outlet or turn on adjacent isolation switch.
2. There is a black, manual, ON/OFF button located in the bottom left-hand corner of the unit. This button can be used if there is no remote control. The flame / fan patterns cannot be changed when using this button.
3. After approximately 3 seconds the spark ignition system will spark for 25 seconds to light the pilot burner, then main burner will light.
4. If the main burner does not light, repeat step 2 to restart the unit. See page 39 on "Resetting the unit".

SHUTDOWN INSTRUCTIONS

1. Press the ON/OFF switch once.
2. Turn off all electric power to the appliance if service is to be performed.

FIRST FIRE

The **FIRST FIRE** in your heater is part of the paint curing process. To ensure that the paint is properly cured, it is recommended that you burn your fireplace for at least four (4) hours the first time you use it.

When first operated, the unit will release an odour caused by the curing of the paint and the burning off of any oils remaining from manufacturing. Smoke detectors in the house may go off at this time. Open a few windows to ventilate the room for a couple of hours. The glass may require cleaning.

NOTE: The main burner will always start on "HIGH" and resume it's last setting after 20 seconds of operation.

NOTE: When the glass is cold and the appliance is lit, it may cause condensation and fog the glass. This condensation is normal and will disappear in a few minutes as the glass heats up.

DO NOT ATTEMPT TO CLEAN THE GLASS WHILE IT IS STILL HOT!

DO NOT BURN THE APPLIANCE WITHOUT THE GLASS FRONT IN PLACE.

REMOTE CONTROL

Use the Regency Remote Control Kit supplied with this unit. Use of other systems may void your warranty. See page 2 for pairing of remote.

The remote control kit comes with a hand held transmitter and a wall mounting plate.

1. Choose a convenient location to mount the hand held transmitter, protection from extreme heat is very important.

By using the wall mounting plate to house the transmitter, the remote can also be used as a wall thermostat.



SUMMARY OF CONTROLS

On/Off Button

If the unit is switched off, pressing and releasing this button once will switch the unit on. The unit will resume its last settings.

If the unit is switched on, pressing and releasing this button once will switch the unit off.

Flame:

Increase - If the unit is switched on, pressing and releasing the flame plus (+) button once will increase the flame height to the next available high setting.

Decrease - If the unit is switched on, pressing and releasing the flame minus (-) button once will decrease the flame height to the next available low setting.

Fan:

Increase - If the unit is switched on, pressing and releasing the fan plus (+) button once will increase the fan speed to the next available high setting.

Decrease - If the unit is switched on, pressing and releasing the fan minus (-) button once will decrease the fan speed to the next available low setting.

Note: the fan will not completely turn off on this unit.

FAN OPERATION

Set the fan speed on the control panel at the top rear of the unit to adjust to the desired speed.

Pressing and releasing the plus (+) FAN button will change the fan speed as follows:

LOW -> MEDIUM -> HIGH -> .

Fan cannot be turned off

Pressing and releasing the minus (-) FAN button will be the reverse of the above.

Fan must be running at all times when the unit is in operation.

ADJUSTING FLAME HEIGHT

There are six flame settings that can be adjusted by pressing and releasing the plus (+) and minus (-) FLAME button.

COPY OF LIGHTING PLATE INSTRUCTIONS

FOR YOUR SAFETY READ BEFORE LIGHTING

This appliance must be installed in accordance with the current AS/NZS 5601-2013

WARNING: If you do not follow these instructions exactly, a fire or explosion may result causing property damage, personal injury or loss of life. Improper installation, adjustment, alteration, service or maintenance can cause injury or property damage. Refer to the owner's information manual provided with this appliance. For assistance or additional information consult a qualified installer, service agency or gas supplier.

A) BEFORE LIGHTING smell all around the appliance area for gas. Be sure to smell next to the floor because some gas is heavier than air and will settle on the floor.

WHAT TO DO IF YOU SMELL GAS

- Do not try to light any appliance
- Do not touch any electric switch, do not use any phone in your building
- Immediately call your gas supplier from a neighbors phone. Follow the gas supplier's instructions.
- If you cannot reach your gas supplier, call the fire department.

B) Do not use this appliance if any part has been under water. Immediately call a qualified service technician to inspect the appliance and to replace any part of the control system and any gas control which has been under water.

This appliance needs fresh air for safe operation and must be installed so there are provisions for adequate combustion and ventilation air.

CAUTION: Hot while in operation. Do not touch. Severe Burns may result. Due to high surface temperatures keep children, clothing and furniture, gasoline and other liquids having flammable vapors away. Keep burner and control compartment clean. See installation and operating instructions accompanying appliance.

LIGHTING INSTRUCTIONS

STOP! Read the safety information above on this label.

- 1) Plug the power cord into a power outlet.
- 2) Press and release the ON/OFF button once to start the unit.

*ON/OFF function may be controlled by either Remote Wall Mount Control or ON/OFF control on the Unit.

- 3) After approximately 3 seconds the spark ignition system will spark for 25 seconds to light the main burner.
- 4) If the main burner does not light, check the gas and reset the unit.

TO TURN OFF GAS APPLIANCE

- 1) Press the ON/OFF button once.
- 2) Turn off all electric power to the unit if service is to be performed.

DO NOT REMOVE THIS INSTRUCTION PLATE

919-130a

NORMAL OPERATING SOUNDS OF GAS APPLIANCES

It is possible that you will hear some sounds from your gas appliance. This is perfectly normal due to the fact that there are various gauges and types of steel used within your appliance. Listed below are some examples. All are **normal operating sounds** and should not be considered as defects in your appliance.

Fan:

Regency gas appliances use high tech fans to push heated air farther into the room. It is not unusual for the fan to make a "whirring" sound when ON. This sound will increase or decrease in volume depending on the speed setting of your fan speed control.

Burner Tray:

The burner tray is positioned directly under the burner tube(s) and logs and is made of a different gauge material from the rest of the firebox and body. Therefore, the varying thicknesses of steel will expand and contract at slightly different rates which can cause "ticking" and "cracking" sounds. You should also be aware that as there are temperature changes within the unit these sounds will likely re-occur. Again, this is normal for steel fireboxes.

Gas Control Valve:

As the gas control valve turns ON and OFF, a dull clicking sound may be audible, this is normal operation of a gas regulator or valve.

Unit Body/Firebox:

Different types and thicknesses of steel will expand and contract at different rates resulting in some "cracking" and "ticking" sounds will be heard throughout the cycling process.

RESETTING THE UNIT

If the appliance goes to 'lockout', the system will have to be reset by depressing the reset button - located on the right side of the unit by outer door frame with the unit in the "ON POSITION" (fan running).

***Important:** Wait at least 5 min for any unburned gas to clear before resetting the appliance.

- 1) Press and hold down the reset button for at least 5-10 seconds.
- 2) The pilot sparks can be heard and seen at the back. It will take approximately 2 to 3 seconds for the flame to be lit.

NOTE: Wait 5 minutes between reset attempts.

NOTE: If unit fails to light after 25 seconds; wait 5 min, then manually reset using black button on the right hand side below outer door frame and follow the above steps.

WARNING:
DO NOT SPRAY AEROSOLS IN THE VICINITY OF THIS APPLIANCE WHILE IN OPERATION.



"Appliances incorporating a live fuel effect (designed to operate with blue flames with slight yellow tips) may exhibit slight carbon deposition."

maintenance

FAN SERVICE

PRIOR TO SERVICING THE FAN, ENSURE THAT UNIT HAS COOLED TO ROOM TEMPERATURE, ALL POWER IS DISCONNECTED AND GAS SUPPLY IS TURNED OFF.

1. Remove faceplate, inner frame, glass door, front trim piece and inner panels - see instructions in this manual.
2. Remove logs.
3. Remove burner side panels by lifting out as shown in Diagram 1.

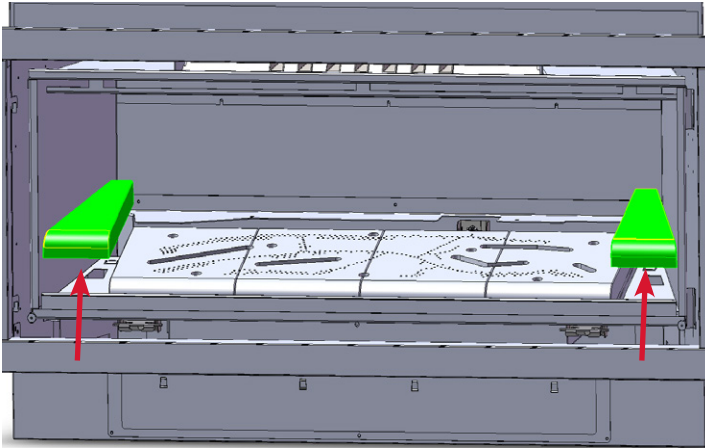
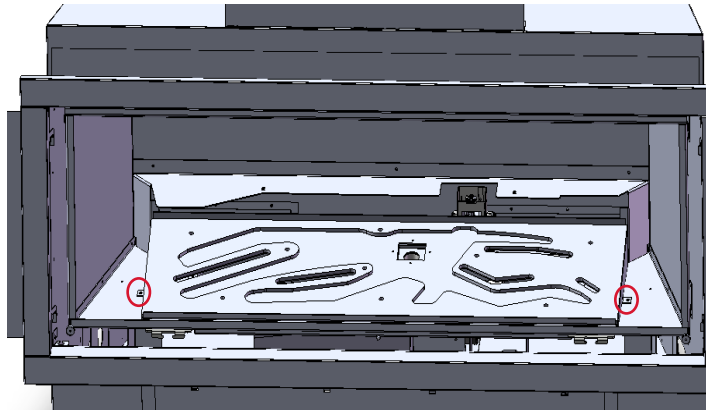


Diagram 1 - Burner Side Panels

4. Remove burner by removing 2 screws in locations shown below.



5. Remove rear log tray by removing 3 screws as shown in Diagram 3 below.

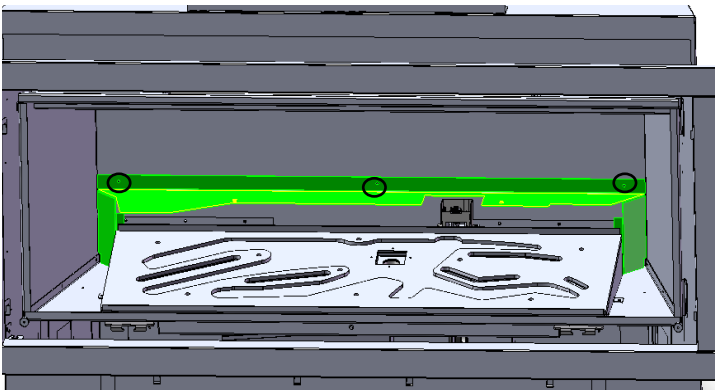
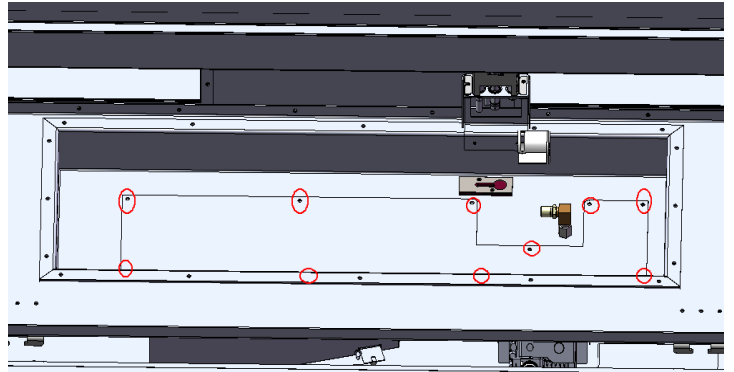


Diagram 3 - Log Tray screws

6. Remove access panel by removing eight(8) screws in locations shown in Diagram 4.



7. Loosen three (3) screws to remove heat deflector shown in Diagram 5.

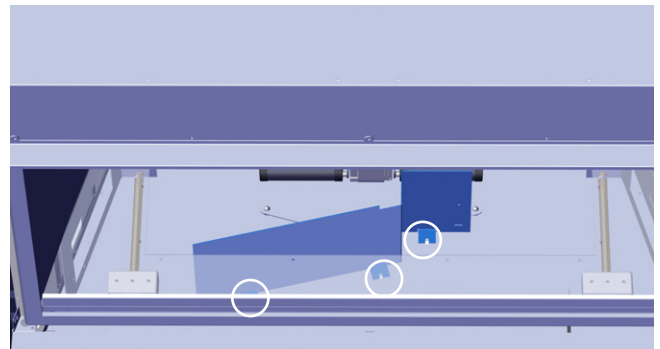


Diagram 5 - Heat Deflector Screws

8. Remove two (2) screws to remove fan shown in Diagram 6.

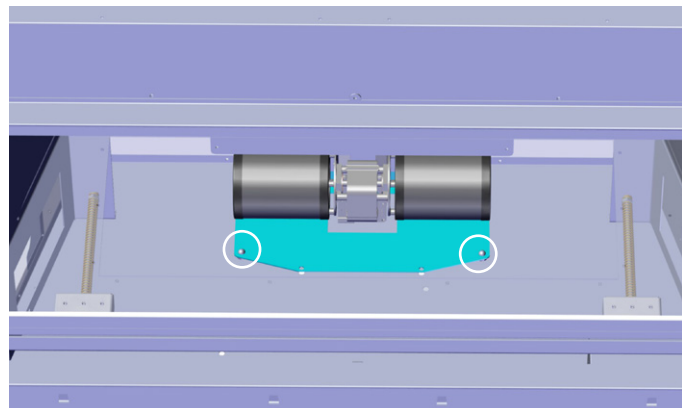


Diagram 6 - Fan Screws

9. Reverse steps to reinstall fan.

MAINTENANCE INSTRUCTIONS

- 1) Always turn off the gas valve before cleaning. For relighting, refer to lighting instructions. Keep the burner and control compartment clean by brushing and vacuuming at least once a year.
- 2) Clean appliance and door with a damp cloth (never when unit is hot). Never use an abrasive cleaner. The glass should be cleaned with a gas fireplace glass cleaner. The glass should be cleaned when it starts looking cloudy.
- 3) The faceplate is finished in a heat resistant paint and should only be refinished with heat resistant paint. Regency® uses StoveBright Paint - Metallic Black 938-110.

Note: Faceplates and inner panels made from stainless steel will naturally change color over time.

- 4) Make a periodic check of burner for proper position and condition. Visually check the flame of the burner periodically, making sure the flames are steady; not lifting or floating. If there is a problem, call a qualified service person.
- 5) The appliance and flueing system must be inspected before use, and at least annually, by a qualified field service person, to ensure that the flow of combustion and ventilation air is not obstructed.

Note: Never operate the appliance without the glass properly secured in place.

- 6) Do not use this appliance if any part has been under water. Immediately call a qualified service technician to inspect the appliance and to replace any part of the control system and any gas control which has been under water.
- 7) In the event this appliance has been serviced check that the vent-air system has been properly resealed & reinstalled in accordance with the manufacturer's instructions.
- 8) Verify operation after servicing.

GENERAL FLUE MAINTENANCE

Conduct an inspection of the flueing system semi-annually. Recommended areas to inspect as follows:

- 1) Check the Flueing System for corrosion in areas that are exposed to the elements. These will appear as rust spots or streaks, and in extreme cases, holes. These components should be replaced immediately.
- 2) Remove the termination cap, and shine a flashlight down the Flue. Remove any bird nests, or other foreign material. Reinstall the termination cap and seal with approved sealant.
- 3) Check for evidences of excessive condensation, such as water droplets forming in the inner liner, and subsequently dripping out the joints. Continuous condensation can cause corrosion of caps, pipe, and fittings. It may be caused by having excessive lateral runs, too many elbows, and exterior portions of the system being exposed to cold weather.
- 4) Inspect joints, to verify that no pipe sections or fittings have been disturbed, and consequently loosened. Also check mechanical supports such as Wall Straps, for rigidity.

GLASS GASKET

If the glass gasket requires replacement use a tadpole glass gasket (Part # 936-157).

GLASS DOOR

Your Regency® fireplace is supplied with high temperature 5mm-Ceramic glass. If your glass requires cleaning, we recommend using an approved glass cleaner available at all authorized dealers. Do not use abrasive materials.

CAUTION & WARNINGS:

- * Do not clean when the glass is hot.
- * The use of substitute glass will void all product warranties.
- * Care must be taken to avoid breakage of the glass.
- * Do not strike or abuse the glass.
- * Do not operate this fireplace without the glass front or with a cracked or broken glass front.
- * Wear gloves when removing damaged or broken glass.
- * Replacement of the glass panel(s) should be done by a licensed or qualified service person.

GLASS REPLACEMENT

In the event that you break your glass by impact, purchase your replacement from an authorized Regency® dealer only.

CAUTION: Wear gloves when removing damaged or broken glass.

WARNING: Do not operate the appliance with the glass panels removed, cracked or broken. Replacement of the glass panels should be done by a licensed or qualified service person.

TROUBLESHOOTING

All maintenance must be carried out by a licensed qualified service person

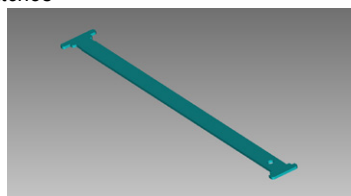
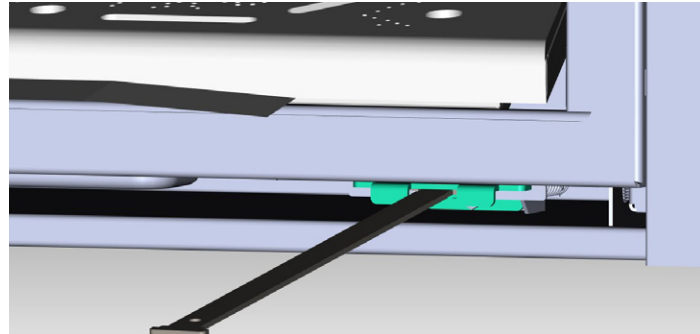
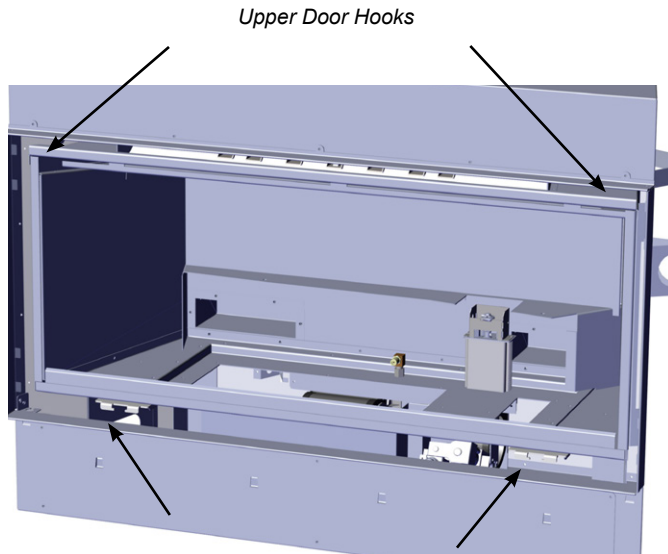
IT IS CRITICAL THAT THIS APPLIANCE IS EARTHED AND THAT THE ACTIVE AND NEUTRAL ARE NOT REVERSED

UNIT OPERATION	ACTION REQUIRED
No gas to the burner	The gas valve should open at the same time the ignition commences sparking. If there is no gas to the burner, turn unit off. Connect manometer to inlet test point on the gas valve and check static pressure. If O.K. turn unit on and check there is no significant drop in the pressure. If O.K. connect manometer to outlet test point of the gas valve, turn unit on and check outlet pressure is present whilst the spark is being generated.
Unit sparks, main burner ignites after 5 seconds spark continues even though main flame is present	This can be caused by incorrect polarity. Check that the wall socket to the appliance has correct polarity. If an extension lead is fitted check polarity of the lead. Check the polarity of the supply lead to the appliance. NOTE: The above checks must be carried out by a qualified person
Convection fan operates but no ignition after approx 1 minute	Ignition module is in lockout, reset module. Go to "Resetting The Unit" in the manual. Then turn on again. NOTE: On initial light up this may occur a number of times until any residual air is purged from the gas line through the burner system. It is essential the required waiting time as stated in the manual is observed prior to attempting re ignition
After resetting ignition module, unit still not operating after 1 minute	Turn burner switch to "ON", fans will operate within 5 secs, listen for audible "click" first from ignition module, then from pressure switch. If no "click" heard contact service agent
Confirm spark is produced when heater is turned on	The ignition electrode should spark at the same time the gas control solenoid valve opens(after approx 1minute purge time). At this point the spark electrode will activate for up to 5 seconds. A blue spark can be seen when the heater ignition process starts, Ensure the spark is present between the electrode and burner.
If no spark is produced	Check pressure switch is operating (there should be an audible click when the pressure switch makes contact). Providing the pressure switch has continuity and convection fan is creating pressure,the electrode should spark and the gas valve open within 5 seconds of the completion of the purge cycle.

GLASS DOOR INSTALLATION

WARNING: Do not operate the appliance with the glass panels removed, cracked or broken. Replacement of the glass panels should be done by a licensed or qualified service person. Glass should be cool, if cleaning is necessary.

1. Insert the door tool into the lower door latch.



Door Tool

2. Pull forward until the lower door latch is disengaged from the door frame.
3. Push downward until the Lower Door Latch is below the Door Frame.
4. Release the lower door latch until it reaches its resting point.
5. Remove the door tool and repeat steps 1-5 on the other lower door latch.
6. Pull the bottom of the door towards you until the door is angled away from the firebox by about 30°. Lift the door up and over the upper door hooks.
7. To install the glass door - reverse steps.

Handling of Ceramic fiber log sets and brick panels

When installing or removing ceramic fiber log sets or ceramic brick panels (if installed) from an appliance we recommend that you use latex gloves and a P1 respiratory filter be used.

We also recommend if when servicing the appliance that any items which may be replaced, not be broken up and are sealed within a heavy duty polythene bag and labeled as RCF waste.

A vacuum with a HEPA filter should be used when cleaning up remaining dust or broken bits.

Protective clothing is not required when handling these articles.

RCF waste is classed as stable, nonhazardous waste which may be disposed of at any licensed landfill site.

maintenance

VALVE TRAY REPLACEMENT

PRIOR TO VALVE TRAY REPLACEMENT, ENSURE UNIT HAS COOLED TO ROOM TEMPERATURE, ALL POWER IS DISCONNECTED AND GAS SUPPLY IT TURNED OFF.

1. Remove faceplate, inner frame, glass door, front trim piece and inner panels - see instructions in this manual.
2. Remove logs.
3. Remove burner side panels by lifting out as shown in Diagram 1.

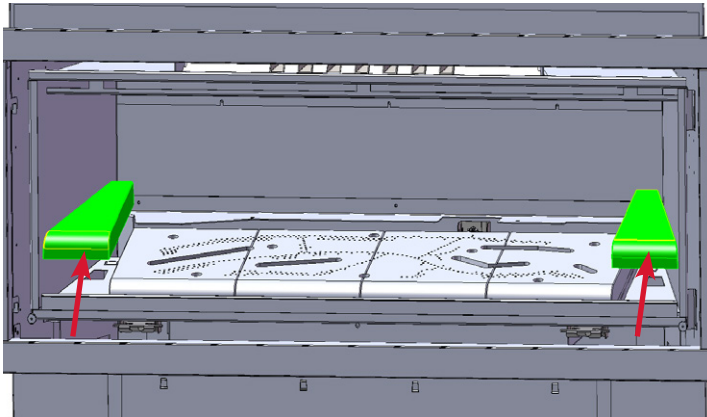


Diagram 1 - Burner Side Panels

4. Remove burner by removing 2 screws in locations shown below.

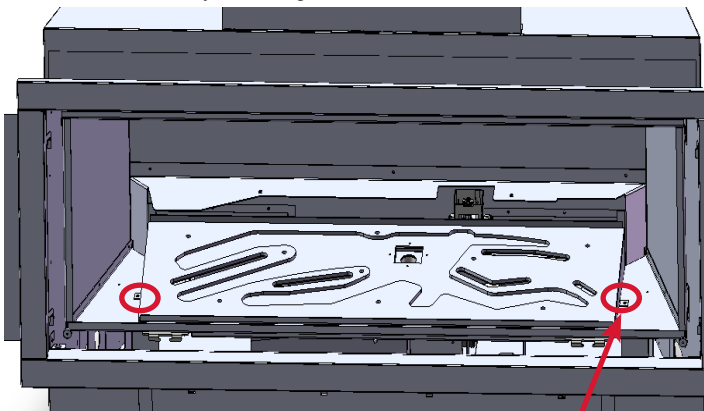
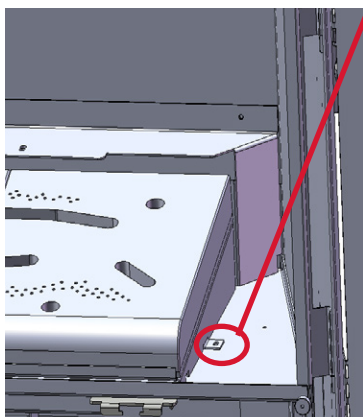


Diagram 2 - Burner Screw Locations



5. Remove rear log tray by removing 3 screws as shown in Diagram 3 below.

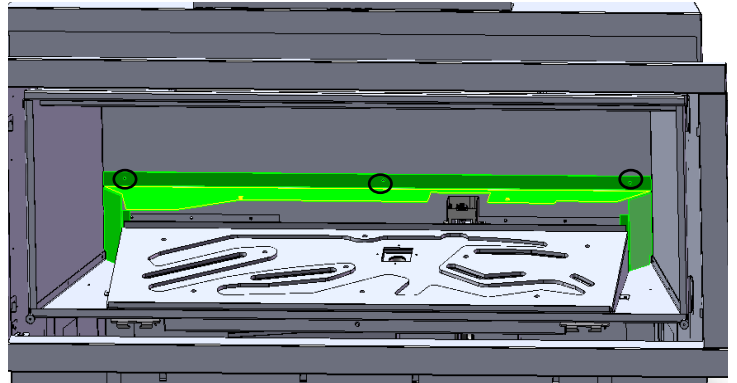


Diagram 3 - Log Tray screws

6. Remove burner by removing 16 screws in locations shown below.

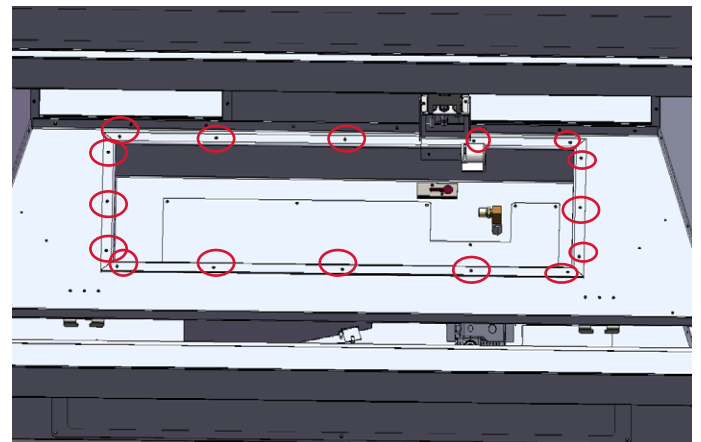


Diagram 4 - Valve Tray Screw Locations

7. Lift out valve tray.

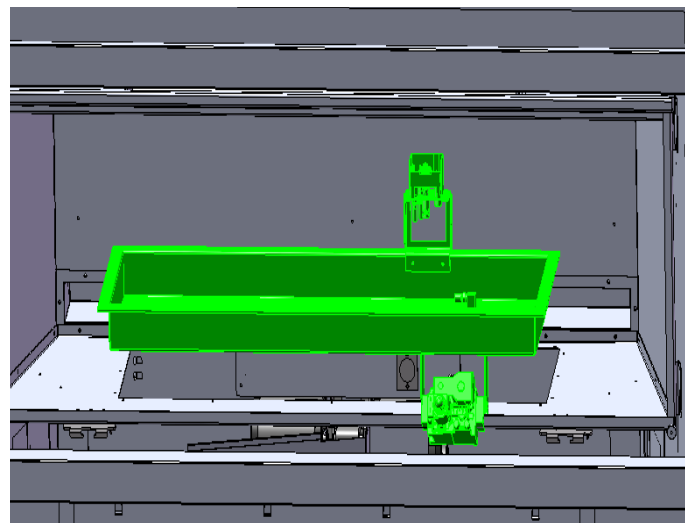
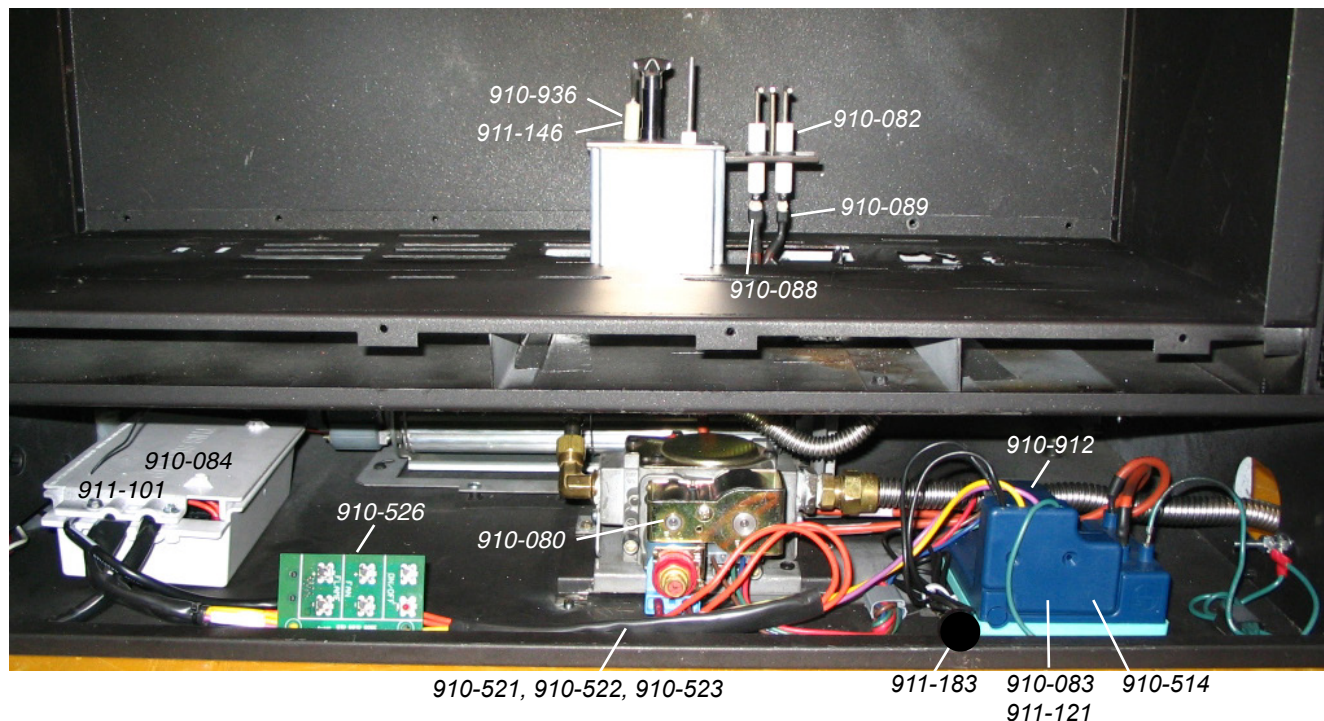


Diagram 5 - Valve Tray Removal

8. Replace valve tray and reverse steps.

ELECTRONIC COMPONENTS PARTS LIST

Note: Depending on the model, the diagram shown below may not depict the actual parts - for reference purposes only.



	FG38	FG39	PG33	PG36 / PG36D	PG121/ PG131	GFI300L	IG34	GF900L/C	GF1500L
910-909 Fan Resistor	✓	✓	✓	✓	✓	✓	✓	✓	✓
910-936 Intermittent Pilot	N/A	✓	✓	✓	✓	N/A	✓	✓	N/A
911-146 Intermittent Pilot	N/A	N/A	N/A	N/A	N/A	✓	N/A	N/A	✓
910-082 Direct Spark Ignitor	✓	N/A	N/A	N/A	N/A	N/A	N/A	N/A	N/A
910-089 Flame Cable	✓	N/A	N/A	N/A	N/A	N/A	N/A	N/A	N/A
910-088 Spark Cable	✓	N/A	N/A	N/A	N/A	N/A	N/A	N/A	N/A
910-084 Control Box	✓	✓	✓	✓	✓	N/A	✓	N/A	N/A
911-101 Control Box	N/A	N/A	N/A	N/A	N/A	✓	N/A	✓	✓
910-527 Manual Control Switch	✓	✓	N/A	N/A	N/A	N/A	✓	N/A	N/A
910-080 Valve	✓	✓	✓	✓	✓	✓	✓	✓	✓
910-521 Control Box Cable (1)	*N/A	(2)	(1)	(1)	(3)	N/A	(2)	N/A	N/A
910-522 Control Box Cable (2)									
910-523 Control Box Cable (3)									
910-525 Control Box Cable (4)									
910-912 Ignition Module to Valve Cable	N/A	N/A	✓	✓	✓	✓	✓	✓	✓
911-183 Reset Switch	N/A	✓	✓	✓	✓	✓	✓	✓	✓
910-083 Ignition Module (1)	(1)	(2)	(2)	(2)	(2)	(2)	(2)	(2)	(2)
911-121 Ignition Module (2)	(2)	(2)	(2)	(2)	(2)	(2)	(2)	(2)	(2)
910-514 Jumper Wire	N/A	✓	✓	✓	✓	✓	✓	✓	✓
910-935 Manual Control Switch	N/A	N/A	✓	✓	✓	N/A	✓	N/A	N/A

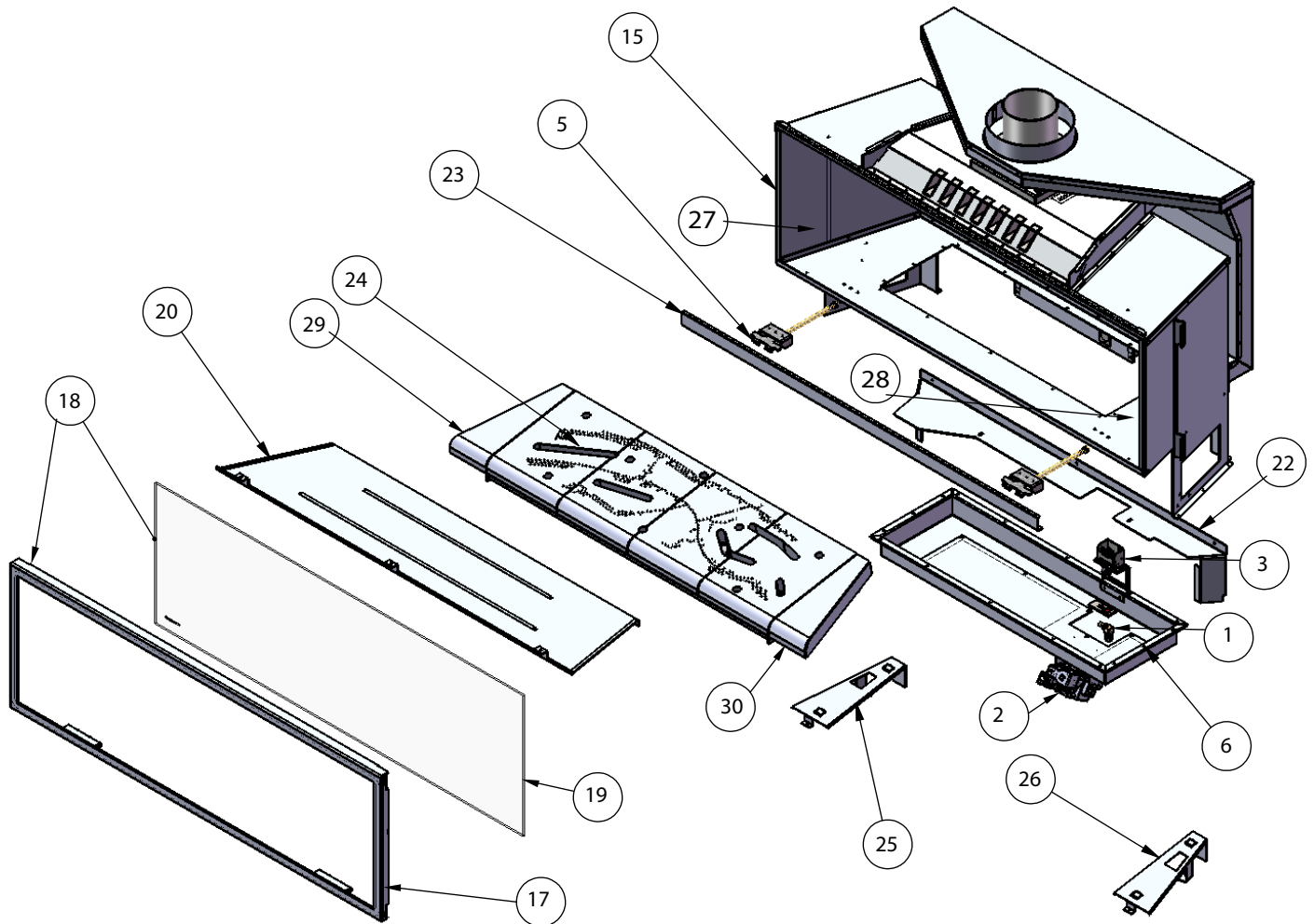
****Note:** The Control Box Cable wires for the FG38 come separately: 910-502, 910-505, 910-506, 910-507, 910-509

parts list

MAIN ASSEMBLY

Part #	Description	Parts not Shown	
Part #	Description	Part #	Description
1.	904-777 Orifice - NG #29		
.	904-434 Orifice - LP #47		
.	904-431 Orifice-ULPG #49	606-967	Conversion Kit LP/ULPG
2.	910-080 Sigma Valve NG	911-100	Remote Control
.	910-081 Sigma Valve LP/ULPG	911-112	Pressure Switch
3.	911-146 Pilot Assembly-NG	911-113	Switch On/Off w/Cat 5 cable
	911-157 Pilot Assembly - LP/ULPG	911-155/P	Blower Motor
	911-101 Control box ECS III	606-930	Log Set
	911-121 SIT Ignition Control Module	911-183	Black Reset Button
5	396-037 Bottom Door Latch (Each)	606-028	Valve mounting gasket
6	606-574/P Valve Assembly-NG	606-030	Access Plate Gasket
	606-576/P Valve Assembly-LP/ULPG	910-036	Pilot Orifice-NG
17	606-017 Door Frame Only	910-037	Pilot Orifice LP/ULPG
18	606-514 Glass Door Assembly (complete)	932-009	Gas Line-from Outlet valve to Burner Orifice
19	940-431/P Replacement Glass (includes Gasket)	904-658	Inlet Flex Line Glass SS Steel 24 inch
	606-004 Inner Top Baffle Plate	396-042F	Plate Slide & Door Frame Tool
22	606-006 Rear Log Tray	936-157	Glass Gasket Tadpole Tape Alum F.Core
23	606-005 Front Deflector		
24	606-530 Ceramic Burner NG/LP/ULPG	904-691	Glass U Clips (each)
25	606-008 Left Panel Bracket	606-018	Door Trim One Piece
26	606-009 Right Panel Bracket	466-041F	Nailing Strips-Sides
27	466-060 Left Panel	466-042	Nailing Strip- Top
28	466-061 Right Panel	316-089F	Nailing Strip- Bottom
29	606-063 Left Ceramic Filler	466-065	Tube Sensing
30	606-064 Right Ceramic Filler	606-054	Shield Pilot Hood
		910-054	Wire Ground ECS Module (Green)
		910-514	Wire Jumper SIT Ignition Module
		911-142	Wire Harness ECS IP
		911-141	Power Cord 240 Volts
		910-780	Wire SIT Valve Wire
		910-896	Wire High Temp to Power Cord
		910-904	Wire Harness-Fan End
		910-909	Resistor Fan ECS SQHG-20W
		910-912	Wire Harness Module to Valve
		911-047	Silicone Tubing 0.313 OD X 0.187 ID
		466-097	Panel Clip
		919-580	Manual

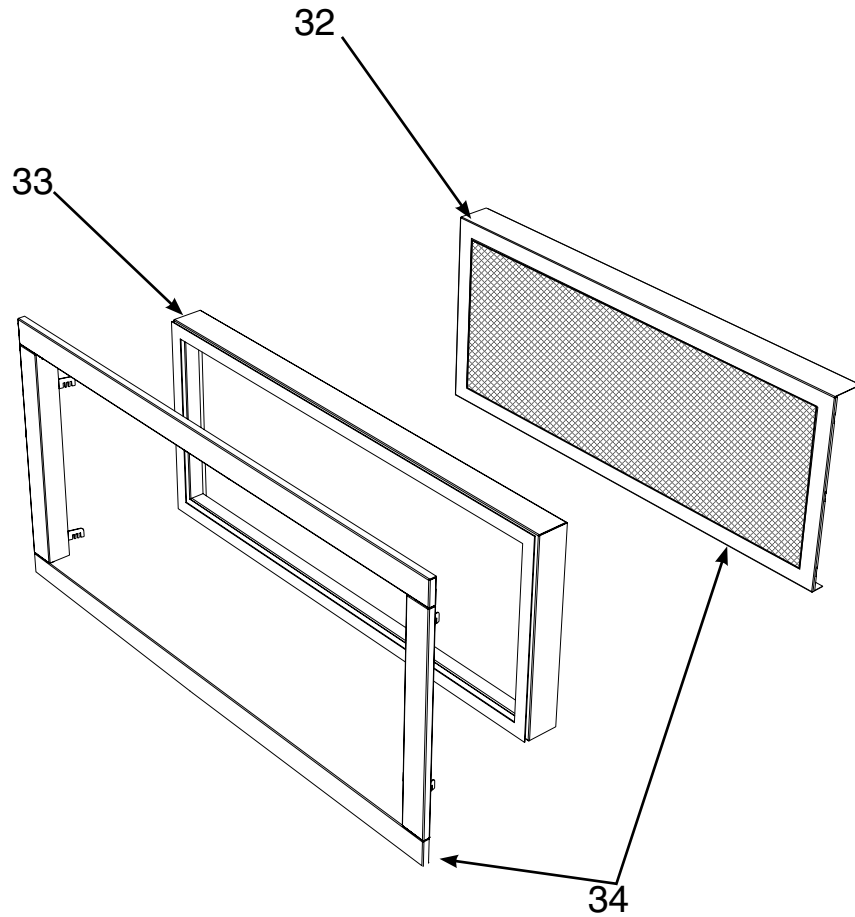
MAIN ASSEMBLY



parts list

ACCESSORIES

Part #	Description
32 606-922	Inner door frame - Black w/ Screen
606-932	Inner door frame - Stainless w/ Screen
33 606-543	Door Frame Overlay - Black
34 606-938	Fascia and Door Frame Black w/Screen
606-936	Fascia and Door Frame Stainless Steel w/Screen
* 606-951	Fascia Black Glass (not shown)



warranty

Limited Lifetime Warranty

FPI Fireplace Products International Ltd. (“the manufacturer”) through its wholly owned subsidiary, Fireplace Products Australia Pty Ltd (for Australia and New Zealand customers) and sold under the Regency® brand of fireplace products (collectively referred to herein as “FPI”), extends this Limited Lifetime Warranty to the original purchaser of this appliance provided the product remains in the original place of installation. The items covered by this limited warranty and the period of such coverage is set forth in the table below.

Some conditions apply (see below).

The policy is not transferable, amendable or negotiable under any circumstances.

Indoor Gas Products Warranty Coverage Parts and Labor	Part				Supplier Warranty	Labor Coverage (Years)
	Lifetime	5 years	2 years	1 year		
Firebox and Heat Exchanger	✓					3
Steel Burner Tube	✓					3
Glass Thermal breakage only	✓					3
All Surrounds/Inlays Finishes		✓				3
Brick Panels/Log sets/Ceramic Burners		✓				3
All Castings		✓				3
Valve assembly and all gas control components (Pilot assembly, flame sensors, Spark Electrode, Pilot Tubing, Orifices, Thermocouple, Thermopile)			✓			2
All Other Electrical components (Ignition Control Boards, Wiring, Switches, Fans, Fan Control Module, Battery Pack, Remote Control Systems)			✓			1
Enamel Panels			✓			1
Venting/Venting Components			✓			1
All Stainless steel surrounds				✓		1
All Firebox Media (Crystals, Fire beads, Volcanic, Ceramic & Spa Stones)				✓		1
All hardware				✓		1
Mesh/Glass Safety Barriers				✓		1
Accent Light Bulbs				✓		1
Glass (Crazing)				✓		1

After the original warranty coverage for any of the parts above have expired, any repair and/or replacement parts purchased by the consumer from FPI or through an accredited distributor or dealer will carry a ninety (90) day warranty (valid only with an original copy of the tax invoice). No labor coverage is included with any repair and/or replacement part.

Replacement parts are limited to one per warranty term.

Conditions:

Warranty protects against defect in manufacture or FPI factory assembled components only, unless herein specified otherwise. This warranty will only apply to those products which are acquired at the time of this warranty being effective. FPI will not be liable for any damage or loss that falls outside the scope of the warranty.

Any part(s) found to be defective during the warranty period as outlined above will be repaired or replaced at FPI’s option through an accredited distributor, dealer or pre-approved and assigned agent provided that the defective

part is returned to the distributor, dealer or agent for inspection if requested by FPI. Alternatively, FPI may at its own discretion fully discharge all of its obligations under the warranty by refunding the verified purchase price of the product to the original purchaser. The purchase price must be confirmed by an original copy of the tax invoice.

The authorised selling dealer, or an alternative authorised FPI dealer if pre-approved by FPI, is responsible for all in-field diagnosis and service work related to all warranty claims. This warranty does not cover dealer travel costs for diagnostic or service work. Dealers may charge homeowner for travel and additional time. Check with your selling dealer in advance for any costs to you when arranging a warranty call. FPI is not responsible for results or costs of workmanship of unauthorised FPI dealers or agents in the negligence of their service work. Additional service fees may apply if you are seeking warranty service from a dealer other than the dealer from whom you originally purchased the product.

At all times FPI reserves the right to inspect reported complaints on location in the field claimed to be defective and determine whether the warranty will apply prior to processing or authorising of any claim. Failure to allow this upon request will void the warranty.

All warranty claims must be submitted by the dealer servicing the claim, including an original copy of the tax invoice (proof of purchase by you). All claims must be complete and provide full details as requested by FPI to receive consideration for evaluation, including proof of maintenance records. Incomplete claims may be rejected. FPI has absolute discretion to assess and determine any warranty claim and may accept or reject a claim as it considers appropriate. Any part or parts of the unit found to be defective will be repaired or replaced at FPI's option, through an accredited distributor or service agent provided that the defective part be returned to the distributor or agent, **Transportation Prepaid**, if requested. **It is the general practice of FPI to charge for larger, higher priced replacement parts and issue credit once the replaced component has been returned to FPI and evaluated for manufacturer defect.**

If a consumer has a unit installed outside an accredited distributor, dealer or pre-approved service agent's service area, or the closest approved service agent is situated more than thirty (30) kilometres from the installation, FPI is not obliged to arrange warranty repairs or shipping/transportation costs. In these cases, the consumer must arrange warranty service with its selling dealer, and shipping, travel and/or additional labor charges will apply.

Unit must be installed according to all manufacturers' instructions as per the manual.

All Local and National required codes must be met.

The installer is responsible to ensure the unit is operating as designed at the time of installation.

The original purchaser is responsible for annual maintenance of the unit, as outlined in the owner's manual. As outlined below, the warranty may be voided due to problems caused by lack of maintenance. Annual maintenance records should be retained.

Repair/replacement parts purchased by the consumer from FPI after the original coverage has expired on the unit will carry a 90 day warranty, valid with a receipt only. Any item shown to be defective will be repaired or replaced at our discretion. No labor coverage is included with these parts.

Exclusions:

This Limited Lifetime Warranty does not extend to paint, rust or corrosion of any kind due to a lack of maintenance or improper venting, combustion air provision, corrosive chemicals (i.e. chlorine, salt, air, etc.), door or glass gasket.

Malfunction, damage or performance based issues as a result of environmental conditions, location, chemical damages, downdrafts, installation error, installation by an unqualified installer, incorrect chimney components (including but not limited to cap size or type), operator error, abuse, misuse, use of improper fuels, accidents, lack of regular maintenance and upkeep, acts of God, weather related problems from hurricanes, tornados, earthquakes, floods, lightning strikes/bolts or acts of terrorism or war, which result in malfunction of the appliance are not covered under the terms of this Limited Lifetime Warranty.

warranty

FPI has no obligation to enhance or modify any unit once manufactured (i.e. as products evolve, field modifications or upgrades will not be performed on existing appliances).

Any unit showing signs of neglect or misuse will not be covered under the terms of this warranty policy and may void this warranty. This includes units with rusted or corroded fireboxes which have not been reported as rusted or corroded within three (3) months of installation/purchase. Any alteration to the unit which causes sooting or carboning that results in damage to the exterior fascia or over firing that can cause component or firebox/heat exchanger failure will not be covered by this warranty.

Units which show evidence of being operated while damaged, or with problems known to the purchaser and causing further damages will void this warranty.

Units where the serial no. has been altered, deleted, removed or made illegible will void this warranty.

Minor movement, expansion and contraction of the steel is normal and is not covered under the terms of this warranty.

Freight damages for products or parts are not covered under the terms of the warranty.

Porcelain/Enamel: Absolute perfection is neither guaranteed nor commercially possible. Any chips must be reported and inspected by the authorised selling dealer within three (3) days of installation. Any damage of this type not reported after this time period will be subject to rejection and any related warranty will not apply.

Special Finishes: Expect some changes in color as the product "ages" with constant heating and cooling. The manufacturer warranty does not cover tarnishing, changing colors and/or marks (i.e. finger prints, etc.) after the purchase of the product. Damage from the use of abrasive cleaners is not covered by warranty.

Products made or provided by other manufacturers and used in conjunction with the FPI appliance without prior authorisation from FPI may void this warranty.

INCORRECT INSTALLATION OR GAS PRESSURE SETTINGS ARE NOT COVERED BY WARRANTY. A SERVICE OR CALLOUT FEE WILL BE CHARGED IN THESE CIRCUMSTANCES.

Limitations of Liability:

1. Exclusion of implied terms

The customer may have the benefit of consumer guarantees under the Australian Consumer Law. To the maximum extent permitted by law, all terms, conditions or warranties that would be implied into this Warranty or in connection with the supply of any goods or services by the supplier under law or statute or custom or international conventions are excluded.

2. Limitation of liability

(a) To the maximum extent permitted by law and subject to clauses 1 and 3, the supplier's total liability arising out of or in connection with its performance or its obligations pursuant to this Warranty, or arising out of or in connection with the supply of specific goods or services (including negligent acts or omissions) is limited as follows: (i) the supplier shall have no liability to the customer for any Consequential Loss; (ii) without limiting the effect of clause 2(a)(i), the supplier's total aggregate liability for Loss, however arising, shall not exceed the GST exclusive aggregate price paid by the customer to the supplier for the specific goods or services that gave rise to the Loss in question.

(b) The limitations and exclusions in this sub-clause do not apply to the extent that any Loss is directly attributable to: (i) the personal injury or death caused by the supplier's default, breach of this Warranty or negligence; or (ii) fraud by the supplier.

(c) Each party must take reasonable steps to mitigate any Loss it suffers or incurs.

3. Limitation of liability under Australian Consumer Law Guarantees

(a) To the extent that goods supplied by the supplier are not goods of a kind ordinarily acquired for personal, domestic or household use and the customer is deemed to be a consumer for the purposes of section 64A of the Australian Consumer Law, the customer agrees that the supplier's liability for a failure to comply with a consumer guarantee that the customer may have a benefit under the Australian Consumer Law (other than a guarantee under sections 51 (title), 52 (undisturbed possession) and 53 (undisclosed securities)), is limited to, at the option of the supplier, one or more of the following: (i) replacement of the goods or the supply of equivalent goods; (ii) the repair of the goods; (iii) the payment of the cost of replacing the goods or of acquiring equivalent goods; or (iv) equivalent goods; or (v) the payment of the cost of having the goods repaired.

(b) To the extent that services supplied by the supplier are services other than services of a kind ordinarily acquired for personal, domestic or household use or consumption, the supplier's liability for failure to comply with a consumer guarantee that the customer may have the benefit of is limited to, at the option of the supplier: (i) the supply of the services again; or (ii) the payment of the cost of having the services supplied again.

4. Subject to Change

This Limited Warranty is given at the time of sale and purchase of the relevant fireplace product. The terms of this Limited Warranty may be amended from time to time by FPI in accordance with changes to business practices, consumer laws or other legal requirements. The rights and protections granted under the Limited Warranty are those in force in relation to a fireplace product at the time and in the place of sale of that product, and only those terms will be applicable in respect of that product.

5. Severability

Any term of this Limited Warranty that is invalid or unenforceable in any jurisdiction is to be read down for the purposes of that jurisdiction, if possible, so as to be valid and enforceable, and is otherwise capable of being severed to the extent of the invalidity or unenforceability, without affecting the remaining provisions of this Limited Warranty or affecting the validity or enforceability of that provision in any other jurisdiction.

6. Definitions

For purposes of clauses 1, 2 and 3:

(a) Consequential Loss means loss of expected savings, loss of use, loss of opportunity, loss of profit, loss of revenue, increased financing costs, loss arising from delay, or any consequential, special or indirect loss or damage, whether or not the possibility or potential extent of the loss or damage was known or foreseeable, and whether arising from a claim under indemnity, contract, tort (including negligence), statute or otherwise.

(b) Loss means any expense, cost or damage of any kind and includes Consequential Loss and a fine or penalty imposed by a statutory or other authority.

warranty

How to Obtain Warranty Service:

Customers should contact the authorised selling dealer to obtain warranty service. In the event the authorised selling dealer is unable to provide warranty service, please contact FPI by mail at the address listed below. Please include your name, address, purchase date, selling dealer, serial #, type of unit, a brief description of the problem, email and telephone contact information, and a copy of your original tax invoice. A representative will contact you to make arrangements for an inspection and/or warranty service. (See below for Western Australia and/or New Zealand)

Please note Fireplace Products Australia Pty Ltd does not provide installation services.

Fireplace Products Australia Pty Ltd

1 – 3 Conquest Way
Hallam, VIC
Australia, 3803
Phone: +61 3 9799 7277
Fax: +61 3 9799 7822

To obtain warranty service in Western Australia and/or New Zealand, please contact one of our authorised distributors in those areas:

Western Australia:

Air Group Australia
28-30 Division St.
Welshpool, WA
Australia, 6106
Phone: (08) 9350 2200
Fax: (08) 9353 4225

New Zealand:

Aber Holdings Ltd
PO Box 10095
Te Rapa, Hamilton
New Zealand, 3241
Freephone: 0800 161 161

Product Registration and Customer Support:

Thank you for choosing a Regency Fireplace. Regency strives to be a world leader in the design, manufacture, and marketing of hearth products. To provide the best support for your product, we request that you complete a product registration form at <http://www.regency-fire.com.au/Customer-Care/Warranty-Registration.aspx> within ninety (90) days of purchase.



Product Registration and Customer Support:

Thank you for choosing a Regency Fireplace. Regency strives to be a world leader in the design, manufacture, and marketing of hearth products. To provide the best support for your product, we request that you complete a product registration form found on our Web Site under Customer Care within ninety (90) days of purchase.

For purchases made in **CANADA or the UNITED STATES:**

<http://www.regency-fire.com/Customer-Care/Warranty-Registration.aspx>

For purchases made in **AUSTRALIA:**

<http://www.regency-fire.com.au/Customer-Care/Warranty-Registration.aspx>

You may also complete the warranty registration form below to register your Regency Fireplace Product and mail and/or fax it back to us, and we will register the warranty for you. It is important you provide us with all the information below in order for us to serve you better.

Warranty Registration Form (or Register online immediately at the above Web Site):

Warranty Details	
Serial Number (required):	
Purchase Date (required) (mm/dd/yyyy):	
Product Details	
Product Model (required):	
Dealer Details	
Dealer Name (required):	
Dealer Address:	
Dealer Phone #:	
Installer:	
Date Installed (mm/dd/yyyy):	
Your Contact Details (required)	
Name:	
Address:	
Phone:	
Email:	

For purchases made in **CANADA:**

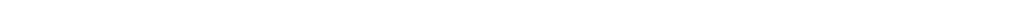
**FPI Fireplace Products
International Ltd.**
6988 Venture St.
Delta, British Columbia
Canada, V4G 1H4

For purchases made in the **UNITED STATES:**

Fireplace Products U.S., Inc.
PO Box 2189 PMB 125
Blaine, WA
United States, 98231

For purchases made in **AUSTRALIA:**

**Fireplace Products Australia Pty
Ltd**
1- 3 Conquest Way
Hallam, VIC
Australia, 3803



Installer: Please complete the following information

Dealer Name & Address: _____

Installer: _____

Phone #: _____

Date Installed: _____

Serial No.: _____

