

Villaboard can overlap clearance gap between ZCB and framing, and run the over front of ZCB. Do not silicon or adhere villaboard to ZCB as heat expansion of ZCB will cause cracking.

## Notes:

The Gason ZCB is an approved cabinet that allows for Eureka/Jindara Insert woodheaters to be installed within a non-masonry fireplace in accordance with AS/NZS:2918:2001.

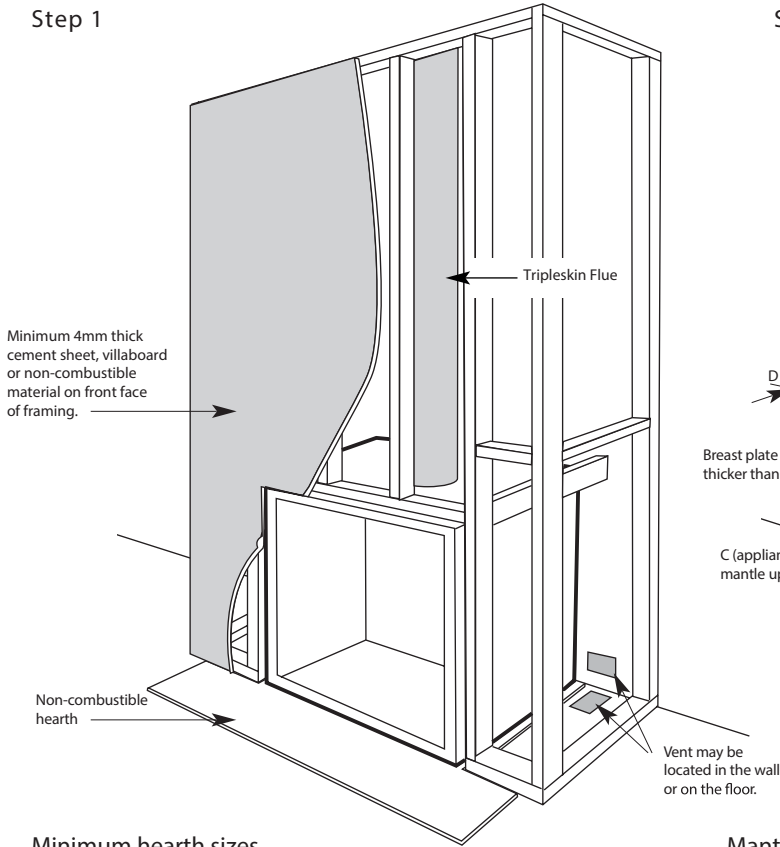
This can be achieved by the following installation guidelines listed below.

- With a 7 inch flue kit - Select the position where you wish to install your ZCB, carefully allowing for flue clearances of 330mm in the roof cavity (the outer flue being 280mm requires a 25mm clearance on either side to combustibles, where making overall clearance 330mm).
- Place hearth (cement fibre sheet) of 18mm under the position desired for the ZCB. Place the ZCB into place.
- Fit flue upstands to ZCB.
- Fit 300mm x 100mm vermin proof vent directly behind where the zero box will be located, as near as practicable to the floor. This vent will allow air access to the zero box either from another room or external air. Note, if installed on a timber floor, an additional two vents are required. i.e. Either through the floor, one each side of the zero box, or alternatively, through the side wall(s), if applicable.
- Fit the flue to the upstands and terminate at the required height above the roof line.
- Build your frame around the ZCB maintaining the clearances shown above.
- Cover the frame surrounding the ZCB, and entire front wall with a minimum 4mm cement sheet or villaboard as shown on sheet 2.
- Cover the rest of the frame (side walls etc.) to suit your requirements with plaster, timber, MDF, villaboard etc.
- Insert your chosen appliance into the zero box and fit the active flue and cowl.
- Install a mantel if required. Note: if mantle is made out of a combustible material, the following dimensions on sheet 2 must be adhered to.

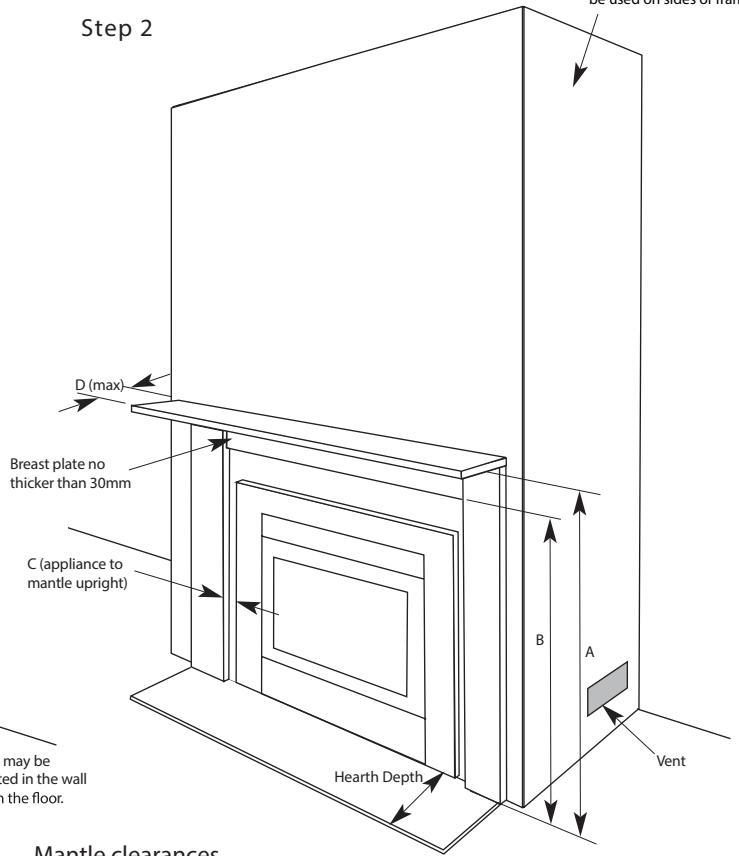
All dimensions are minimum and must under no circumstances be reduced where surroundings are made from combustible material. AF Gason Pty Ltd accepts no liability whatsoever for their interpretation of AS/NZS2918:2001.

Plaster, timber, MDF etc. combustible material can be used on sides of framing.

### Step 1



### Step 2



#### Minimum hearth sizes

MODEL	WIDTH	DEPTH	THICKNESS
Garnet	1200	650	18
Barwon	1200	650	18

\*Refer Heater Operational & Installation Instructions for elevated installation & reduced hearth depth.

#### Mantle clearances

MODEL	A	B	C	D
Garnet	1545	1545	50	250
Barwon	1545	1545	50	250

All dimensions in millimetres

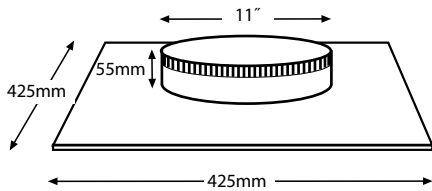
## To suit Eureka & Jindara 7" flue models.

#### Minimum Requirements:

- 4 x 9" Gal Flue
- 4 x 11" Gal Flue
- 5 x 7" S/S Flue

NB: Some states will use different size flue kits which will require the appropriate upstand.

- 11" Upstand



- 9" Upstand

