



TAURUS-AU

Installation and Owners Manual



This appliance has been TESTED TO AS/NZS4013 for Hardwood by ASFT Report. 20009 Date tested: FEBRUARY 2020

VisionLINE Taurus		Freestanding and Inbuilt	
OVERALL AVERAGE EFFICIENCY			
WHEN TESTED IN ACCORDANCE WITH AS/NZS 4012:.....61%			
AVERAGE PARTICULATE EMISSION FACTOR			
WHEN TESTED IN ACCORDANCE WITH AS/NZS 4013:.....1,3 G/KG			
MAXIMUM AVERAGE HEAT OUTPUT15,4 kW			
CATALYTIC COMBUSTORNO			
APPROVED FUEL:		BURN ONLY HARDWOOD WITH A MOISTURE CONTENT LESS THEN 25% (dry basis).	
Wetback - All Models:		Wetbacks are NOT an approved option and must not be fitted.	
Manufactured By:		Burning Technology - Stupkova - 952/18, Nová Ulice, 77900, Olomouc - Czech Republic EU	
Detal No/ N° de série	BT 005B 001 5 1051 B	BARCODE LABEL	Date of Manufacture / Date de fabrication: 7036-200 P4
2020 2021 2022 JAN FEB MAR APR MAY JUN JUL AUG SEP OCT NOV DEC			

Made in The EU

INSTALLATION DATE: / /

INSTALLATIONS TO COMPLY WITH AS/NZS 2918:2018
AND WILL REQUIRE A BUILDING CONSENT

IMPORTANT: Read all instructions carefully before starting installation. Failure to follow these instructions may result in a fire hazard and will void the warranty.

- Fig. 3,4 and Table 1 & 2 relate to installations with tested flue systems; as per AS/NZS 2918:2018 **Appendix F**, with a ceiling angle between 0° - 30° inclusive.
- For installations with a ceiling angle greater than 30°, refer to Fig. 6 & 7 and AS/NZS 2918:2018 4.6.3(b)
- Ceiling Plate may vary in size depending on ceiling angle. Please specify ceiling pitch prior to ordering the ceiling plate.

WARNING

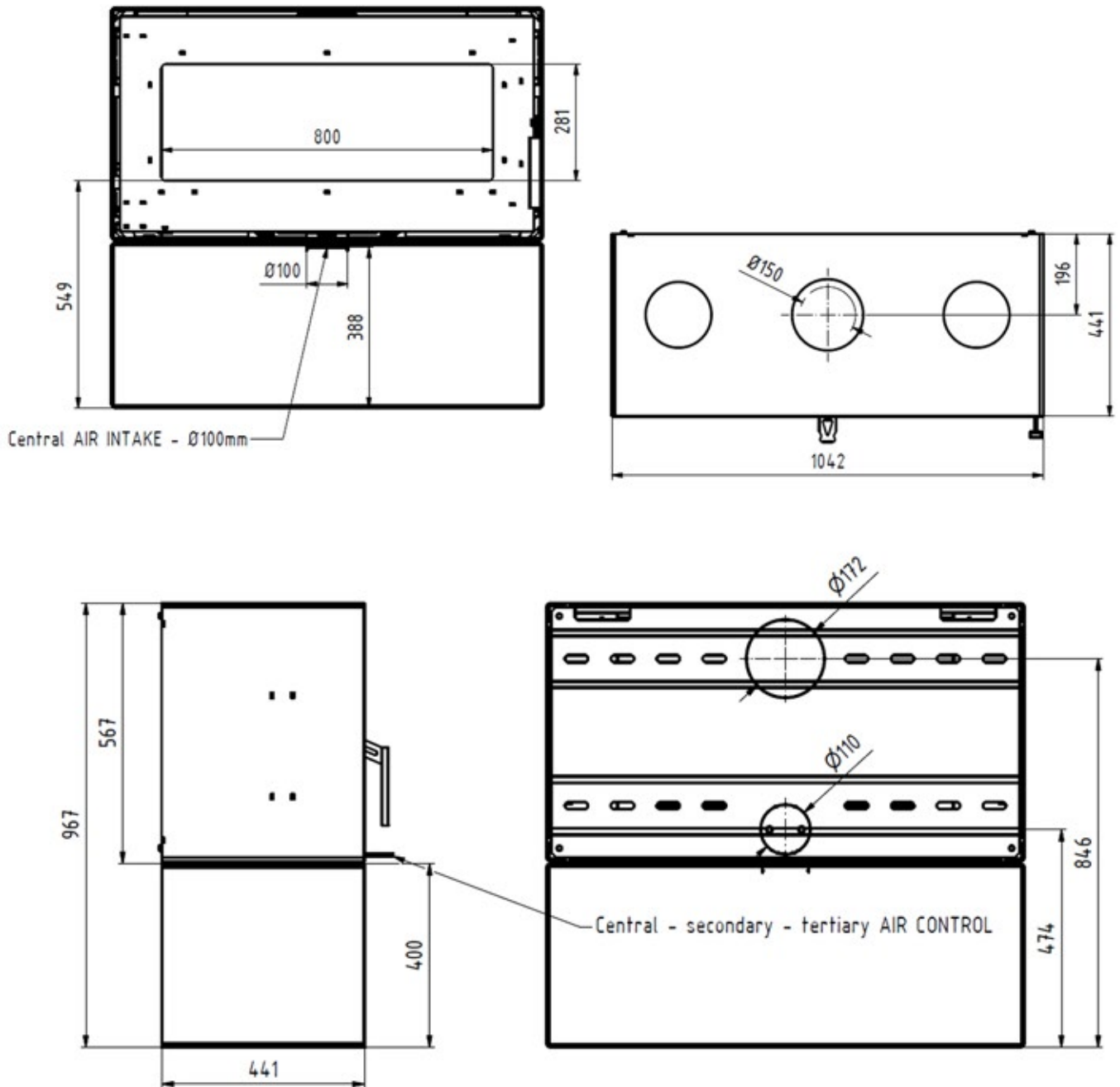
Fire Risk.
For use with solid wood fuel only.
Other fuels may over fire and generate poisonous gases (i.e. carbon monoxide).

WARNING

If the information in these instructions is not followed exactly, a fire could result causing property damage, personal injury, or death.

- Do not store or use gasoline or other flammable vapors and liquids in the vicinity of this or any other appliance.
- Do not over fire - If appliance or chimney connector glows, you are over firing. Over firing will void your warranty.
- Comply with all minimum clearances to combustibles as specified. Failure to comply may cause house fire.

TAURUS-AU



FLOOR PROTECTOR

The VisionLINE Taurus does not require an insulating Floor Protector, as they are tested and comply with the minimum Floor Protector requirements of AS/NZ 2918:2018.

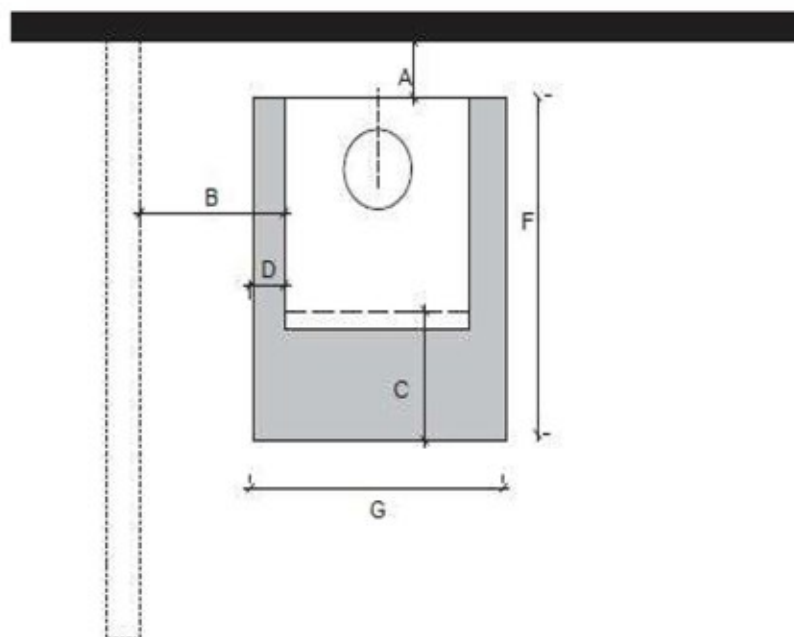
Note:

The minimum Floor Protector sizes are specified in the clearance chart, see Table 1 & 2.

- A Floor Protector can include ceramic tiles with grouted joints fixed directly onto a wooden floor or a steel panel or any other non combustible material laid directly onto a wooden floor.
- if installed directly onto a concrete slab, the concrete slab can be considered as the floor protector, but must maintain the minimum measurement listed.

PARALLEL POSITIONING

Fig 1.



	Using AU Default Flue kit (Solid 8" or Mesh)	TAURUS-AU
A	Min. Clearance from firebox to rear wall	450MM*
B	Min. Clearance from firebox to side wall	475MM
C	Min distance from firebox opening to floor protector front	600MM**
D	Min distance from firebox to floor protector side	95MM
F	Depth of floor protector	1040MM
G	Width of floor protector	1230MM

Hearth Thickness - 6mm thick hearth when unit is installed on raised optional base
 - 42mm thick hearth when the unit is installed at the minimum
 100mm from floor level (100mm Hebel or similar below appliance)

* When installed with optional rear heat shield behind the appliance, the rear wall clearance is 200mm from a combustible wall to the rear heat shield

** See Fig 3 on page 5

CORNER POSITIONING (45°)

Fig 2.

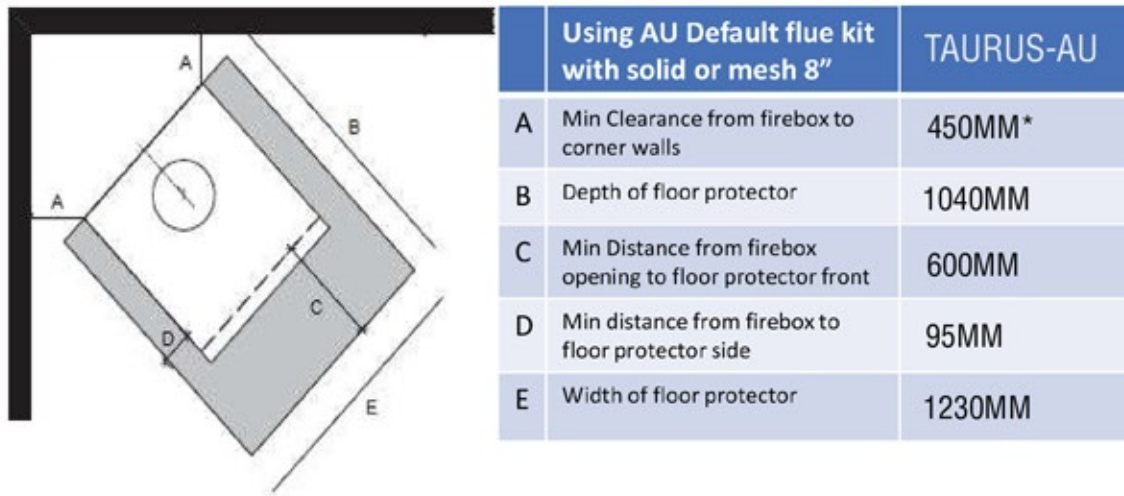
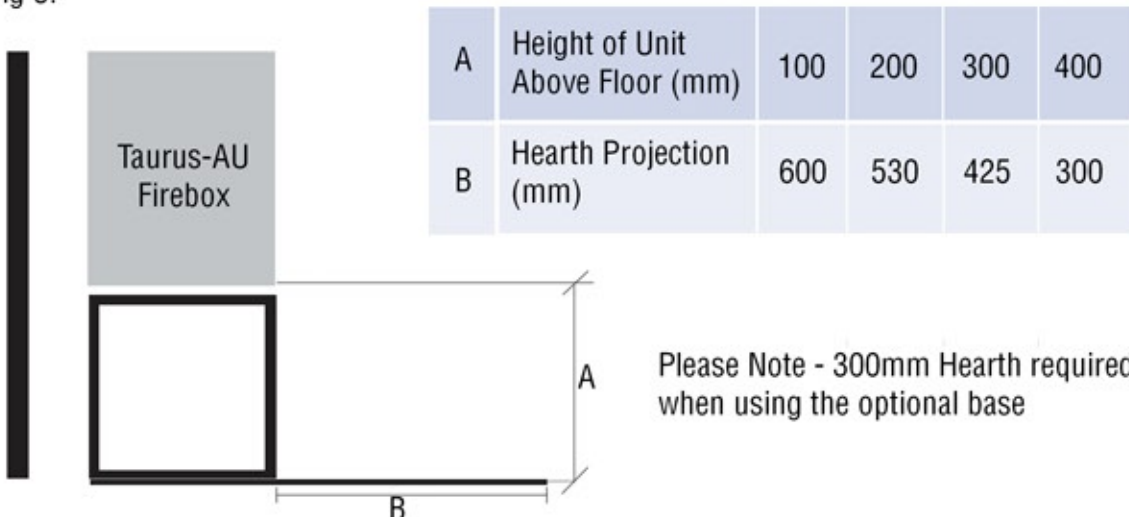


Fig 3.



FIREBOX INSTALLATION

1. If a separate floor protector is being used position now. Place the firebox on a floor protector that is at least 6mm thick to suit the minimum installation clearances. (See Fig 3 or 4).
2. Seismically restrain the firebox and the floor protector to the floor.

⚠ WARNING

Fire Risk.

VisionLINE Fireplaces disclaims any responsibility for, and the warranty will be voided by, the following actions:

- Installation and use of any damaged appliance.
- Modification of the appliance.
- Installation other than as instructed
- Installation and/or use of any component part not approved
- Operating appliance without fully assembling all components.
- Operating appliance without legs attached (if supplied with appliance).
- Do NOT Over fire - If appliance or chimney connector glows, you are over firing.

Any such action that may cause a fire hazard.

Getting Started

A. Design and Installation Considerations

Consideration must be given to:

- Safety
- Convenience
- Traffic flow
- Chimney and chimney connector required

It is a good idea to plan your installation on paper, using exact measurements for clearances and floor protection, before actually beginning the installation. If you are not using an existing chimney, place the appliance where there will be a clear passage for a factory-built listed chimney through the ceiling and roof.

We recommend that a qualified building inspector and your insurance company representative review your plans before and after installation.

If this appliance is in an area where children may be near it is recommended that you purchase a decorative barrier to go in front of the appliance. Remember to always keep children away while it is operating and do not let anyone operate this appliance unless they are familiar with these operating instructions.

CAUTION
<p>Check building codes prior to installation.</p> <ul style="list-style-type: none"> • Installation MUST comply with local, regional, state and national codes and regulations. • Consult insurance carrier, local building, fire officials or authorities having jurisdiction about restrictions, installation inspection, and permits.

 WARNING
<p>Asphyxiation Risk.</p> <ul style="list-style-type: none"> • Do NOT connect this appliance to a chimney flue servicing another appliance. • Do NOT connect to any air distribution duct or system. <p>May allow flue gases to enter the house.</p>


<p>NOTICE: VISIONLINE FIREPLACES ASSUMES NO RESPONSIBILITY FOR THE IMPROPER PERFORMANCE OF THE APPLIANCE SYSTEM CAUSED BY:</p> <ul style="list-style-type: none"> • Inadequate draft due to environmental conditions • Down drafts • Tight sealing construction of the structure • Mechanical exhausting devices • Over drafting caused by excessive chimney heights • Ideal performance is with height of chimney between 14-16 feet (4.26-4.88m) measured from the base of the appliance.
--

B. Fire Safety

To provide reasonable fire safety, the following should be given serious consideration:

1. Install at least one smoke detector on each floor of your home to ensure your safety. They should be located away from the heating appliance and close to the sleeping areas. Follow the smoke detector manufacturer's placement and installation instructions, and be sure to maintain regularly.
2. A conveniently located Class A fire extinguisher to contend with small fires resulting from burning embers.
3. A CO detector should be installed in the room with the appliance.
4. A practiced evacuation plan, consisting of at least two escape routes.
5. A plan to deal with a chimney fire as follows:
In the event of a chimney fire:
 - a. Evacuate the house immediately
 - b. Notify fire department.

C. Negative Pressure

 WARNING
<p>Asphyxiation Risk.</p> <ul style="list-style-type: none"> • Negative pressure can cause spillage of combustion fumes, soot and carbon monoxide. • Appliance needs to draft properly for safety.

Negative pressure results from the imbalance of air available for the appliance to operate properly. It can be strongest in lower levels of the house.

Causes include:

- Exhaust fans (kitchen, bath, etc.)
- Range hoods
- Combustion air requirements for furnaces, water appliances and other combustion appliances
- Clothes dryers
- Location of return-air vents to furnace or air conditioning
- Imbalances of the HVAC air handling system
- Upper level air leaks such as:
 - Recessed lighting
 - Attic hatch
 - Duct leaks

To minimize the effects of negative air pressure:

- Install optional outside air kit with the intake facing prevailing winds during the heating season
- Ensure adequate outdoor air for all combustion appliances and exhaust equipment
- Ensure furnace and air conditioning return vents are not located in the immediate vicinity of the appliance
- Avoid installing the appliance near doors, walkways or small isolated spaces
- Recessed lighting should be a "sealed can" design
- Attic hatches weather stripped or sealed
- Attic mounted duct work and air handler joints and seams taped or sealed
- Basement installations should be avoided



WARNING



Fire Risk.

VISIONLINE FIREPLACES disclaims any responsibility for, and the warranty will be voided by, the following actions:

- Installation and use of any damaged appliance.
- Modification of the appliance.
- Installation other than as instructed
- Installation and/or use of any component part not approved
- Operating appliance without fully assembling all components.
- Operating appliance without legs attached (if supplied with appliance).
- Do NOT Over fire - If appliance or chimney connector glows, you are over firing.

Any such action that may cause a fire hazard.

D. Tools And Supplies Needed

Before beginning the installation be sure the following tools and building supplies are available:

Reciprocating saw	Flat blade screwdriver
Framing material	Electric drill and bits
Pliers	Plumb line
High temp caulking material	Safety glasses
Hammer	Level
Gloves	Tape measure
Phillips screwdriver	Misc. screws and nails
Framing square	7/16 socket or wrench

1/2-3/4 in. length, #6 or #8 self-drilling screws

E. Inspection of Appliance and Components

- Remove appliance and components from packaging and inspect for damage.
- Report to your dealer any parts damaged in shipment.
- Read all the instructions before starting the installation. Follow these instructions carefully during the installation to ensure maximum safety and benefit.



WARNING



Fire Risk.

Inspect appliance and components for damage. Damaged parts may impair safe operation.

- Do NOT install damaged components.
- Do NOT install incomplete components.
- Do NOT install substitute components.

Report damaged parts to dealer.

G. Install Checklist

ATTENTION INSTALLER Follow this Standard Work Checklist

This standard work checklist is to be used by the installer in conjunction with, not instead of, the instructions contained in this installation manual.

Customer: _____
 Date Installed: _____
 Lot / Address: _____
 Location of Appliance: _____
 Installer: _____
 Dealer / Distributor Phone #: _____
 Serial #: _____
 Model: _____

WARNING! Risk of Fire or Explosion! Failure to install appliance according to these instructions can lead to a fire or explosion.

Appliance Install

Verified clearances to combustibles.
 Appliance is leveled and connector is secured to appliance.
 Hearth extension size/height decided.
 Outside air kit installed.
 Floor protection requirements have been met.
 If appliance is connected to a masonry chimney, it should be cleaned and inspected by a professional. If installed to a factory built metal chimney, the chimney must be installed according to the manufacturer's instructions and clearances.

YES

IF NO, WHY?

Chimney

Chimney configuration complies with diagrams.
 Chimney installed, locked and secured in place with proper clearance.
 Chimney meets recommended height requirements (14-16 feet).
 Roof flashing installed and sealed.
 Terminations installed and sealed.

Clearances

Combustible materials not installed in non-combustible areas.
 Verified all clearances meet installation manual requirements.
 Mantels and wall projections comply with installation manual requirements.
 Protective hearth strips and hearth extension installed per manual requirements.

Appliance Setup

All packaging and protective materials removed.
 Firebrick, baffle and ceramic blanket installed correctly.
 All labels have been removed from the door.
 All packaging materials are removed from inside/under the appliance.
 Manual bag and all of its contents are removed from inside/under the appliance and given to the party responsible for use and operation.

Comments: Further description of the issues, who is responsible (Installer/Builder/Other Trades, etc.) and corrective action needed:
 Comments communicated to party responsible _____ by _____ on _____

(Builder / Gen. Contractor)

(Installer)

(Date)

GENERAL INSTRUCTIONS FOR FLUE SYSTEM

- Flue pipe installed crimp/narrow end down
- Outer casings installed crimped/narrow end up. (Critical when exposed above the roof)
- Inner casings - direction not critical
- Flue pipes - seal all joints including firebox spigot.
 - fix with a minimum of 3 stainless steel rivets
- Flue pipe spacers - affix to flue pipe
- Flue system termination point - Refer to **AS/NZS 2918:2018 4.9.1.**
- Flue pipe shall extend not less than 4.6m above top of the floor protector as per **AS/NZS 2918:2018 4.9.1(a)**
- Façade or chase systems - same rule applies as above.

UNIT IS APPROVED WITH MESH OR SOLID 8" OUTER SKIN

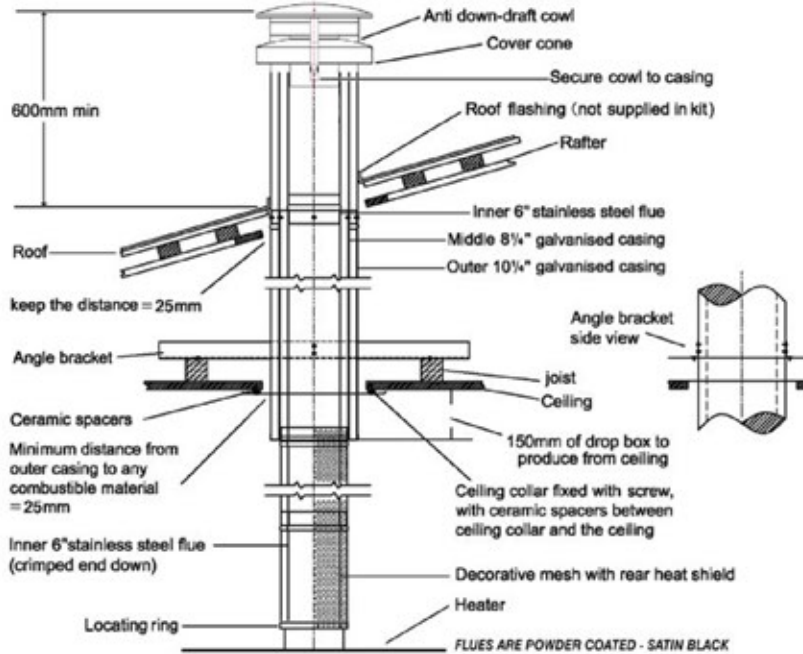
Note: These instructions apply to 150mm diameter flue pipe systems as tested to **AS/NZS 2918:2018**

1. Either locate the appliance in position or by measuring at the ceiling mark the flue pipe centre position. Check that the outer casing is unobstructed through the attic space or roof area.
2. Spike the centre with a nail. Transfer this position to the next surface above. Plumb bob/laser.
3. Cut out the ceiling penetration hole – square or rectangle – short axis equals outer casing diameter plus 50mm, long axis as required. See Table 5 . Perform the same at the roof penetration.
4. Frame out the hole with minimum 75 x 50 timber or as required for roofing material.
5. Install the outer casing so that :-
 - (i) lower end is flush with the underside of the ceiling material and
 - (ii) with the addition of metal "L" brackets, affix to the outer casing at 90 degrees secure the outer casing centrally to the ceiling and roof nogs. Alternatively substitute the "L" brackets for 25mm thick non heat sensitive packers. Secure the outer casing through the packers with horizontal fixings to the nogs. Refer to the General Instruction for termination height. The option of outer casing slips to be taken into account.
6. Flash the outer casing to the roof material with the appropriate approved flashing.
7. If using an outer/inner casing combination, now install the inner casing ensuring it extends a minimum 200mm above the high side of the roof penetration. If not using a combination see '11' below.
8. Refer to Firebox Installation, points 1 & 2.
9. Prepare the ceiling plate and place upside down over the flue spigot.
10. Install the flue pipes by preferred method – either up or down the outer casing. Affix each length per the notes in General Instructions (above). Extend the flue pipe above the outer casing to suit the casing cover/cowl assembly.
11. If the inner casing has not been installed, install now. Refer to 7 above for minimum height.
12. Install the cowl assembly, i.e. Top spacer, casing cover and cowl.
13. Position and secure the ceiling plate with the screws and spacers.
14. Wipe the flue pipe to remove finger marks.
15. Refer to Firebox Installation, point 3.
16. If flue offset is required, refer to **AS/NZS 2918:2018 4.1**

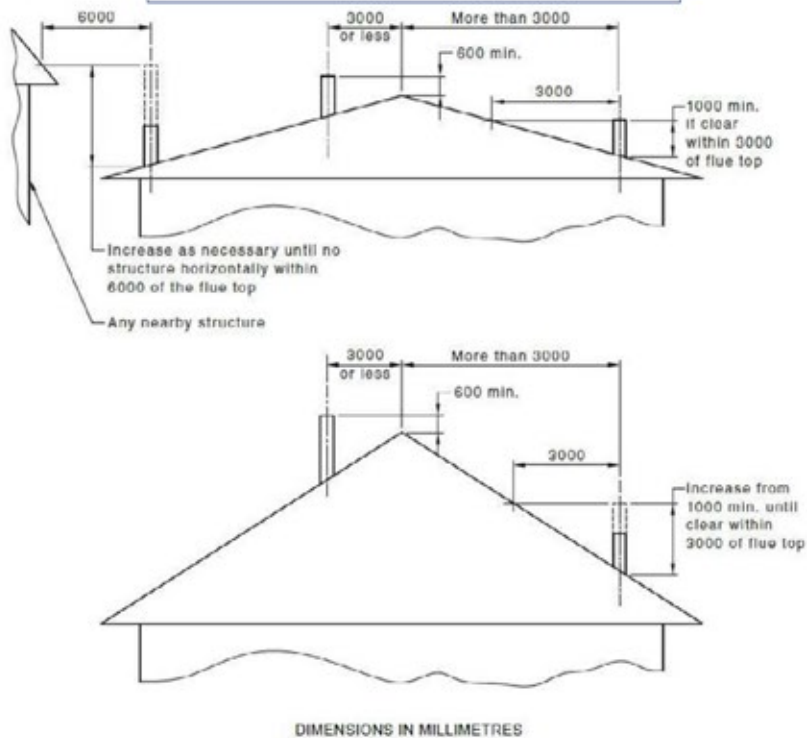
DEFAULT 6" FLUE KIT with mesh and solid decorative flue INSTALLATION INSTRUCTIONS

For connecting into a standard installation:

The following drawing is meant as a guide only. Your wood heater **must** be installed by a qualified person whose work conforms with local council regulations, Australian/New Zealand standards (AS/NZS 2918:2018) & manufacturer's recommendations.



Minimum Height Requirements



VisionLINE recommends using either VisionLINE Australian default flue kits or VisionLINE AIR insulated flue kits.

AS/NZS 2918:2018 General Notes

WARNING: THE APPLIANCE AND FLUE SYSTEM SHALL BE INSTALLED IN ACCORDANCE WITH AS/NZS 2918 AND THE APPROPRIATE REQUIREMENTS OF THE RELEVANT BUILDING CODE OR CODES.

WARNING: APPLIANCES INSTALLED IN ACCORDANCE WITH THIS STANDARD SHALL COMPLY WITH THE REQUIREMENTS OF AS/NZS 4013 WHERE REQUIRED BY THE REGULATORY AUTHORITY, I.E. THE APPLIANCE SHALL BE IDENTIFIABLE BY A COMPLIANCE PLATE WITH THE MARKING 'TESTED TO AS/NZS 4013'.

ANY MODIFICATION OF THE APPLIANCE THAT HAS NOT BEEN APPROVED IN WRITING BY THE TESTING AUTHORITY IS CONSIDERED TO BE IN BREACH OF THE APPROVAL GRANTED FOR COMPLIANCE WITH AS/NZS 4013.

CAUTION: MIXING OF APPLIANCE OR FLUE SYSTEM COMPONENTS FROM DIFFERENT SOURCES OR MODIFYING THE DIMENSIONAL SPECIFICATION OF COMPONENTS MAY RESULT IN HAZARDOUS CONDITIONS. WHERE SUCH ACTION IS CONSIDERED, THE MANUFACTURER SHOULD BE CONSULTED IN THE FIRST INSTANCE.

CAUTION: THIS APPLIANCE SHOULD NOT BE OPERATED WITH CRACKED AND BROKEN COMPONENTS, e.g. GLASS PANELS OR CERAMIC TILES, MAY RENDER THE INSTALLATION UNSAFE.

WARNING: ANY MODIFICATION OF THE APPLIANCE THAT HAS NOT BEEN APPROVED IN WRITING BY THE TESTING AUTHORITY IS CONSIDERED AS BREACHING AS/NZS 4013.

WARNING: DO NOT USE FLAMMABLE LIQUIDS OR AEROSOLS TO START OR REKINDLE THE FIRE.

WARNING: DO NOT USE FLAMMABLE LIQUIDS OR AEROSOLS IN THE VICINITY OF THIS APPLIANCE WHEN IT'S OPERATING.

WARNING: DO NOT STORE FUEL WITHIN HEATER INSTALLATION CLEARANCES.

WARNING: OPEN AIR CONTROLS AND DAMPER IF FITTED BEFORE OPENING FIREPLACE DOOR.

WARNING: FOR OPTIMUM PERFORMANCE FUEL MUST BE LOADED SO THE LOGS LAY "FRONT TO REAR" IN PREFERENCE TO LAYING ACROSS THE WIDTH OF THE FIREBOX. SPACES SHOULD BE LEFT BETWEEN THE LOGS TO ENABLE OXYGEN TO GET TO AS MUCH OF THE SURFACE OF THE FUEL AS POSSIBLE.

CAUTION: THIS APPLIANCE SHOULD BE MAINTAINED AND OPERATED AT ALL TIMES IN ACCORDANCE WITH THESE INSTRUCTIONS.

CAUTION: THE USE OF SOME TYPES OF PRESERVATIVE-TREATED WOOD AS A FUEL CAN BE HAZARDOUS.

Unit Operation

Lighting Up and Stoking

- If the stove was stored in a cold environment (car, store, etc.) before the first lighting, keep it at room temperature for about 3 hours due to moisture condensation and surface temperature equalization of the parts before making the first lighting, otherwise there is a risk of damage to the glass or lining of the stove.
- During the first lighting, it is not possible to prevent the odour produced by the drying of the protective coating. The stove paint will burn for at least 4 hours. Therefore, it is necessary to constantly ventilate and let fresh air into the room.
- The rapid course of lighting is important as there is an increase in emissions in the event of a poor technique.
 - a. Open the air supply control completely.
 - b. Place a scrunched up newspaper or a firelighter in the centre of the fireplace and put about 2–2.5 kg of finely chopped wood crosswise over it. You may have rough on the bottom part and mild in upper part (you may use solid fire starter instead of paper)
 - c. Ignite the fire and let it flame up.
 - d. Then put 2 logs on the fire (approx. 2–2.5 kg). After they start burning well, reduce the combustion air supply to 75%.
 - e. After all fuel is burned out (no visible flame - only burning ash stays) rake out burning ash equally (rather to back part of combustion chamber) and open air regulation completely
 - f. Then put 1 log on the fire (approx. 2.5 kg). After they start burning well, reduce the combustion air supply to 25%.
 - g. Once the fuel has burned out (the flame goes out – only embers remain), spread the embers evenly and open the air supply completely.
 - h. Repeat point d. and point e.
- If too little wood is used during lighting or if the pieces of wood are too large, the optimal operating temperature will not be reached. This can lead to poor combustion, high soot formation and the extinguishing of the fire after closing the door.
- Do not leave the stove unattended at the time of lighting.
- If your house has a mechanical ventilation system or if an extractor hood is switched on and there is low pressure inside, open the window near the stove for a few minutes until the fire flames up.

Combustion Air

- The wood burning stove is dependent on ambient air and a combustion air supply needs to be provided when taking the combustion air from the room.
- In case the windows and doors are sealed, fresh air supply may not be ensured. This can affect the draught of the stove and it can also unfavourably affect your sense of well-being or even your safety.
- Vapour extractors located in the same room as the stove may adversely affect its function (smoke can escape into an occupied room although the stove door is closed) and must therefore not be operated at the same time as the stove unless the air supply is provided via an open window.
- The stove has the possibility of supplying combustion air from the central air duct via a 99 mm diameter connection neck. The connection neck is located at the bottom of the stove under the fireplace. To ensure a central air supply, the duct must not be longer than 3 m and have too many bends. The minimum duct diameter is 80 mm.
- The central air duct must be led outdoors or into a well-ventilated room inside the building (cellar, utility room, etc.).

Cleaning and Inspection

- The stove and flue pipes must be inspected once a year – or more frequently, for example, when the chimney is cleaned to check for any soot and to clean them if needed.
- The chimney needs to be cleaned regularly by a chimney sweeper.
- Before the heating season, thoroughly clean the entire fireplace from ash and soot with a brush or a vacuum cleaner. Ensure that ash fallen between the fireplace walls and the grate is removed while a small gap is left to allow the materials to dilate during long-term use in the heating season.
- Never use abrasive products to clean the glass or metal parts as this may cause damage. The glass can only be cleaned if the stove is cold.
- The surface of the stove can be cleaned with a damp cloth or if necessary, with a mild soap solution.

The fireplace can be accessed for cleaning, please follow the below procedure



1.



2.



3.



4.



5.



6.



7.



8.



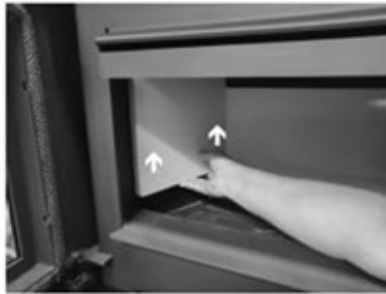
9.

Cleaning and Inspection

Unit assembly process continued.



10.



11.



12.



13.



14.



15.



16.



17.

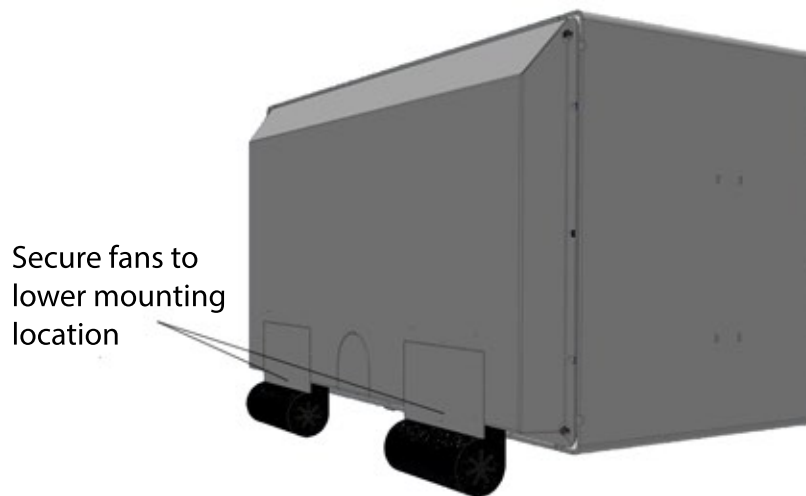


18.

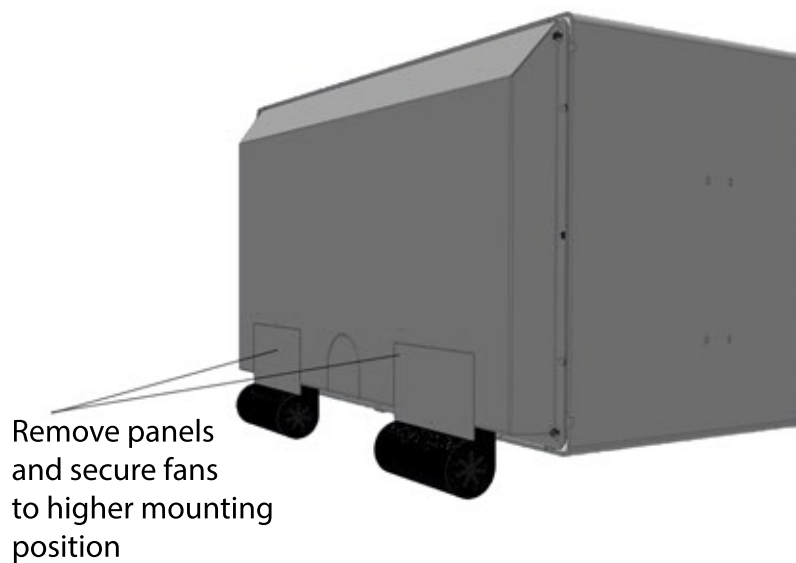
Installing Optional Rear Fans

Optional fans can be installed in two locations depending on how the unit is being installed, the lower location can be used when the unit is being installed on the optional base. If you wish to install the unit on raised hearth, the higher fan mounting location can be used.

Option 1 Optional Base



Option 2 Raised Hearth



Installing Optional Rear Fans

Optional fans require a standard double 240v GPO situated on the wall directly behind the fireplace.



Optional fans must not be used within 45 minutes of starting the fireplace, this allows the firebox to warm up prior to heat being pulled from the heat exchanger. Using the optional fans prior will reduce the heat output of the fire and delay the warm up process dramatically.



**Please Note - Fans must be switched off when the fireplace door is opened
Failure to do so may result in smoke being blown into the room.**



VisionLINE Fireplace Systems
P.O. Box 5051 Burnley, 3121
Phone: (03)9429 5573
Email: info@visionlinefire.com.au
Web: visionlinefire.com.au