

TC950 - Inbuilt Wood Fireplace

Information Sheet for Builders and Architects

FIRE BY **escea.**

SPECIFICATIONS

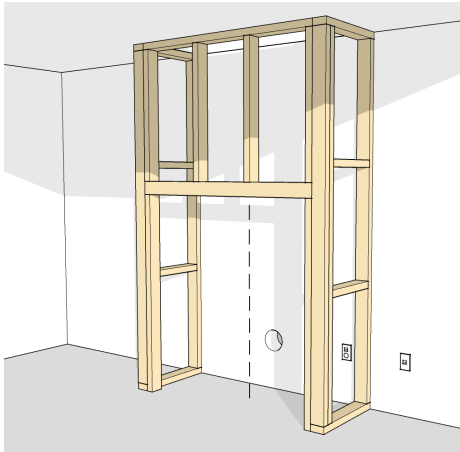
Est. Heating Area	150-220m ²
Efficiency	62%
Average Particulate Emission	1.00g/kg
Appliance Weight/ZCK Weight	185kg/103kg (combined weight = 288kg)
Fuel Type	Hardwood
Maximum Log Size	750mm
Clean Air Approved	Yes (to AS/NZS 4012:2014 & AS/NZS 4013:2014)
Compliance	Clearance tested to AS/NZS 2918:2018
Power Requirement	3 Pin 10A 240V power supply
Damper Control	Yes - top right of the appliance
Flue Type	Natural Draught - Direct Vent *
Flue Size	150mm Inner/200mm Outer/250mm outer
Flue Length (minimum)	4.5m - from the top of the appliance
Combustion Air Intake	External



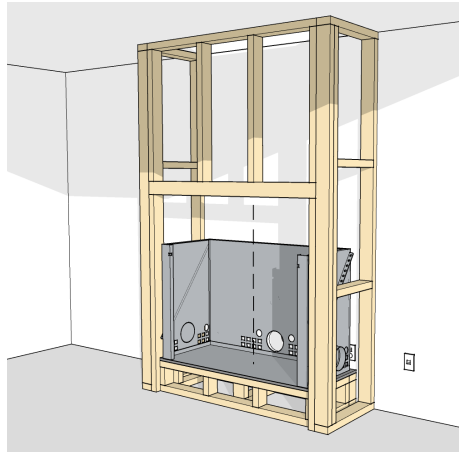
Heat Shield	Not required
Glass Wash	Yes
Fire Bricks	Vermiculite
Convection Fan	Yes - Thermostatically Controlled
Room Ventilation	See Ventilation section over page
Wetback	Prohibited

*Please refer to TC950 Flue Specification Guide for further guidance.

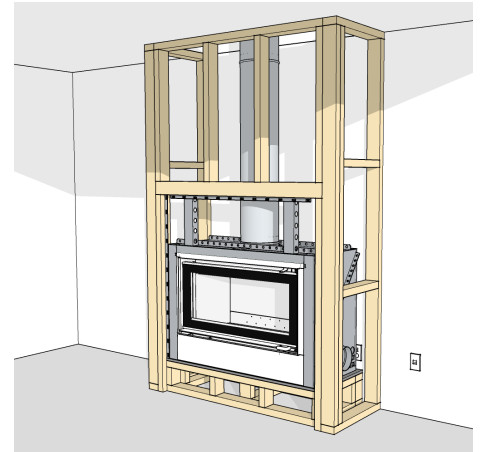
INSTALLATION



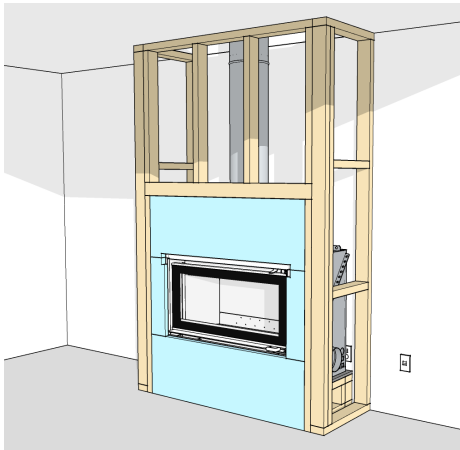
A location is selected with electrical supply adjacent. Allow for an isolation switch outside the cavity. Obtain flue centreline to ensure the flue run is clear from obstructions. Build the framework to the required dimensions and provide the ventilation inlet hole to the exterior.



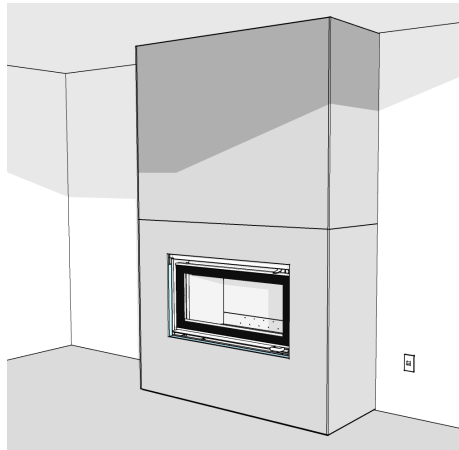
Install the structural base for the fireplace **40mm** behind the face of the timber framing. Build the sides, base and rear of the Zero Clearance Kit and install into the cavity.



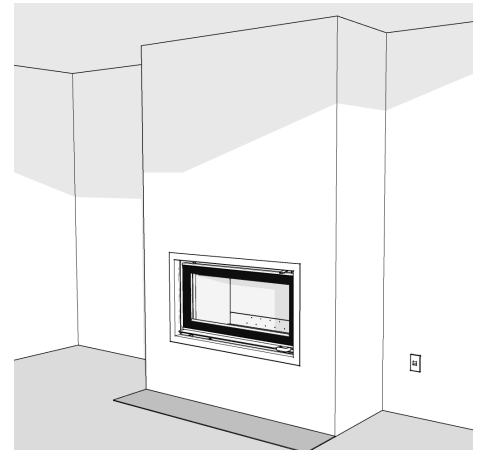
Install the fireplace on the base or structure following the TC950 Installation Manual. Restrain the fire to its base. Fit the top panel and standoffs for the Zero Clearance Kit. Install the Skamotec fixing brackets to the perimeter of the cavity opening.



Install the flue and liners to the correct configuration and height. Cut, prime, and fix the Skamotec panels in place.



Fix the fibre cement sheet substrate to the framework.



Complete the installation by installing the remaining fireplace components, apply any finishes to the walls, and install the floor protector or hearth.

TC950 - Inbuilt Wood Fireplace

Information Sheet for Builders and Architects

FIRE BY **escea.**

FIREPLACE BASE

The TC950 Fireplace must be installed a minimum of **235mm** above the finished level of a combustible surface. The upper surface of the base should be continuous and adequate to support the load of the appliance and flue system above.

FLOOR PROTECTOR

A floor protector of a suitable non-combustible and heat resistant material is required when the fireplace base is at **235mm or more above** a combustible floor. The floor protector depth is measured from the opening of the fireplace, must be continuous, and have the dimensions of: **1380mm W x 300mm D**. To reduce the 235mm clearance from a combustible floor to the fireplace base, an insulating, heat resistant hearth complying with *AS/NZS 2918* must be installed.

MANTEL/TV

A combustible or heat sensitive mantel must be located a minimum of **500mm** above the fireplace opening, a minimum of **300mm** from the side of the fireplace opening, and project no more than **100mm** from the wall. Non-combustible and heat resistant mantels can be located at any height. Electrical equipment, including TV's, above the fireplace are not recommended. Contact an Escea Architectural Advisor for further guidance.

APPLIANCE

Appliance Width (A)	1050mm
Appliance Height (B)	746mm
Appliance Depth (C)	423mm
Zero Clearance Kit Width (D)	1260mm
Zero Clearance Kit Height (E)	1143mm
Zero Clearance Kit Depth (F)	530mm
Firebox Opening Size	871mm W x 368mm H
Glass Viewing Area	940mm W x 449mm H
Door Handle Height off Base	235mm
Damper Control Handle Height off Base	700mm
Ash Lip Height off Base	308mm
Flue Centreline to Rear of ZCK	277mm
Flue Centreline to Side of ZCK	631mm
Intake Vent Height off Base of ZCK	110mm

CAVITY CLEARANCES

Minimum Cavity Width (A)	1534mm
Minimum Cavity Depth (B)	570mm
Minimum Cavity Height (C)	2400mm
Cavity Opening Width (D)	1264mm
Cavity Opening Height (E)	1378mm
Convection Air Intake Hole (F)	345mm

The Zero Clearance Kit must be used when installing the TC950 Fireplace into a combustible cavity or structure. All clearances are prescribed for their proximity to adjacent combustible and heat sensitive materials, including timber framed walls. Objects placed in front of the fireplace should maintain a safe distance. Materials handle heat differently and it is recommended to keep all objects a minimum of 1.2m from the fireplace. It is recommended that only AHHA approved/accredited tradespeople should be used to install this fireplace.

VENTILATION

Ventilation of the Zero Clearance Kit is required. Inlet air* is directed to the ZCK one of three ways, with the outlet through the 250mm outer flue liner:

Option 1 - Venting directly from outside (preferred method).

Option 2 - Venting from the roof space. Only suitable for single story buildings with ceiling heights 2.7m or less.

Option 3 - Venting from the room in which the fireplace is located (not preferred).

*Vent size equivalent to 150mm Ø hole or 17675mm²

FINISHING

Two finish options are available for the TC950 Fireplace. The correct selection of a finishing trim or fascia depends on the type of wall finish or cladding used.

Frameless Trim - For use with non-combustible and heat resistant finishes that will project past the face of the trim.

Linear Fascia - Designed for monolithic, paint or plaster finishes. The fascia is designed to overlap the wall finish at the fireplace opening.

*Refer to the *TC950 Fascia Detail Sheet* and *TC950 Finish Details*

