

An advertisement for Jetmaster Fireplaces Australia. The background is a photograph of an outdoor patio at dusk. On the right, a stone fireplace with a fire burning inside is illuminated. On the left, there is a lounge area with a striped umbrella and tropical plants. The Jetmaster logo is centered in the lower half of the image.

***Jetmaster***  
*Fireplaces Australia*

OUTDOOR RANGE



**HORIZON**  
FIREPLACES

## ENJOY THE GREAT OUTDOORS

If you love outdoor dining and entertaining then a gas or wood Jetmaster fireplace is the perfect addition to any alfresco area. The fireplace can also be used as a barbecue helping you enjoy your outdoor living year round.





## PATIO HORIZON ISLAND

The Patio horizon Island is a stunning feature for any outdoor area. Its Rectangular crystal fire burners are made from high quality 304 stainless steel and includes tempered glass, with 4 different styles and colors to choose from and 1 drift wood log set option. It also comes with a contemporary lightweight concrete top.

The steel base can either be used as its own feature or you have the option to clad with any weather proof product.

### FEATURES

- Weather proof 304 Stainless steel burner
- Natural or LPG gas
- Weather proof cement top
- Glass safety screen
- Outdoor use only
- 4 glass media options
- 1 driftwood log set option

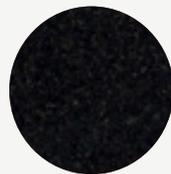
### TABLE TOP COLOURS



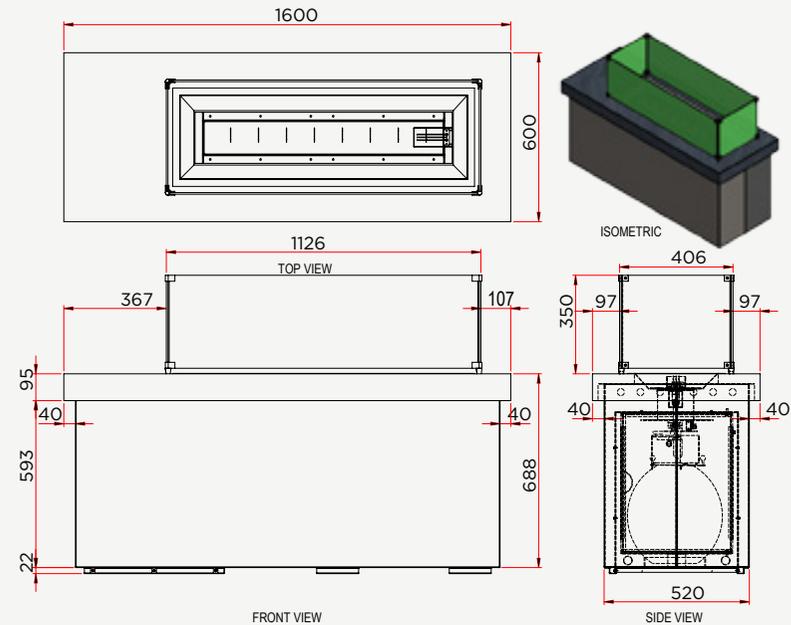
WHITE  
CEMENT



GREY SAND  
CEMENT



GRANITE





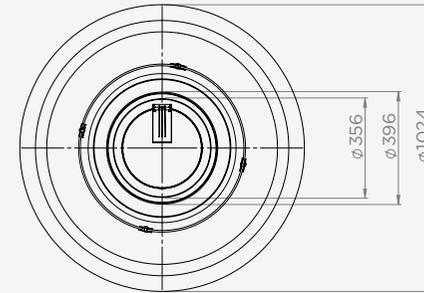
## PATIO HORIZON ONYX

The Patio Horizon Onyx will be the center piece of you outdoor entertainment area, with its architectural design fully spun laser cut steel top and base and the amazing round 304 S/S fully welded burner that gives a spectacular flame and breathtaking radiant heat.

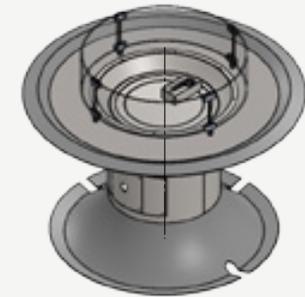
Choose from a range of media options to create the look that suits you.

### FEATURES

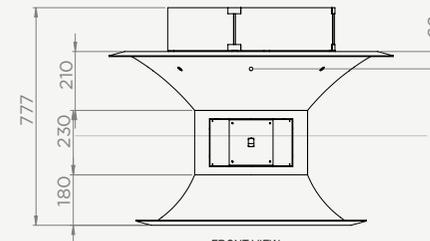
- Weather proof 304 Stainless steel burner
- Natural or LPG gas
- Fully spun contemporary steel top and base
- Glass safety screen
- Outdoor use only
- 4 glass media options
- 1 driftwood log set option



TOP VIEW



ISOMETRIC



FRONT VIEW

### MEDIA OPTIONS FOR HORIZON ISLAND, ONYX AND PANORAMIC



WHITE  
LOGSET



GLASS  
BEADS



GLASS  
DIAMOND



3D  
PELLET



TEMPERED  
GLASS



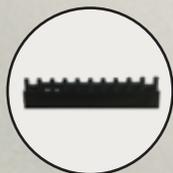
GLASS  
ICECUBE



GLASS  
ICECUBE

# JETMASTER OPEN WOOD OUTDOOR

WOOD BURNING OPTIONAL LOG PANS



Standard logpan with picket front



Optional clean face log pan



Log pan with optional alfresco cook top



Optional Outdoor Screen



# CRYSTAL FIRE BURNERS

## CUSTOM GAS FIRE PITS

Crystal Fire Burners are made from high quality stainless steel and include tempered glass gems and ignition controls. All standard burners are Australian Gas Approved for safety and quality. They work our line of fire pit tables or can be purchased separately for custom-built fire pits and projects.

Crystal Fire™ Burners run for up to 8 plus hours using 9kg propane tank or can be hooked up to a natural gas line. With just the push of a button, a beautiful clean-burning fire appears atop a bed of tempered glass fire gems.

## FEATURES

- Available for Natural Gas and LPG
- 1 year warranty or ignition
- Limited Lifetime Warranty on stainless steel
- Electronic battery operated ignition, or 240 Volt
- Can be purchased individually to be used for custom-built projects
- Glass guard to enhance flame
- Includes: LP hose and regulator, metal flex hose, ball valve, push button sparker system
- Can be installed in open weather areas

| DESCRIPTION            | MODEL #      | DEPTH | DIAMETER | WEIGHT | Mj/hr |
|------------------------|--------------|-------|----------|--------|-------|
| 20 Crystal Fire Burner | CF-20-LP-DIY | 152mm | 534mm    | 4.1kg  | 63    |

| DESCRIPTION                | MODEL #     | DEPTH | WIDTH | LENGTH | WEIGHT | Mj/hr |
|----------------------------|-------------|-------|-------|--------|--------|-------|
| 12x42" Crystal Fire Burner | CF-1242-DIY | 118mm | 345mm | 1086mm | 5.5kg  | 63    |



CF-20\_LP-DI



CF-1242-DIY



## PATIO HORIZON PANORAMIC

The Patio Horizon Outdoor gas fire will add an amazing feature to your outdoor space. No flue is necessary so it's easy to install, and with the flick of a switch, you can create a warm ambient setting.

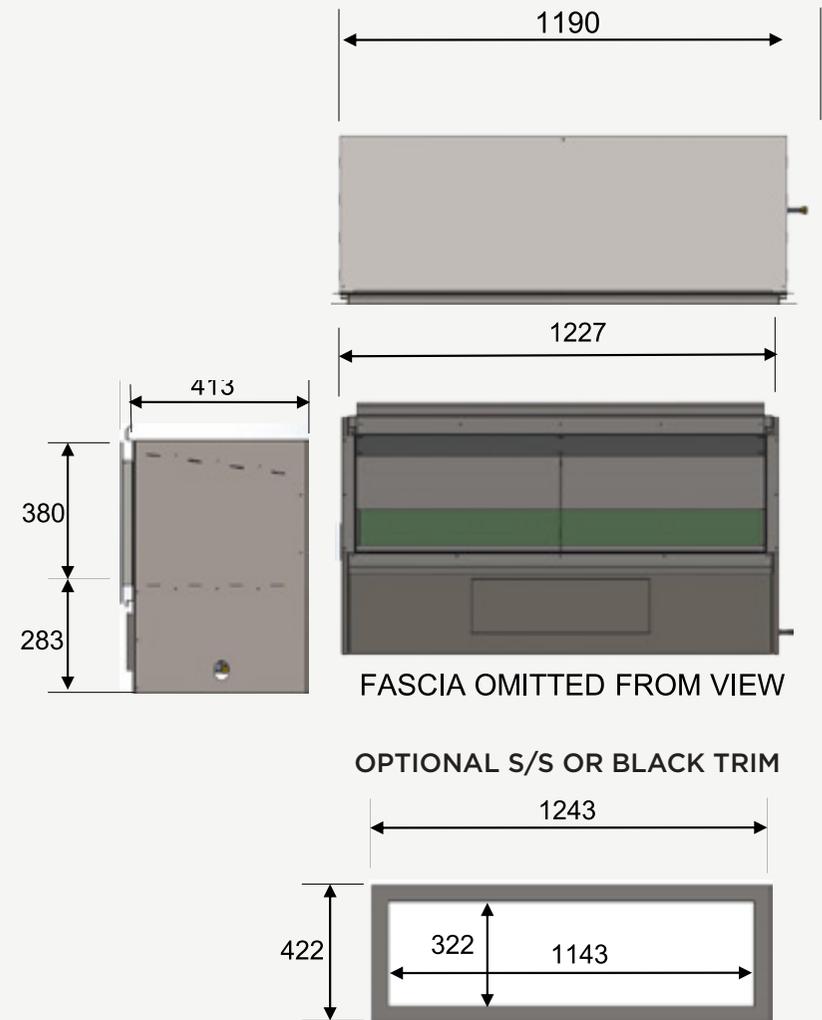
Extend your outdoor entertainment season by enjoying the radiant heat and ambiance created on those cooler Autumn and Spring months

The Panoramic comes standard with porcelain liners this gives a mesmerizing reflection of flame on all three sides enhancing the already impressive flame.

### FEATURES

- Natural and LPG gas
- Child safety screen (optional)
- Electronic Ignition Battery or 240 Volt
- Stainless seamless welded burner.
- Porcelain Lined
- Wall switch
- No flue required
- Outdoor use only
- 4 glass media options
- 1 driftwood option

| A    | B    | C   | D   | E   | F   | G   | H   |
|------|------|-----|-----|-----|-----|-----|-----|
| 1190 | 1227 | 513 | 441 | 230 | 111 | 402 | 495 |





## CONTRACTOR

---

The Contractor range of built in BBQ's will add a new dimension to your entertainment area around which friends and family can gather.

Usable as an outdoor fire aswell as a BBQ, the timeless design will enhance your patio and easily blend with your outdoor entertainment living area.

### INCLUDES



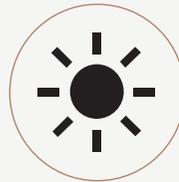
NICKEL  
PLATED GRILL



CHARCOAL  
STARTER  
TRAY



CAST IRON  
STEWING  
POT HOOK



OPTIONAL  
LIGHT FITTING

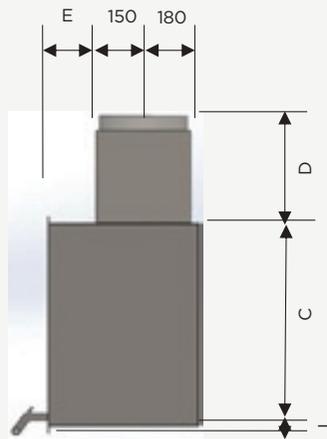
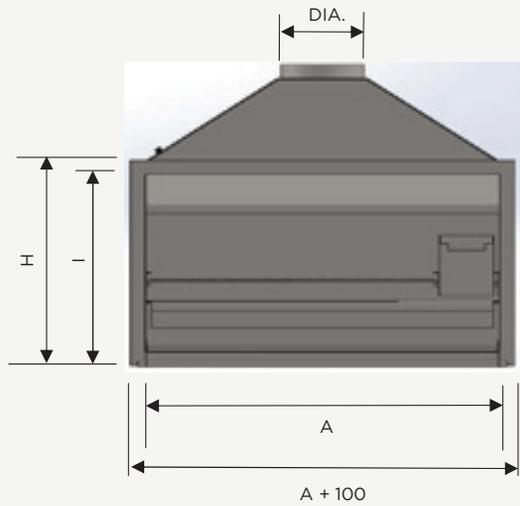
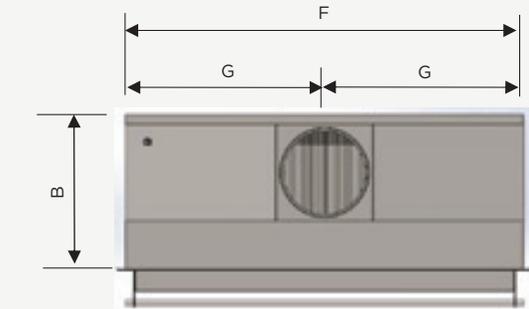


SLIDING DOOR



Jetmaster

V



Pictured: Jetmaster built in BBQ & outdoor fire with closed door

FLUE SIZE

| MODEL | A    | B   | C   | D   | E   | F    | G     | H   | I   | J  | DIA   |
|-------|------|-----|-----|-----|-----|------|-------|-----|-----|----|-------|
| 1000  | 1000 | 475 | 710 | 240 | 148 | 1045 | 522.5 | 750 | 700 | 23 | 254   |
| 1200  | 1200 | 475 | 710 | 325 | 148 | 1248 | 622.5 | 776 | 776 | 25 | 279.4 |



## NOTES

---

---

---

---

---

---

---

---

**Reliability | Innovation | Service | Quality**

For the entire Jetmaster range, visit your nearest showroom  
[jetmaster.com.au](http://jetmaster.com.au) | 1300 538 627

NSW - 55 Marrickville Road Marrickville 2204

QLD - 13 French Ave Brendale 4500

S.A - 40 Maple Ave Forestville 5035

W.A - 277 Lord Street Perth 6000

VIC - [www.jetmaster.com.au](http://www.jetmaster.com.au)